

# 1Gb I-die DDR3 SDRAM<sub>x16</sub> only

96FBGA with Lead-Free & Halogen-Free  
(RoHS compliant)

## datasheet

SAMSUNG ELECTRONICS RESERVES THE RIGHT TO CHANGE PRODUCTS, INFORMATION AND SPECIFICATIONS WITHOUT NOTICE.

Products and specifications discussed herein are for reference purposes only. All information discussed herein is provided on an "AS IS" basis, without warranties of any kind.

This document and all information discussed herein remain the sole and exclusive property of Samsung Electronics. No license of any patent, copyright, mask work, trademark or any other intellectual property right is granted by one party to the other party under this document, by implication, estoppel or otherwise.

Samsung products are not intended for use in life support, critical care, medical, safety equipment, or similar applications where product failure could result in loss of life or personal or physical harm, or any military or defense application, or any governmental procurement to which special terms or provisions may apply.

For updates or additional information about Samsung products, contact your nearest Samsung office.

All brand names, trademarks and registered trademarks belong to their respective owners.

(c) 2016 Samsung Electronics Co., Ltd. All rights reserved.

## Revision History

| <u>Revision No.</u> | <u>History</u>               | <u>Draft Date</u> | <u>Remark</u> | <u>Editor</u> |
|---------------------|------------------------------|-------------------|---------------|---------------|
| 1.0                 | - First spec release         | 16th Feb. 2016    | -             | J.Y. Lee      |
| 1.1                 | - Change of IDD5B on page 38 | 29th Mar. 2016    | -             | J.Y. Lee      |

## Table Of Contents

### 1Gb I-die DDR3 SDRAM x16 only

|   |    |
|---|----|
| 1. Ordering Information .....   | 5  |
| 2. Key Features.....  | 5  |
| 3. Package pinout/Mechanical Dimension & Addressing.....  | 6  |
| 3.1 x16 Package Pinout (Top view) : 96ball FBGA Package .....   | 6  |
| 3.2 FBGA Package Dimension (x16).....   | 7  |
| 4. Input/Output Functional Description.....   | 8  |
| 5. DDR3 SDRAM Addressing .....  | 9  |
| 6. Absolute Maximum Ratings .....   | 10 |
| 6.1 Absolute Maximum DC Ratings.....  | 10 |
| 6.2 DRAM Component Operating Temperature Range .....  | 10 |
| 7. AC & DC Operating Conditions.....  | 10 |
| 7.1 Recommended DC operating Conditions (SSTL_1.5).....   | 10 |
| 8. AC & DC Input Measurement Levels.....  | 11 |
| 8.1 AC & DC Logic input levels for single-ended signals .....   | 11 |
| 8.2 VREF Tolerances .....   | 13 |
| 8.3 AC & DC Logic Input Levels for Differential Signals.....  | 14 |
| 8.3.1. Differential signals definition .....  | 14 |
| 8.3.2. Differential swing requirement for clock (CK - $\overline{CK}$ ) and strobe (DQS - $\overline{DQS}$ )..... | 14 |
| 8.3.3. Single-ended requirements for differential signals .....   | 15 |
| 8.4 Differential Input Cross Point Voltage.....   | 16 |
| 8.5 Slew rate definitions for Differential Input Signals .....  | 17 |
| 9. AC & DC Output Measurement Levels .....  | 18 |
| 9.1 Single-ended AC & DC Output Levels.....   | 18 |
| 9.2 Differential AC & DC Output Levels.....   | 18 |
| 9.3 Single-ended Output Slew Rate .....   | 18 |
| 9.4 Differential Output Slew Rate .....   | 19 |
| 9.5 Reference Load for AC Timing and Output Slew Rate.....  | 19 |
| 9.6 Overshoot/Undershoot Specification .....  | 20 |
| 9.6.1. Address and Control Overshoot and Undershoot specifications.....   | 20 |
| 9.6.2. Clock, Data, Strobe and Mask Overshoot and Undershoot Specifications .....                                 | 21 |
| 9.7 34ohm Output Driver DC Electrical Characteristics.....  | 22 |
| 9.7.1. Output Drive Temperature and Voltage Sensitivity .....   | 23 |
| 9.8 On-Die Termination (ODT) Levels and I-V Characteristics.....  | 23 |
| 9.8.1. ODT DC Electrical Characteristics .....  | 24 |
| 9.8.2. ODT Temperature and Voltage sensitivity .....  | 25 |
| 9.9 ODT Timing Definitions .....  | 26 |
| 9.9.1. Test Load for ODT Timings.....   | 26 |
| 9.9.2. ODT Timing Definitions .....   | 26 |
| 10. IDD Current Measure Method .....  | 29 |
| 10.1 IDD Measurement Conditions .....   | 29 |
| 11. 1Gb DDR3 SDRAM I-die IDD Specification Table.....   | 38 |
| 12. Input/Output Capacitance .....  | 39 |
| 13. Electrical Characteristics and AC timing for DDR3-800 to DDR3-2133.....                                       | 40 |
| 13.1 Clock Specification .....  | 40 |
| 13.1.1. Definition for tCK(avg).....  | 40 |
| 13.1.2. Definition for tCK(abs).....  | 40 |
| 13.1.3. Definition for tCH(avg) and tCL(avg).....   | 40 |
| 13.1.4. Definition for note for tJIT(per), tJIT(per, lck).....  | 40 |
| 13.1.5. Definition for tJIT(cc), tJIT(cc, lck) .....  | 40 |
| 13.1.6. Definition for tERR(nper).....  | 40 |
| 13.2 Refresh Parameters by Device Density.....  | 41 |
| 13.3 Speed Bins and CL, tRCD, tRP, tRC and tRAS for corresponding Bin .....                                       | 41 |
| 13.3.1. Speed Bin Table Notes .....   | 46 |

14. Timing Parameters by Speed Grade .....47

14.1 Jitter Notes ..... 53

14.2 Timing Parameter Notes..... 54

14.3 Address/Command Setup, Hold and Derating : ..... 55

14.4 Data Setup, Hold and Slew Rate Derating : ..... 62

# 1. Ordering Information

[ Table 1 ] Samsung 1Gb DDR3 I-die ordering information table

| Organization | DDR3-1600 (11-11-11) | DDR3-1866 (13-13-13) <sup>4</sup> | DDR3-2133 (14-14-14) <sup>3</sup> | Package |
|--------------|----------------------|-----------------------------------|-----------------------------------|---------|
| 64Mx16       | K4B1G1646I-BCK0      | K4B1G1646I-BCMA                   | K4B1G1646I-BCNB                   | 96FBGA  |

**NOTE :**

- Speed bin is in order of CL-tRCD-tRP.
- 13th digit stands for below.  
"C" : Commercial temp/Normal power
- Backward compatible to DDR3-1866(13-13-13), DDR3-1600(11-11-11), DDR3-1333(9-9-9)
- Backward compatible to DDR3-1600(11-11-11), DDR3-1333(9-9-9)

# 2. Key Features

[ Table 2 ] 1Gb DDR3 I-die Speed bins

| Speed       | DDR3-1066 | DDR3-1333 | DDR3-1600 | DDR3-1866 | DDR3-2133 | Unit |
|-------------|-----------|-----------|-----------|-----------|-----------|------|
|             | 7-7-7     | 9-9-9     | 11-11-11  | 13-13-13  | 14-14-14  |      |
| tCK(min)    | 1.875     | 1.5       | 1.25      | 1.071     | 0.938     | ns   |
| CAS Latency | 7         | 9         | 11        | 13        | 14        | nCK  |
| tRCD(min)   | 13.125    | 13.5      | 13.75     | 13.91     | 13.09     | ns   |
| tRP(min)    | 13.125    | 13.5      | 13.75     | 13.91     | 13.09     | ns   |
| tRAS(min)   | 37.5      | 36        | 35        | 34        | 33        | ns   |
| tRC(min)    | 50.625    | 49.5      | 48.75     | 47.91     | 46.09     | ns   |

- JEDEC standard 1.5V ± 0.075V Power Supply
- V<sub>DDQ</sub> = 1.5V ± 0.075V
- 533MHz f<sub>CK</sub> for 1066Mb/sec/pin, 667MHz f<sub>CK</sub> for 1333Mb/sec/pin, 800MHz f<sub>CK</sub> for 1600Mb/sec/pin, 933 MHz f<sub>CK</sub> for 1866Mb/sec/pin, 1066 MHz f<sub>CK</sub> for 2133Mb/sec/pin
- 8 Banks
- Programmable CAS Latency(posted CAS): 5, 6, 7, 8, 9, 10, 11, 12, 13, 14
- Programmable Additive Latency: 0, CL-2 or CL-1 clock
- Programmable CAS Write Latency (CWL) = 6 (DDR3-1066), 7 (DDR3-1333), 8 (DDR3-1600), 9 (DDR3-1866), 10 (DDR3-2133)
- 8-bit pre-fetch
- Burst Length: 8 (Interleave without any limit, sequential with starting address "000" only), 4 with t<sub>CCD</sub> = 4 which does not allow seamless read or write [either On the fly using A12 or MRS]
- Bi-directional Differential Data-Strobe
- Internal(self) calibration : Internal self calibration through ZQ pin (RZQ : 240 ohm ± 1%)
- On Die Termination using ODT pin
- Average Refresh Period 7.8us at lower than T<sub>CASE</sub> 85°C, 3.9us at 85°C < T<sub>CASE</sub> ≤ 95 °C
- Asynchronous Reset
- Package : 96 balls FBGA - x16
- All of Lead-Free products are compliant for RoHS
- All of products are Halogen-free

The 1Gb DDR3 SDRAM I-die is organized as a 8Mbit x 16 I/Os x 8banks device. This synchronous device achieves high speed double-data-rate transfer rates of up to 2133Mb/sec/pin(DDR3-2133)for general applications. The chip is designed to comply with the following key DDR3 SDRAM features such as posted CAS, Programmable CWL, Internal (Self) Calibration, On Die Termination using ODT pin and Asynchronous Reset .

All of the control and address inputs are synchronized with a pair of externally supplied differential clocks. Inputs are latched at the crosspoint of differential clocks (CK rising and  $\overline{CK}$  falling). All I/Os are synchronized with a pair of bidirectional strobes (DQS and  $\overline{DQS}$ ) in a source synchronous fashion. The address bus is used to convey row, column, and bank address information in a  $\overline{RAS}/\overline{CAS}$  multiplexing style. The DDR3 device operates with a single 1.5V ± 0.075V power supply and 1.5V ± 0.075V V<sub>DDQ</sub>.

The 1Gb DDR3 I-die device is available in 96ball FBGA(x16).

- NOTE :**
- This data sheet is an abstract of full DDR3 specification and does not cover the common features which are described in "DDR3 SDRAM Device Operation & Timing Diagram".
  - The functionality described and the timing specifications included in this data sheet are for the DLL Enabled mode of operation.

### 3. Package pinout/Mechanical Dimension & Addressing

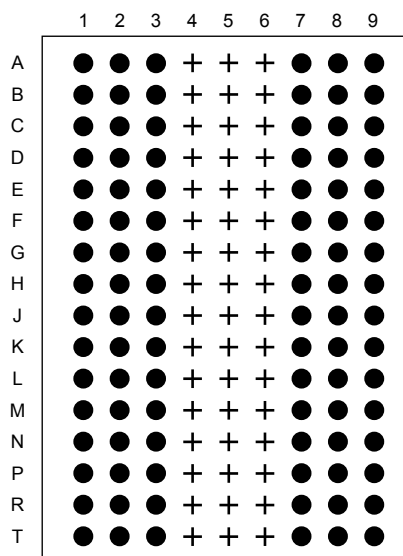
#### 3.1 x16 Package Pinout (Top view) : 96ball FBGA Package

|   | 1                  | 2                         | 3                        | 4 | 5 | 6 | 7                               | 8                  | 9                |   |
|---|--------------------|---------------------------|--------------------------|---|---|---|---------------------------------|--------------------|------------------|---|
| A | V <sub>DDQ</sub>   | DQU5                      | DQU7                     |   |   |   | DQU4                            | V <sub>DDQ</sub>   | V <sub>SS</sub>  | A |
| B | V <sub>SSQ</sub>   | V <sub>DD</sub>           | V <sub>SS</sub>          |   |   |   | $\overline{\text{DQS}}\text{U}$ | DQU6               | V <sub>SSQ</sub> | B |
| C | V <sub>DDQ</sub>   | DQU3                      | DQU1                     |   |   |   | DQSU                            | DQU2               | V <sub>DDQ</sub> | C |
| D | V <sub>SSQ</sub>   | V <sub>DDQ</sub>          | DMU                      |   |   |   | DQU0                            | V <sub>SSQ</sub>   | V <sub>DD</sub>  | D |
| E | V <sub>SS</sub>    | V <sub>SSQ</sub>          | DQL0                     |   |   |   | DML                             | V <sub>SSQ</sub>   | V <sub>DDQ</sub> | E |
| F | V <sub>DDQ</sub>   | DQL2                      | DQSL                     |   |   |   | DQL1                            | DQL3               | V <sub>SSQ</sub> | F |
| G | V <sub>SSQ</sub>   | DQL6                      | $\overline{\text{DQSL}}$ |   |   |   | V <sub>DD</sub>                 | V <sub>SS</sub>    | V <sub>SSQ</sub> | G |
| H | V <sub>REFDQ</sub> | V <sub>DDQ</sub>          | DQL4                     |   |   |   | DQL7                            | DQL5               | V <sub>DDQ</sub> | H |
| J | NC                 | V <sub>SS</sub>           | $\overline{\text{RAS}}$  |   |   |   | CK                              | V <sub>SS</sub>    | NC               | J |
| K | ODT                | V <sub>DD</sub>           | $\overline{\text{CAS}}$  |   |   |   | $\overline{\text{CK}}$          | V <sub>DD</sub>    | CKE              | K |
| L | NC                 | $\overline{\text{CS}}$    | $\overline{\text{WE}}$   |   |   |   | A10/AP                          | ZQ                 | NC               | L |
| M | V <sub>SS</sub>    | BA0                       | BA2                      |   |   |   | NC                              | V <sub>REFCA</sub> | V <sub>SS</sub>  | M |
| N | V <sub>DD</sub>    | A3                        | A0                       |   |   |   | A12/ $\overline{\text{BC}}$     | BA1                | V <sub>DD</sub>  | N |
| P | V <sub>SS</sub>    | A5                        | A2                       |   |   |   | A1                              | A4                 | V <sub>SS</sub>  | P |
| R | V <sub>DD</sub>    | A7                        | A9                       |   |   |   | A11                             | A6                 | V <sub>DD</sub>  | R |
| T | V <sub>SS</sub>    | $\overline{\text{RESET}}$ | NC                       |   |   |   | NC                              | A8                 | V <sub>SS</sub>  | T |

#### Ball Locations (x16)

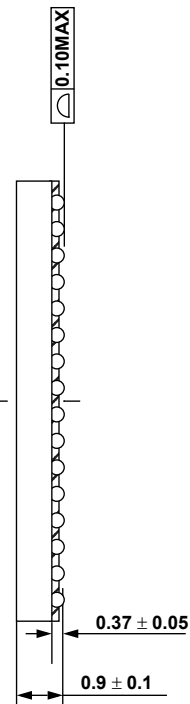
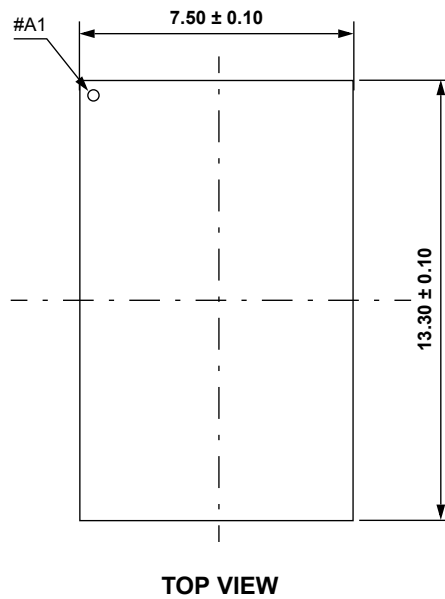
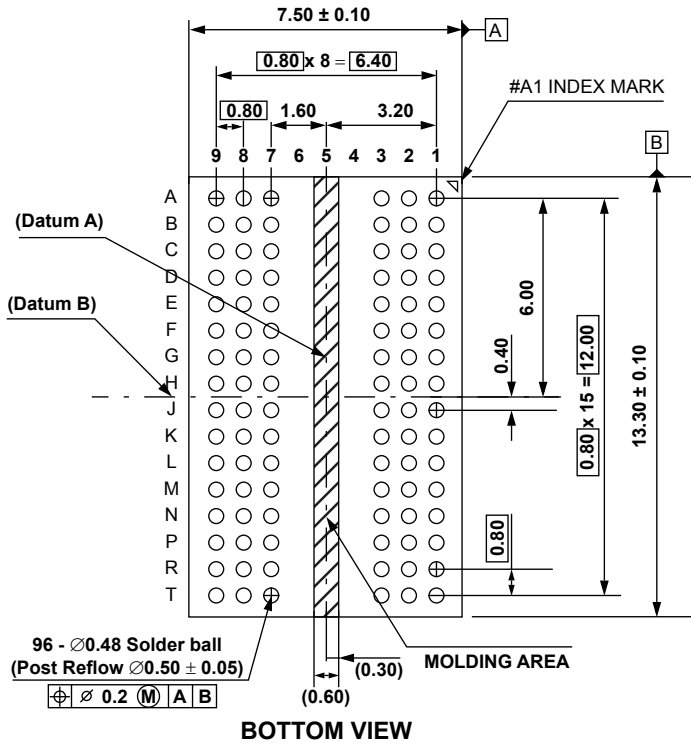
- Populated ball
- + Ball not populated

Top view  
(See the balls through the package)



### 3.2 FBGA Package Dimension (x16)

Units : Millimeters



## 4. Input/Output Functional Description

[ Table 3 ] Input/Output function description

| Symbol  | Type         | Function  |
|---|--------------|---|
| CK, $\overline{CK}$                                   | Input        | <b>Clock:</b> CK and $\overline{CK}$ are differential clock inputs. All address and control input signals are sampled on the crossing of the positive edge of CK and negative edge of $\overline{CK}$ . Output (read) data is referenced to the crossings of CK and $\overline{CK}$ .   |
| CKE   | Input        | <b>Clock Enable:</b> CKE HIGH activates, and CKE Low deactivates, internal clock signals and device input buffers and output drivers. Taking CKE Low provides Precharge Power-Down and Self Refresh operation (all banks idle), or Active Power-Down (Row Active in any bank). CKE is asynchronous for self refresh exit. After $V_{REFCA}$ has become stable during the power on and initialization sequence, it must be maintained during all operations (including Self-Refresh). CKE must be maintained high throughout read and write accesses. Input buffers, excluding CK, $\overline{CK}$ , ODT and CKE are disabled during power-down. Input buffers, excluding CKE, are disabled during Self-Refresh. |
| $\overline{CS}$                                       | Input        | <b>Chip Select:</b> All commands are masked when $\overline{CS}$ is registered HIGH. $\overline{CS}$ provides for external Rank selection on systems with multiple Ranks. $\overline{CS}$ is considered part of the command code.   |
| ODT   | Input        | <b>On Die Termination:</b> ODT (registered HIGH) enables termination resistance internal to the DDR3 SDRAM. When enabled, ODT is only applied to each DQ, DQS, $\overline{DQS}$ and DM/TDQS, NU/ $\overline{TDQS}$ (When TDQS is enabled via Mode Register A11=1 in MR1) signal for x8 configurations. The ODT pin will be ignored if the Mode Register (MR1) is programmed to disable ODT.   |
| $\overline{RAS}$ , $\overline{CAS}$ , $\overline{WE}$ | Input        | <b>Command Inputs:</b> $\overline{RAS}$ , $\overline{CAS}$ and $\overline{WE}$ (along with $\overline{CS}$ ) define the command being entered.  |
| DM (DMU), (DML)                                       | Input        | <b>Input Data Mask:</b> DM is an input mask signal for write data. Input data is masked when DM is sampled HIGH coincident with that input data during a Write access. DM is sampled on both edges of DQS. For x8 device, the function of DM or TDQS/ $\overline{TDQS}$ is enabled by Mode Register A11 setting in MR1.   |
| BA0 - BA2   | Input        | <b>Bank Address Inputs:</b> BA0 - BA2 define to which bank an Active, Read, Write or Precharge command is being applied. Bank address also determines if the mode register or extended mode register is to be accessed during a MRS cycle.  |
| A0 - A12  | Input        | <b>Address Inputs:</b> Provided the row address for Active commands and the column address for Read/Write commands to select one location out of the memory array in the respective bank. (A10/AP and A12/BC have additional functions, see below)<br>The address inputs also provide the op-code during Mode Register Set commands.  |
| A10 / AP  | Input        | <b>Autoprecharge:</b> A10 is sampled during Read/Write commands to determine whether Autoprecharge should be performed to the accessed bank after the Read/Write operation. (HIGH:Autoprecharge; LOW: No Autoprecharge)<br>A10 is sampled during a Precharge command to determine whether the Precharge applies to one bank (A10 LOW) or all banks (A10 HIGH). if only one bank is to be precharged, the bank is selected by bank addresses.  |
| A12 / $\overline{BC}$                                 | Input        | <b>Burst Chop:</b> A12 is sampled during Read and Write commands to determine if burst chop(on-the-fly) will be performed. (HIGH : no burst chop, LOW : burst chopped). See command truth table for details   |
| $\overline{RESET}$                                    | Input        | <b>Active Low Asynchronous Reset:</b> Reset is active when $\overline{RESET}$ is LOW, and inactive when $\overline{RESET}$ is HIGH. $\overline{RESET}$ must be HIGH during normal operation. $\overline{RESET}$ is a CMOS rail to rail signal with DC high and low at 80% and 20% of $V_{DD}$ , i.e. 1.20V for DC high and 0.30V for DC low.  |
| DQ  | Input/Output | <b>Data Input/ Output:</b> Bi-directional data bus.   |
| DQS, ( $\overline{DQS}$ )                             | Input/Output | <b>Data Strobe:</b> Output with read data, input with write data. Edge-aligned with read data, centered in write data. For the x16, DQSL: corresponds to the data on DQL0-DQL7; DQSU corresponds to the data on DQU0-DQU7. The data strobe DQS, DQSL and DQSU are paired with differential signals $\overline{DQS}$ , $\overline{DQSL}$ and $\overline{DQSU}$ , respectively, to provide differential pair signaling to the system during reads and writes. DDR3 SDRAM supports differential data strobe only and does not support single-ended.  |
| TDQS, ( $\overline{TDQS}$ )                           | Output       | <b>Termination Data Strobe:</b> TDQS/ $\overline{TDQS}$ is applicable for X8 DRAMs only. When enabled via Mode Register A11=1 in MR1, DRAM will enable the same termination resistance function on TDQS/ $\overline{TDQS}$ that is applied to DQS/DQS. When disabled via mode register A11=0 in MR1, DM/TDQS will provide the data mask function and $\overline{TDQS}$ is not used. x4/x16 DRAMs must disable the TDQS function via mode register A11=0 in MR1.   |
| NC  |              | <b>No Connect:</b> No internal electrical connection is present.  |
| $V_{DDQ}$   | Supply       | <b>DQ Power Supply:</b> 1.5V +/- 0.075V   |
| $V_{SSQ}$   | Supply       | <b>DQ Ground</b>  |
| $V_{DD}$  | Supply       | <b>Power Supply:</b> 1.5V +/- 0.075V  |
| $V_{SS}$  | Supply       | <b>Ground</b>   |
| $V_{REFDQ}$   | Supply       | <b>Reference voltage for DQ</b>   |
| $V_{REFCA}$   | Supply       | <b>Reference voltage for CA</b>   |
| ZQ  | Supply       | <b>Reference Pin for ZQ calibration</b>   |

**NOTE :** Input only pins (BA0-BA2, A0-A12,  $\overline{RAS}$ ,  $\overline{CAS}$ ,  $\overline{WE}$ ,  $\overline{CS}$ , CKE, ODT and  $\overline{RESET}$ ) do not supply termination.



## 5. DDR3 SDRAM Addressing

### 1Gb

| Configuration        | 256Mb x 4  | 128Mb x 8                         | 64Mb x 16                         |
|----------------------|--|-----------------------------------|-----------------------------------|
| # of Bank            | 8  | 8                                 | 8                                 |
| Bank Address         | BA0 - BA2  | BA0 - BA2                         | BA0 - BA2                         |
| Auto precharge       | A <sub>10</sub> /AP                              | A <sub>10</sub> /AP               | A <sub>10</sub> /AP               |
| Row Address          | A <sub>0</sub> - A <sub>13</sub>                 | A <sub>0</sub> - A <sub>13</sub>  | A <sub>0</sub> - A <sub>12</sub>  |
| Column Address       | A <sub>0</sub> - A <sub>9</sub> ,A <sub>11</sub> | A <sub>0</sub> - A <sub>9</sub>   | A <sub>0</sub> - A <sub>9</sub>   |
| BC switch on the fly | A <sub>12</sub> / $\overline{BC}$                | A <sub>12</sub> / $\overline{BC}$ | A <sub>12</sub> / $\overline{BC}$ |
| Page size *1         | 1 KB   | 1 KB                              | 2 KB                              |

### 2Gb

| Configuration        | 512Mb x 4  | 256Mb x 8                         | 128Mb x 16                        |
|----------------------|--|-----------------------------------|-----------------------------------|
| # of Bank            | 8  | 8                                 | 8                                 |
| Bank Address         | BA0 - BA2  | BA0 - BA2                         | BA0 - BA2                         |
| Auto precharge       | A <sub>10</sub> /AP                              | A <sub>10</sub> /AP               | A <sub>10</sub> /AP               |
| Row Address          | A <sub>0</sub> - A <sub>14</sub>                 | A <sub>0</sub> - A <sub>14</sub>  | A <sub>0</sub> - A <sub>13</sub>  |
| Column Address       | A <sub>0</sub> - A <sub>9</sub> ,A <sub>11</sub> | A <sub>0</sub> - A <sub>9</sub>   | A <sub>0</sub> - A <sub>9</sub>   |
| BC switch on the fly | A <sub>12</sub> / $\overline{BC}$                | A <sub>12</sub> / $\overline{BC}$ | A <sub>12</sub> / $\overline{BC}$ |
| Page size *1         | 1 KB   | 1 KB                              | 2 KB                              |

### 4Gb

| Configuration        | 1Gb x 4  | 512Mb x 8                         | 256Mb x 16                        |
|----------------------|--|-----------------------------------|-----------------------------------|
| # of Bank            | 8  | 8                                 | 8                                 |
| Bank Address         | BA0 - BA2  | BA0 - BA2                         | BA0 - BA2                         |
| Auto precharge       | A <sub>10</sub> /AP                              | A <sub>10</sub> /AP               | A <sub>10</sub> /AP               |
| Row Address          | A <sub>0</sub> - A <sub>15</sub>                 | A <sub>0</sub> - A <sub>15</sub>  | A <sub>0</sub> - A <sub>14</sub>  |
| Column Address       | A <sub>0</sub> - A <sub>9</sub> ,A <sub>11</sub> | A <sub>0</sub> - A <sub>9</sub>   | A <sub>0</sub> - A <sub>9</sub>   |
| BC switch on the fly | A <sub>12</sub> / $\overline{BC}$                | A <sub>12</sub> / $\overline{BC}$ | A <sub>12</sub> / $\overline{BC}$ |
| Page size *1         | 1 KB   | 1 KB                              | 2 KB                              |

### 8Gb

| Configuration        | 2Gb x 4   | 1Gb x 8  | 512Mb x 16                        |
|----------------------|---|--|-----------------------------------|
| # of Bank            | 8   | 8  | 8                                 |
| Bank Address         | BA0 - BA2   | BA0 - BA2  | BA0 - BA2                         |
| Auto precharge       | A <sub>10</sub> /AP   | A <sub>10</sub> /AP                              | A <sub>10</sub> /AP               |
| Row Address          | A <sub>0</sub> - A <sub>15</sub>                                  | A <sub>0</sub> - A <sub>15</sub>                 | A <sub>0</sub> - A <sub>15</sub>  |
| Column Address       | A <sub>0</sub> - A <sub>9</sub> ,A <sub>11</sub> ,A <sub>13</sub> | A <sub>0</sub> - A <sub>9</sub> ,A <sub>11</sub> | A <sub>0</sub> - A <sub>9</sub>   |
| BC switch on the fly | A <sub>12</sub> / $\overline{BC}$                                 | A <sub>12</sub> / $\overline{BC}$                | A <sub>12</sub> / $\overline{BC}$ |
| Page size *1         | 2 KB  | 2 KB   | 2 KB                              |

**NOTE 1** : Page size is the number of bytes of data delivered from the array to the internal sense amplifiers when an ACTIVE command is registered.

Page size is per bank, calculated as follows:  $\text{page size} = 2^{\text{COLBITS}} \times \text{ORG} \div 8$   
 where, COLBITS = the number of column address bits, ORG = the number of I/O (DQ) bits

## 6. Absolute Maximum Ratings

### 6.1 Absolute Maximum DC Ratings

[ Table 4 ] Absolute Maximum DC Ratings

| Symbol            | Parameter                                     | Rating          | Units | NOTE |
|-------------------|---|-----------------|-------|------|
| $V_{DD}$          | Voltage on $V_{DD}$ pin relative to $V_{SS}$  | -0.4 V ~ 1.80 V | V     | 1,3  |
| $V_{DDQ}$         | Voltage on $V_{DDQ}$ pin relative to $V_{SS}$ | -0.4 V ~ 1.80 V | V     | 1,3  |
| $V_{IN}, V_{OUT}$ | Voltage on any pin relative to $V_{SS}$       | -0.4 V ~ 1.80 V | V     | 1    |
| $T_{STG}$         | Storage Temperature                           | -55 to +100     | °C    | 1, 2 |

**NOTE :**

- Stresses greater than those listed under "Absolute Maximum Ratings" may cause permanent damage to the device. This is a stress rating only and functional operation of the device at these or any other conditions above those indicated in the operational sections of this specification is not implied. Exposure to absolute maximum rating conditions for extended periods may affect reliability.
- Storage Temperature is the case surface temperature on the center/top side of the DRAM. For the measurement conditions, please refer to JESD51-2 standard.
- $V_{DD}$  and  $V_{DDQ}$  must be within 300mV of each other at all times; and  $V_{REF}$  must be not greater than  $0.6 \times V_{DDQ}$ . When  $V_{DD}$  and  $V_{DDQ}$  are less than 500mV;  $V_{REF}$  may be equal to or less than 300mV.

### 6.2 DRAM Component Operating Temperature Range

[ Table 5 ] Temperature Range

| Symbol     | Parameter                   | rating  | Unit | NOTE    |
|------------|-----------------------------|---------|------|---------|
| $T_{OPER}$ | Operating Temperature Range | 0 to 95 | °C   | 1, 2, 3 |

**NOTE :**

- Operating Temperature  $T_{OPER}$  is the case surface temperature on the center/top side of the DRAM. For measurement conditions, please refer to the JEDEC document JESD51-2.
- The Normal Temperature Range specifies the temperatures where all DRAM specifications will be supported. During operation, the DRAM case temperature must be maintained between 0-85°C under all operating conditions
- Some applications require operation of the Extended Temperature Range between 85°C and 95°C case temperature. Full specifications are guaranteed in this range, but the following additional conditions apply:
  - Refresh commands must be doubled in frequency, therefore reducing the refresh interval  $t_{REFI}$  to 3.9us.
  - If Self-Refresh operation is required in the Extended Temperature Range, then it is mandatory to either use the Manual Self-Refresh mode with Extended Temperature Range capability (MR2 A6 = 0<sub>b</sub> and MR2 A7 = 1<sub>b</sub>), in this case IDD6 current can be increased around 10~20% than normal Temperature range.

## 7. AC & DC Operating Conditions

### 7.1 Recommended DC operating Conditions (SSTL\_1.5)

[ Table 6 ] Recommended DC Operating Conditions

| Symbol    | Parameter                 | Rating |      |       | Units | NOTE |
|-----------|---------------------------|--------|------|-------|-------|------|
|           |                           | Min.   | Typ. | Max.  |       |      |
| $V_{DD}$  | Supply Voltage            | 1.425  | 1.5  | 1.575 | V     | 1,2  |
| $V_{DDQ}$ | Supply Voltage for Output | 1.425  | 1.5  | 1.575 | V     | 1,2  |

**NOTE :**

- Under all conditions  $V_{DDQ}$  must be less than or equal to  $V_{DD}$ .
- $V_{DDQ}$  tracks with  $V_{DD}$ . AC parameters are measured with  $V_{DD}$  and  $V_{DDQ}$  tied together.

## 8. AC & DC Input Measurement Levels

### 8.1 AC & DC Logic input levels for single-ended signals

[ Table 7 ] Single-ended AC & DC input levels for Command and Address

| Symbol             | Parameter                             | DDR3-800/1066/1333/1600 |                     | DDR3-1866/2133      |                     | Unit | NOTE  |
|--------------------|---------------------------------------|-------------------------|---------------------|---------------------|---------------------|------|-------|
|                    |                                       | Min.                    | Max.                | Min.                | Max.                |      |       |
| $V_{IH,CA}(DC100)$ | DC input logic high                   | $V_{REF} + 100$         | $V_{DD}$            | $V_{REF} + 100$     | $V_{DD}$            | mV   | 1,5   |
| $V_{IL,CA}(DC100)$ | DC input logic low                    | $V_{SS}$                | $V_{REF} - 100$     | $V_{SS}$            | $V_{REF} - 100$     | mV   | 1,6   |
| $V_{IH,CA}(AC175)$ | AC input logic high                   | $V_{REF} + 175$         | Note 2              | -                   | -                   | mV   | 1,2,7 |
| $V_{IL,CA}(AC175)$ | AC input logic low                    | Note 2                  | $V_{REF} - 175$     | -                   | -                   | mV   | 1,2,8 |
| $V_{IH,CA}(AC150)$ | AC input logic high                   | $V_{REF}+150$           | Note 2              | -                   | -                   | mV   | 1,2,7 |
| $V_{IL,CA}(AC150)$ | AC input logic low                    | Note 2                  | $V_{REF}-150$       | -                   | -                   | mV   | 1,2,8 |
| $V_{IH,CA}(AC135)$ | AC input logic high                   | -                       | -                   | $V_{REF} + 135$     | Note 2              | mV   | 1,2,7 |
| $V_{IL,CA}(AC135)$ | AC input logic low                    | -                       | -                   | Note 2              | $V_{REF} - 135$     | mV   | 1,2,8 |
| $V_{IH,CA}(AC125)$ | AC input logic high                   | -                       | -                   | $V_{REF}+125$       | Note 2              | mV   | 1,2,7 |
| $V_{IL,CA}(AC125)$ | AC input logic low                    | -                       | -                   | Note 2              | $V_{REF}-125$       | mV   | 1,2,8 |
| $V_{REFCA}(DC)$    | Reference Voltage for ADD, CMD inputs | $0.49 \cdot V_{DD}$     | $0.51 \cdot V_{DD}$ | $0.49 \cdot V_{DD}$ | $0.51 \cdot V_{DD}$ | V    | 3,4,9 |

**NOTE :**

- For input only pins except  $\overline{RESET}$ ,  $V_{REF} = V_{REFCA}(DC)$
- See 'Overshoot/Undershoot Specification' section.
- The AC peak noise on  $V_{REF}$  may not allow  $V_{REF}$  to deviate from  $V_{REF}(DC)$  by more than  $\pm 1\% V_{DD}$  (for reference : approx.  $\pm 15mV$ )
- For reference : approx.  $V_{DD}/2 \pm 15mV$
- $V_{IH}(dc)$  is used as a simplified symbol for  $V_{IH,CA}(DC100)$
- $V_{IL}(dc)$  is used as a simplified symbol for  $V_{IL,CA}(DC100)$
- $V_{IH}(ac)$  is used as a simplified symbol for  $V_{IH,CA}(AC175)$  and  $V_{IH,CA}(AC150)$ ;  $V_{IH,CA}(AC175)$  value is used when  $V_{REF} + 175mV$  is referenced and  $V_{IH,CA}(AC150)$  value is used when  $V_{REF} + 150mV$  is referenced.
- $V_{IL}(ac)$  is used as a simplified symbol for  $V_{IL,CA}(AC175)$  and  $V_{IL,CA}(AC150)$ ;  $V_{IL,CA}(AC175)$  value is used when  $V_{REF} - 175mV$  is referenced and  $V_{IL,CA}(AC150)$  value is used when  $V_{REF} - 150mV$  is referenced.
- $V_{refCA}(DC)$  is measured relative to  $V_{DD}$  at the same point in time on the same device

[ Table 8 ] Single-ended AC &amp; DC input levels for DQ and DM

| Symbol             | Parameter                           | DDR3-800/1066       |                     | DDR3-1333/1600      |                     | DDR3-1866/2133      |                     | Unit | NOTE     |
|--------------------|-------------------------------------|---------------------|---------------------|---------------------|---------------------|---------------------|---------------------|------|----------|
|                    |                                     | Min.                | Max.                | Min.                | Max.                | Min.                | Max.                |      |          |
| $V_{IH,DQ}(DC100)$ | DC input logic high                 | $V_{REF} + 100$     | $V_{DD}$            | $V_{REF} + 100$     | $V_{DD}$            | $V_{REF} + 100$     | $V_{DD}$            | mV   | 1,5      |
| $V_{IL,DQ}(DC100)$ | DC input logic low                  | $V_{SS}$            | $V_{REF} - 100$     | $V_{SS}$            | $V_{REF} - 100$     | $V_{SS}$            | $V_{REF} - 100$     | mV   | 1,6      |
| $V_{IH,DQ}(AC175)$ | AC input logic high                 | $V_{REF} + 175$     | NOTE 2              | -                   | -                   | -                   | -                   | mV   | 1,2,7    |
| $V_{IL,DQ}(AC175)$ | AC input logic low                  | NOTE 2              | $V_{REF} - 175$     | -                   | -                   | -                   | -                   | mV   | 1,2,8    |
| $V_{IH,DQ}(AC150)$ | AC input logic high                 | $V_{REF} + 150$     | NOTE 2              | $V_{REF} + 150$     | NOTE 2              | -                   | -                   | mV   | 1,2,7    |
| $V_{IL,DQ}(AC150)$ | AC input logic low                  | NOTE 2              | $V_{REF} - 150$     | NOTE 2              | $V_{REF} - 150$     | -                   | -                   | mV   | 1,2,8    |
| $V_{IH,DQ}(AC135)$ | AC input logic high                 | $V_{REF} + 135$     | NOTE 2              | $V_{REF} + 135$     | NOTE 2              | $V_{REF} + 135$     | NOTE 2              | mV   | 1,2,7,10 |
| $V_{IL,DQ}(AC135)$ | AC input logic low                  | NOTE 2              | $V_{REF} - 135$     | NOTE 2              | $V_{REF} - 135$     | NOTE 2              | $V_{REF} - 135$     | mV   | 1,2,8,10 |
| $V_{REFDQ}(DC)$    | Reference Voltage for DQ, DM inputs | $0.49 \cdot V_{DD}$ | $0.51 \cdot V_{DD}$ | $0.49 \cdot V_{DD}$ | $0.51 \cdot V_{DD}$ | $0.49 \cdot V_{DD}$ | $0.51 \cdot V_{DD}$ | V    | 3,4,9    |

**NOTE :**

- For input only pins except  $\overline{RESET}$ ,  $V_{REF} = V_{REFDQ}(DC)$
- See 'Overshoot/Undershoot Specification' section.
- The AC peak noise on  $V_{REF}$  may not allow  $V_{REF}$  to deviate from  $V_{REF}(DC)$  by more than  $\pm 1\% V_{DD}$  (for reference : approx.  $\pm 15mV$ )
- For reference : approx.  $V_{DD}/2 \pm 15mV$
- $V_{IH}(dc)$  is used as a simplified symbol for  $V_{IH,DQ}(DC100)$
- $V_{IL}(dc)$  is used as a simplified symbol for  $V_{IL,DQ}(DC100)$
- $V_{IH}(ac)$  is used as a simplified symbol for  $V_{IH,DQ}(AC175)$ ,  $V_{IH,DQ}(AC150)$ , and  $V_{IH,DQ}(AC135)$ ;  $V_{IH,DQ}(AC175)$  value is used when  $V_{ref} + 0.175V$  is referenced,  $V_{IH,DQ}(AC150)$  value is used when  $V_{ref} + 0.150V$  is referenced, and  $V_{IH,DQ}(AC135)$  value is used when  $V_{ref} + 0.135V$  is referenced.
- $V_{IL}(ac)$  is used as a simplified symbol for  $V_{IL,DQ}(AC175)$ ,  $V_{IL,DQ}(AC150)$ , and  $V_{IL,DQ}(AC135)$ ;  $V_{IL,DQ}(AC175)$  value is used when  $V_{ref} - 0.175V$  is referenced,  $V_{IL,DQ}(AC150)$  value is used when  $V_{ref} - 0.150V$  is referenced, and  $V_{IL,DQ}(AC135)$  value is used when  $V_{ref} - 0.135V$  is referenced.
- $V_{refDQ}(DC)$  is measured relative to  $V_{DD}$  at the same point in time on the same device
- Optional in DDR3 SDRAM for DDR3-800/1066/1333/1600/1866: Users should refer to the DRAM supplier data sheet and/or the DIMM SPD to determine if DDR3 SDRAM devices support this option.

## 8.2 $V_{REF}$ Tolerances

The dc-tolerance limits and ac-noise limits for the reference voltages  $V_{REFCA}$  and  $V_{REFDQ}$  are illustrate in Figure 1. It shows a valid reference voltage  $V_{REF}(t)$  as a function of time. ( $V_{REF}$  stands for  $V_{REFCA}$  and  $V_{REFDQ}$  likewise).

$V_{REF}(DC)$  is the linear average of  $V_{REF}(t)$  over a very long period of time (e.g. 1 sec). This average has to meet the min/max requirement in Table 7 on page 11. Furthermore  $V_{REF}(t)$  may temporarily deviate from  $V_{REF}(DC)$  by no more than  $\pm 1\% V_{DD}$ .

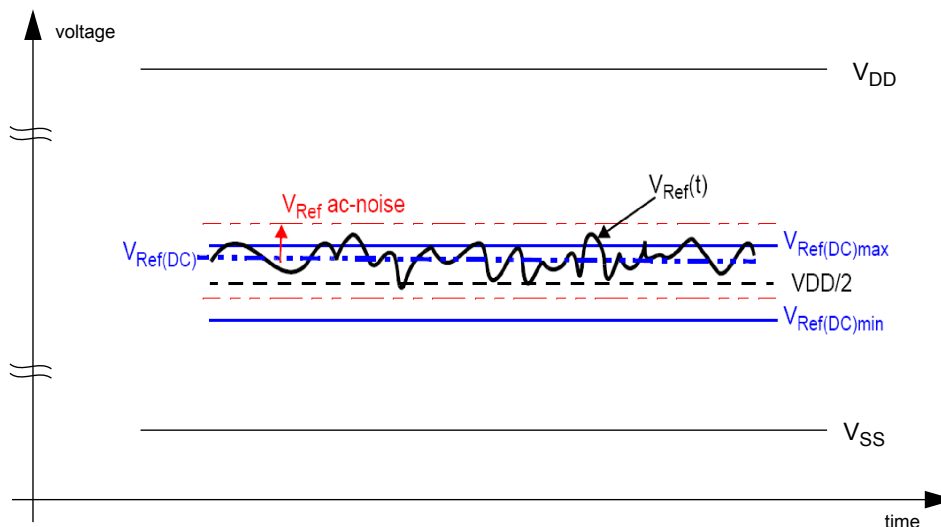


Figure 1. Illustration of  $V_{REF}(DC)$  tolerance and  $V_{REF}$  ac-noise limits

The voltage levels for setup and hold time measurements  $V_{IH}(AC)$ ,  $V_{IH}(DC)$ ,  $V_{IL}(AC)$  and  $V_{IL}(DC)$  are dependent on  $V_{REF}$ .

" $V_{REF}$ " shall be understood as  $V_{REF}(DC)$ , as defined in Figure 1 .

This clarifies, that dc-variations of  $V_{REF}$  affect the absolute voltage a signal has to reach to achieve a valid high or low level and therefore the time to which setup and hold is measured. System timing and voltage budgets need to account for  $V_{REF}(DC)$  deviations from the optimum position within the data-eye of the input signals.

This also clarifies that the DRAM setup/hold specification and derating values need to include time and voltage associated with  $V_{REF}$  ac-noise. Timing and voltage effects due to ac-noise on  $V_{REF}$  up to the specified limit ( $\pm 1\%$  of  $V_{DD}$ ) are included in DRAM timings and their associated deratings.

### 8.3 AC & DC Logic Input Levels for Differential Signals

#### 8.3.1 Differential signals definition

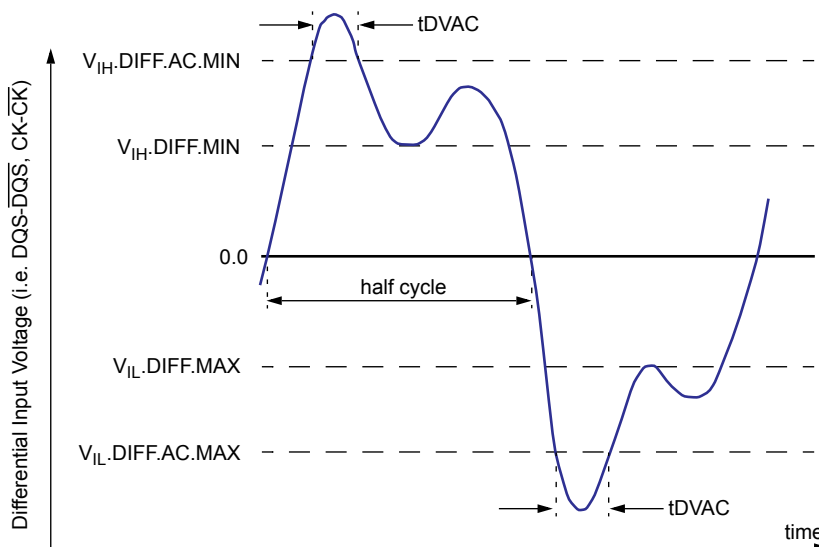


Figure 2. Definition of differential ac-swing and "time above ac level" tDVAC

#### 8.3.2 Differential swing requirement for clock (CK - $\overline{CK}$ ) and strobe (DQS - $\overline{DQS}$ )

[ Table 9 ] Differential AC & DC Input Levels

| Symbol           | Parameter                  | DDR3-800/1066/1333/1600/1866/2133 |                                   | unit | NOTE |
|------------------|----------------------------|-----------------------------------|-----------------------------------|------|------|
|                  |                            | min                               | max                               |      |      |
| $V_{IHdiff}$     | differential input high    | +0.2                              | NOTE 3                            | V    | 1    |
| $V_{ILdiff}$     | differential input low     | NOTE 3                            | -0.2                              | V    | 1    |
| $V_{IHdiff}(AC)$ | differential input high ac | $2 \times (V_{IH}(AC) - V_{REF})$ | NOTE 3                            | V    | 2    |
| $V_{ILdiff}(AC)$ | differential input low ac  | NOTE 3                            | $2 \times (V_{IL}(AC) - V_{REF})$ | V    | 2    |

- NOTE :
- Used to define a differential signal slew-rate.
  - for CK -  $\overline{CK}$  use  $V_{IH}/V_{IL}(AC)$  of ADD/CMD and  $V_{REFCA}$ ; for DQS -  $\overline{DQS}$ , DQSL -  $\overline{DQSL}$ , DQSU -  $\overline{DQSU}$  use  $V_{IH}/V_{IL}(AC)$  of DQs and  $V_{REFDQ}$ ; if a reduced ac-high or ac-low level is used for a signal group, then the reduced level applies also here.
  - These values are not defined, however they single-ended signals CK,  $\overline{CK}$ , DQS,  $\overline{DQS}$ , DQSL,  $\overline{DQSL}$ , DQSU,  $\overline{DQSU}$  need to be within the respective limits ( $V_{IH}(DC)$  max,  $V_{IL}(DC)$ min) for single-ended signals as well as the limitations for overshoot and undershoot. Refer to "overshoot and Undershoot Specification"

[ Table 10 ] Allowed time before ringback (tDVAC) for CK -  $\overline{CK}$  and DQS -  $\overline{DQS}$

| Slew Rate [V/ns] | DDR3-800 / 1066 / 1333 / 1600   |     |   |     |   |     | DDR3-1866/2133  |     |  |     |
|------------------|---|-----|---|-----|---|-----|---|-----|--|-----|
|                  | tDVAC [ps] @  V <sub>IH</sub>  <br>L <sub>diff</sub> (AC) <br>= 350mV |     | tDVAC [ps] @  V <sub>IH</sub>  <br>L <sub>diff</sub> (AC) <br>= 300mV |     | tDVAC [ps] @  V <sub>IH</sub>  <br>L <sub>diff</sub> (AC) <br>=270mV(DQS-DQS#) only<br>(Optional) |     | tDVAC [ps] @  V <sub>IH</sub>  <br>L <sub>diff</sub> (AC) <br>= 270mV |     | tDVAC [ps] @  V <sub>IH</sub>  <br>L <sub>diff</sub> (AC) <br>=250mV (CK-CK#) only |     |
|                  | min   | max | min   | max | min   | max | min   | max | min  | max |
| > 4.0            | 75  | -   | 175   | -   | 214   | -   | 134   | -   | 139  | -   |
| 4.0              | 57  | -   | 170   | -   | 214   | -   | 134   | -   | 139  | -   |
| 3.0              | 50  | -   | 167   | -   | 191   | -   | 112   | -   | 118  | -   |
| 2.0              | 38  | -   | 119   | -   | 146   | -   | 67  | -   | 77   | -   |
| 1.8              | 34  | -   | 102   | -   | 131   | -   | 52  | -   | 63   | -   |
| 1.6              | 29  | -   | 81  | -   | 113   | -   | 33  | -   | 45   | -   |
| 1.4              | 22  | -   | 54  | -   | 88  | -   | 9   | -   | 23   | -   |
| 1.2              | note  | -   | 19  | -   | 56  | -   | note  | -   | note   | -   |
| 1.0              | note  | -   | note  | -   | 11  | -   | note  | -   | note   | -   |
| < 1.0            | note  | -   | note  | -   | note  | -   | note  | -   | note   | -   |

**NOTE :**  
Rising input differential signal shall become equal to or greater than V<sub>IHdiff</sub>(ac) level and Falling input differential signal shall become equal to or less than V<sub>ILdiff</sub>(ac) level.

### 8.3.3 Single-ended requirements for differential signals

Each individual component of a differential signal (CK, DQS, DQSL, DQSU,  $\overline{CK}$ ,  $\overline{DQS}$ ,  $\overline{DQSL}$ , or  $\overline{DQSU}$ ) has also to comply with certain requirements for single-ended signals.

CK and  $\overline{CK}$  have to approximately reach V<sub>SEH</sub>min / V<sub>SEL</sub>max [approximately equal to the ac-levels { V<sub>IH</sub>(AC) / V<sub>IL</sub>(AC)} for ADD/CMD signals] in every half-cycle.

DQS, DQSL, DQSU,  $\overline{DQS}$ ,  $\overline{DQSL}$  have to reach V<sub>SEH</sub>min / V<sub>SEL</sub>max [approximately the ac-levels { V<sub>IH</sub>(AC) / V<sub>IL</sub>(AC)} for DQ signals] in every half-cycle proceeding and following a valid transition.

Note that the applicable ac-levels for ADD/CMD and DQ's might be different per speed-bin etc. E.g. if V<sub>IH150</sub>(AC)/V<sub>IL150</sub>(AC) is used for ADD/CMD signals, then these ac-levels apply also for the single-ended signals CK and  $\overline{CK}$ .

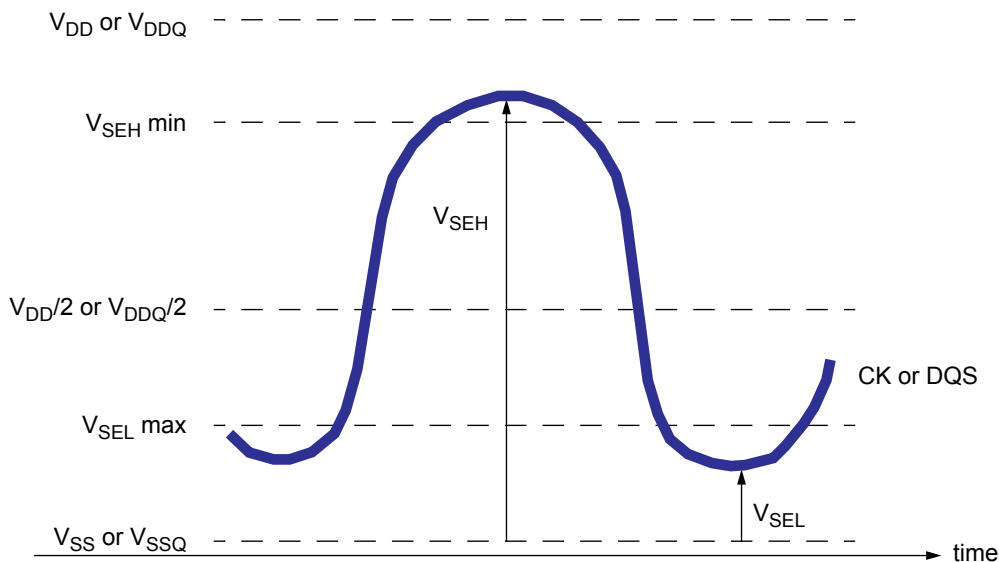


Figure 3. Single-ended requirement for differential signals

Note that while ADD/CMD and DQ signal requirements are with respect to V<sub>REF</sub>, the single-ended components of differential signals have a requirement with respect to V<sub>DD</sub>/2; this is nominally the same. The transition of single-ended signals through the ac-levels is used to measure setup time. For single-ended components of differential signals the requirement to reach V<sub>SEL</sub>max, V<sub>SEH</sub>min has no bearing on timing, but adds a restriction on the common mode characteristics of these signals.

[ Table 11 ] Single-ended levels for CK, DQS, DQSL, DQSU,  $\overline{CK}$ ,  $\overline{DQS}$ ,  $\overline{DQSL}$ , or  $\overline{DQSU}$

| Symbol           | Parameter                                       | DDR3-1066/1333/1600/1866/2133 |                            | Unit | NOTE |
|------------------|---|-------------------------------|----------------------------|------|------|
|                  |   | Min                           | Max                        |      |      |
| V <sub>SEH</sub> | Single-ended high-level for strobes             | (V <sub>DD</sub> /2)+0.175    | NOTE3                      | V    | 1, 2 |
|                  | Single-ended high-level for CK, $\overline{CK}$ | (V <sub>DD</sub> /2)+0.175    | NOTE3                      | V    | 1, 2 |
| V <sub>SEL</sub> | Single-ended low-level for strobes              | NOTE3                         | (V <sub>DD</sub> /2)-0.175 | V    | 1, 2 |
|                  | Single-ended low-level for CK, $\overline{CK}$  | NOTE3                         | (V <sub>DD</sub> /2)-0.175 | V    | 1, 2 |

- NOTE :**
- For CK,  $\overline{CK}$  use V<sub>IH</sub>/V<sub>IL</sub>(AC) of ADD/CMD; for strobes (DQS,  $\overline{DQS}$ , DQSL,  $\overline{DQSL}$ , DQSU,  $\overline{DQSU}$ ) use V<sub>IH</sub>/V<sub>IL</sub>(AC) of DQs.
  - V<sub>IH</sub>(AC)/V<sub>IL</sub>(AC) for DQs is based on V<sub>REFDQ</sub>; V<sub>IH</sub>(AC)/V<sub>IL</sub>(AC) for ADD/CMD is based on V<sub>REFCA</sub>; if a reduced ac-high or ac-low level is used for a signal group, then the reduced level applies also here
  - These values are not defined, however the single-ended signals CK,  $\overline{CK}$ , DQS,  $\overline{DQS}$ , DQSL,  $\overline{DQSL}$ , DQSU,  $\overline{DQSU}$  need to be within the respective limits (V<sub>IH</sub>(DC) max, V<sub>IL</sub>(DC)min) for single-ended signals as well as the limitations for overshoot and undershoot. Refer to "Overshoot and Undershoot Specification"

### 8.4 Differential Input Cross Point Voltage

To guarantee tight setup and hold times as well as output skew parameters with respect to clock and strobe, each cross point voltage of differential input signals (CK,  $\overline{CK}$  and DQS,  $\overline{DQS}$ ) must meet the requirements in below table. The differential input cross point voltage V<sub>IX</sub> is measured from the actual cross point of true and complement signal to the mid level between of V<sub>DD</sub> and V<sub>SS</sub>.

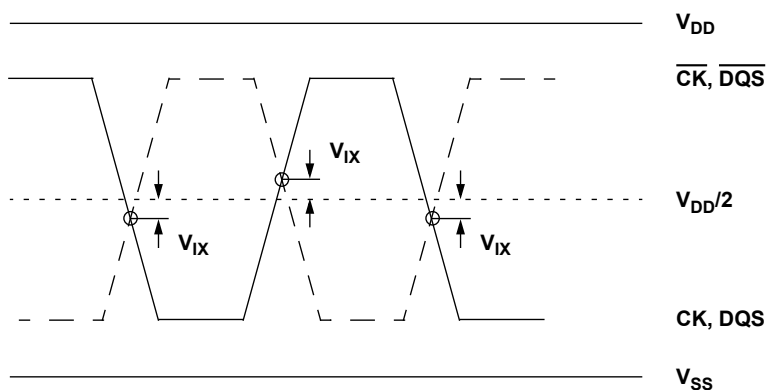


Figure 4. VIX Definition

[ Table 12 ] Cross point voltage for differential input signals (CK, DQS)

| Symbol          | Parameter   | DDR3-800/1066/1333/1600/1866/2133 |     | Unit | NOTE |
|-----------------|---|-----------------------------------|-----|------|------|
|                 |   | Min                               | Max |      |      |
| V <sub>IX</sub> | Differential Input Cross Point Voltage relative to V <sub>DD</sub> /2 for CK, $\overline{CK}$   | -150                              | 150 | mV   | 2    |
|                 |   | -175                              | 175 | mV   | 1    |
| V <sub>IX</sub> | Differential Input Cross Point Voltage relative to V <sub>DD</sub> /2 for DQS, $\overline{DQS}$ | -150                              | 150 | mV   | 2    |

- NOTE :**
- Extended range for V<sub>IX</sub> is only allowed for clock and if single-ended clock input signals CK and  $\overline{CK}$  are monotonic, have a single-ended swing V<sub>SEL</sub> / V<sub>SEH</sub> of at least V<sub>DD</sub>/2 ±250 mV, and the differential slew rate of CK- $\overline{CK}$  is larger than 3 V/ ns. Refer to Table 11 on page 16 for V<sub>SEL</sub> and V<sub>SEH</sub> standard values.
  - The relation between V<sub>IX</sub> Min/Max and V<sub>SEL</sub>/V<sub>SEH</sub> should satisfy following.  
 $(V_{DD}/2) + V_{IX}(\text{Min}) - V_{SEL} \geq 25\text{mV}$   
 $V_{SEH} - ((V_{DD}/2) + V_{IX}(\text{Max})) \geq 25\text{mV}$



### 8.5 Slew rate definitions for Differential Input Signals

Input slew rate for differential signals (CK,  $\overline{CK}$  and DQS,  $\overline{DQS}$ ) are defined and measured as shown in Table 13 and Figure 5.

[ Table 13 ] Differential input slew rate definition

| Description  | Measured        |                 | Defined by   |
|--|-----------------|-----------------|--|
|  | From            | To              |  |
| Differential input slew rate for rising edge (CK- $\overline{CK}$ and DQS- $\overline{DQS}$ )  | $V_{ILdiffmax}$ | $V_{IHdiffmin}$ | $[V_{IHdiffmin} - V_{ILdiffmax}] / \Delta TR_{diff}$ |
| Differential input slew rate for falling edge (CK- $\overline{CK}$ and DQS- $\overline{DQS}$ ) | $V_{IHdiffmin}$ | $V_{ILdiffmax}$ | $[V_{IHdiffmin} - V_{ILdiffmax}] / \Delta TF_{diff}$ |

**NOTE :**  
The differential signal (i.e. CK -  $\overline{CK}$  and DQS -  $\overline{DQS}$ ) must be linear between these thresholds.

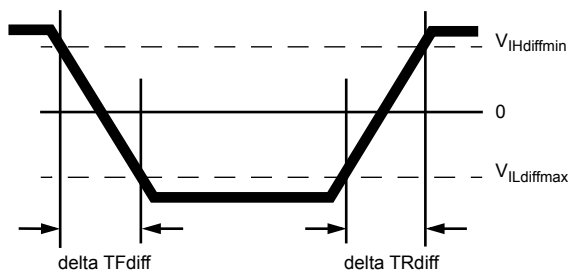


Figure 5. Differential Input Slew Rate definition for DQS,  $\overline{DQS}$ , and CK,  $\overline{CK}$

## 9. AC & DC Output Measurement Levels

### 9.1 Single-ended AC & DC Output Levels

[ Table 14 ] Single-ended AC & DC output levels

| Symbol               | Parameter   | DDR3-800/1066/1333/1600/1866/2133        | Units | NOTE |
|----------------------|---|--|-------|------|
| V <sub>OH</sub> (DC) | DC output high measurement level (for IV curve linearity) | 0.8 x V <sub>DDQ</sub>                   | V     |      |
| V <sub>OM</sub> (DC) | DC output mid measurement level (for IV curve linearity)  | 0.5 x V <sub>DDQ</sub>                   | V     |      |
| V <sub>OL</sub> (DC) | DC output low measurement level (for IV curve linearity)  | 0.2 x V <sub>DDQ</sub>                   | V     |      |
| V <sub>OH</sub> (AC) | AC output high measurement level (for output SR)          | V <sub>TT</sub> + 0.1 x V <sub>DDQ</sub> | V     | 1    |
| V <sub>OL</sub> (AC) | AC output low measurement level (for output SR)           | V <sub>TT</sub> - 0.1 x V <sub>DDQ</sub> | V     | 1    |

NOTE : 1. The swing of +/-0.1 x V<sub>DDQ</sub> is based on approximately 50% of the static single ended output high or low swing with a driver impedance of 40Ω and an effective test load of 25Ω to V<sub>TT</sub>=V<sub>DDQ</sub>/2.

### 9.2 Differential AC & DC Output Levels

[ Table 15 ] Differential AC & DC output levels

| Symbol                   | Parameter   | DDR3-800/1066/1333/1600/1866/2133 | Units | NOTE |
|--------------------------|---|-----------------------------------|-------|------|
| V <sub>OHdiff</sub> (AC) | AC differential output high measurement level (for output SR) | +0.2 x V <sub>DDQ</sub>           | V     | 1    |
| V <sub>OLdiff</sub> (AC) | AC differential output low measurement level (for output SR)  | -0.2 x V <sub>DDQ</sub>           | V     | 1    |

NOTE : 1. The swing of +/-0.2xV<sub>DDQ</sub> is based on approximately 50% of the static single ended output high or low swing with a driver impedance of 40Ω and an effective test load of 25Ω to V<sub>TT</sub>=V<sub>DDQ</sub>/2 at each of the differential outputs.

### 9.3 Single-ended Output Slew Rate

With the reference load for timing measurements, output slew rate for falling and rising edges is defined and measured between V<sub>OL</sub>(AC) and V<sub>OH</sub>(AC) for single ended signals as shown in Table 16 and Figure 6.

[ Table 16 ] Single-ended output slew rate definition

| Description                                    | Measured             |                      | Defined by   |
|--|----------------------|----------------------|--|
|  | From                 | To                   |  |
| Single ended output slew rate for rising edge  | V <sub>OL</sub> (AC) | V <sub>OH</sub> (AC) | [V <sub>OH</sub> (AC)-V <sub>OL</sub> (AC)] / Delta TRse |
| Single ended output slew rate for falling edge | V <sub>OH</sub> (AC) | V <sub>OL</sub> (AC) | [V <sub>OH</sub> (AC)-V <sub>OL</sub> (AC)] / Delta TFse |

NOTE : Output slew rate is verified by design and characterization, and may not be subject to production test.

[ Table 17 ] Single-ended output slew rate

| Parameter                     | Symbol | DDR3-800 |     | DDR3-1066 |     | DDR3-1333 |     | DDR3-1600 |     | DDR3-1866 |                 | DDR3-2133 |                 | Units |
|-------------------------------|--------|----------|-----|-----------|-----|-----------|-----|-----------|-----|-----------|-----------------|-----------|-----------------|-------|
|                               |        | Min      | Max | Min       | Max | Min       | Max | Min       | Max | Min       | Max             |           |                 |       |
| Single ended output slew rate | SRQse  | 2.5      | 5   | 2.5       | 5   | 2.5       | 5   | 2.5       | 5   | 2.5       | 5 <sup>1)</sup> | 2.5       | 5 <sup>1)</sup> | V/ns  |

Description : SR : Slew Rate

Q : Query Output (like in DQ, which stands for Data-in, Query-Output)

se : Single-ended Signals

For Ron = RZQ/7 setting

NOTE : 1) In two cases, a maximum slew rate of 6V/ns applies for a single DQ signal within a byte lane.

- Case\_1 is defined for a single DQ signal within a byte lane which is switching into a certain direction (either from high to low or low to high) while all remaining DQ signals in the same byte lane are static (i.e they stay at either high or low).
- Case\_2 is defined for a single DQ signals in the same byte lane are switching into the opposite direction (i.e. from low to high or high to low respectively). For the remaining DQ signal switching into the opposite direction, the regular maximum limit of 5 V/ns applies.

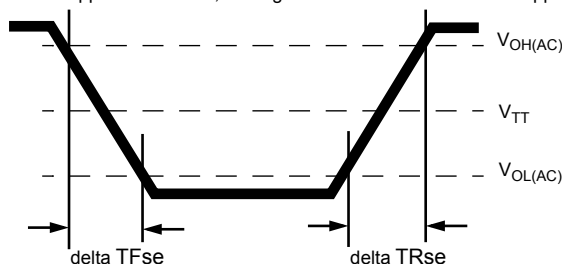


Figure 6. Single-ended Output Slew Rate Definition

### 9.4 Differential Output Slew Rate

With the reference load for timing measurements, output slew rate for falling and rising edges is defined and measured between  $V_{OLdiff}(AC)$  and  $V_{OHdiff}(AC)$  for differential signals as shown in Table 18 and Figure 7.

[ Table 18 ] Differential output slew rate definition

| Description                                    | Measured         |                  | Defined by   |
|--|------------------|------------------|--|
|  | From             | To               |  |
| Differential output slew rate for rising edge  | $V_{OLdiff}(AC)$ | $V_{OHdiff}(AC)$ | $[V_{OHdiff}(AC)-V_{OLdiff}(AC)] / \Delta TR_{diff}$ |
| Differential output slew rate for falling edge | $V_{OHdiff}(AC)$ | $V_{OLdiff}(AC)$ | $[V_{OHdiff}(AC)-V_{OLdiff}(AC)] / \Delta TF_{diff}$ |

NOTE : Output slew rate is verified by design and characterization, and may not be subject to production test.

[ Table 19 ] Differential output slew rate

| Parameter                     | Symbol  | DDR3-800 |     | DDR3-1066 |     | DDR3-1333 |     | DDR3-1600 |     | DDR3-1866 |     | DDR3-2133 |     | Units |
|-------------------------------|---------|----------|-----|-----------|-----|-----------|-----|-----------|-----|-----------|-----|-----------|-----|-------|
|                               |         | Min      | Max | Min       | Max | Min       | Max | Min       | Max | Min       | Max | Min       | Max |       |
| Differential output slew rate | SRQdiff | 5        | 10  | 5         | 10  | 5         | 10  | 5         | 10  | 5         | 12  | 5         | 12  | V/ns  |

Description : SR : Slew Rate

Q : Query Output (like in DQ, which stands for Data-in, Query-Output)

diff : Differential Signals

For Ron = RZQ/7 setting

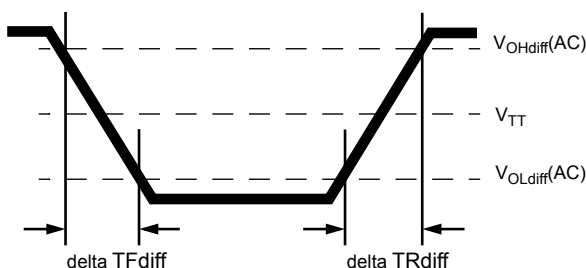


Figure 7. Differential Output Slew Rate Definition

### 9.5 Reference Load for AC Timing and Output Slew Rate

Figure 8 represents the effective reference load of 25 ohms used in defining the relevant AC timing parameters of the device as well as output slew rate measurements.

It is not intended as a precise representation of any particular system environment or a depiction of the actual load presented by a production tester. System designers should use IBIS or other simulation tools to correlate the timing reference load to a system environment. Manufacturers correlate to their production test conditions, generally one or more coaxial transmission lines terminated at the tester electronics.

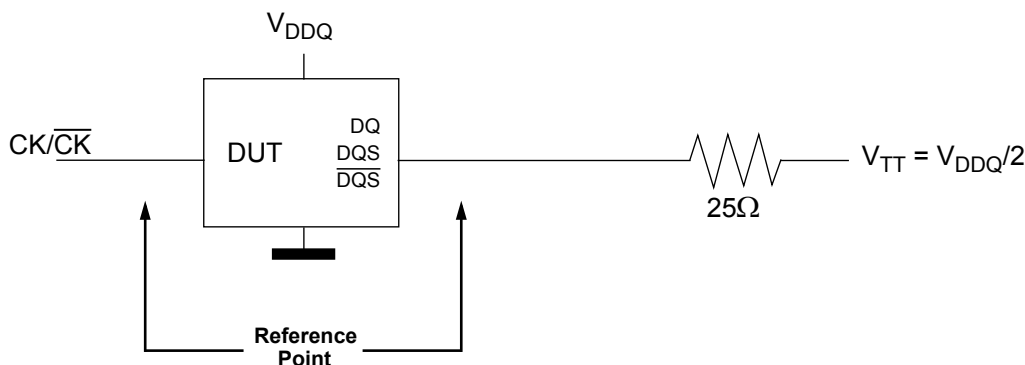


Figure 8. Reference Load for AC Timing and Output Slew Rate

## 9.6 Overshoot/Undershoot Specification

### 9.6.1 Address and Control Overshoot and Undershoot specifications

[ Table 20 ] AC overshoot/undershoot specification for Address and Control pins (A0-A12, BA0-BA2,  $\overline{CS}$ ,  $\overline{RAS}$ ,  $\overline{CAS}$ ,  $\overline{WE}$ , CKE, ODT)

| Parameter   | Specification |           |           |           |           |           | Unit |
|---|---------------|-----------|-----------|-----------|-----------|-----------|------|
|   | DDR3-800      | DDR3-1066 | DDR3-1333 | DDR3-1600 | DDR3-1866 | DDR3-2133 |      |
| Maximum peak amplitude allowed for overshoot area (See Figure 9.6.2)  | 0.4           | 0.4       | 0.4       | 0.4       | 0.4       | 0.4       | V    |
| Maximum peak amplitude allowed for undershoot area (See Figure 9.6.2)   | 0.4           | 0.4       | 0.4       | 0.4       | 0.4       | 0.4       | V    |
| Maximum overshoot area above $V_{DD}$ (See Figure 9.6.2)  | 0.67          | 0.5       | 0.4       | 0.33      | 0.28      | 0.25      | V-ns |
| Maximum undershoot area below $V_{SS}$ (See Figure 9.6.2)   | 0.67          | 0.5       | 0.4       | 0.33      | 0.28      | 0.25      | V-ns |
| (A0 - A15, BA0 - BA3, CS#, CAS#, RAS#, WE#, CKE, ODT )  |               |           |           |           |           |           |      |
| Note 1, The sum of the applied voltage (VDD) and peak amplitude overshoot voltage is not to exceed absolute maximum DC ratings  |               |           |           |           |           |           |      |
| Note 2, The sum of applied voltage (VDD) and the peak amplitude undershoot voltage is not to exceed absolute maximum DC ratings |               |           |           |           |           |           |      |

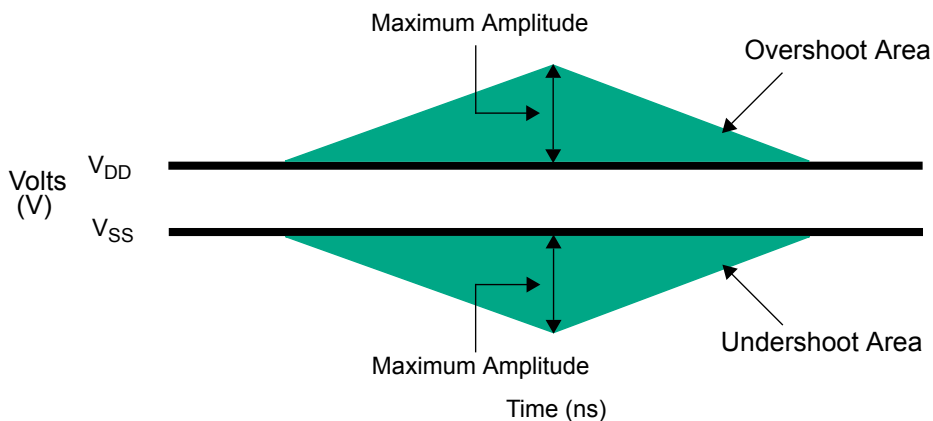


Figure 9. Address and Control Overshoot and Undershoot Definition

9.6.2 Clock, Data, Strobe and Mask Overshoot and Undershoot Specifications

[ Table 21 ] AC overshoot/undershoot specification for Clock, Data, Strobe and Mask (DQ, DQS,  $\overline{DQS}$ , DM, CK,  $\overline{CK}$ )

| Parameter  | Specification |           |           |           |           |           | Unit |
|--|---------------|-----------|-----------|-----------|-----------|-----------|------|
|  | DDR3-800      | DDR3-1066 | DDR3-1333 | DDR3-1600 | DDR3-1866 | DDR3-2133 |      |
| Maximum peak amplitude allowed for overshoot area (See Figure 10)  | 0.4           | 0.4       | 0.4       | 0.4       | 0.4       | 0.4       | V    |
| Maximum peak amplitude allowed for undershoot area (See Figure 10)   | 0.4           | 0.4       | 0.4       | 0.4       | 0.4       | 0.4       | V    |
| Maximum overshoot area above $V_{DDQ}$ (See Figure 10)   | 0.25          | 0.19      | 0.15      | 0.13      | 0.11      | 0.10      | V-ns |
| Maximum undershoot area below $V_{SSQ}$ (See Figure 10)  | 0.25          | 0.19      | 0.15      | 0.13      | 0.11      | 0.10      | V-ns |
| (CK, CK#, DQ, DQS, $\overline{DQS}$ , DM)  |               |           |           |           |           |           |      |
| Note 1, The sum of the applied voltage ( $V_{DD}$ ) and peak amplitude overshoot voltage is not to exceed absolute maximum DC ratings  |               |           |           |           |           |           |      |
| Note 2, The sum of applied voltage ( $V_{DD}$ ) and the peak amplitude undershoot voltage is not to exceed absolute maximum DC ratings |               |           |           |           |           |           |      |

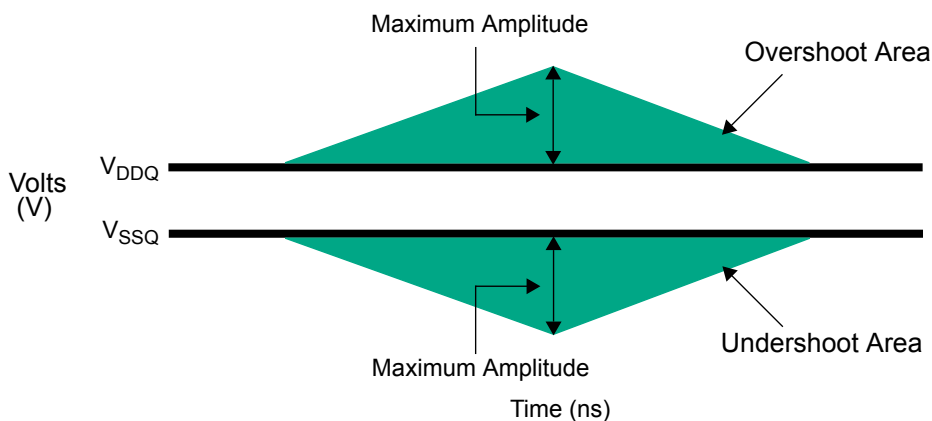


Figure 10. Clock, Data, Strobe and Mask Overshoot and Undershoot Definition

### 9.7 34ohm Output Driver DC Electrical Characteristics

A functional representation of the output buffer is shown below. Output driver impedance RON is defined by the value of external reference resistor RZQ as follows:

$$RON_{34} = RZQ/7 \text{ (Nominal 34.3ohms +/- 10% with nominal RZQ=240ohm)}$$

The individual Pull-up and Pull-down resistors (RONpu and RONpd) are defined as follows

$$RON_{pu} = \frac{V_{DDQ} - V_{OUT}}{|I_{out}|} \quad \text{under the condition that } RON_{pd} \text{ is turned off}$$

$$RON_{pd} = \frac{V_{OUT}}{|I_{out}|} \quad \text{under the condition that } RON_{pu} \text{ is turned off}$$

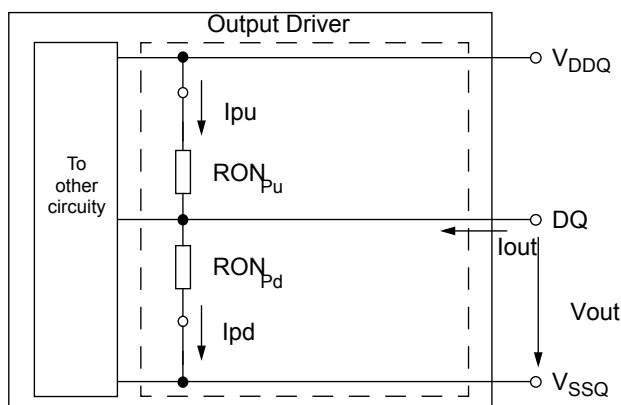


Figure 11. Output Driver : Definition of Voltages and Currents

[ Table 22 ] Output Driver DC Electrical Characteristics, assuming RZQ=240ohms ; entire operating temperature range ; after proper ZQ calibration

| RONnom   | Resistor | Vout                            | Min | Nom | Max | Units | NOTE  |
|--|----------|---------------------------------|-----|-----|-----|-------|-------|
| 34Ohms   | RON34pd  | $V_{OLdc} = 0.2 \times V_{DDQ}$ | 0.6 | 1.0 | 1.1 | RZQ/7 | 1,2,3 |
|  |          | $V_{OMdc} = 0.5 \times V_{DDQ}$ | 0.9 | 1.0 | 1.1 |       | 1,2,3 |
|  |          | $V_{OHdc} = 0.8 \times V_{DDQ}$ | 0.9 | 1.0 | 1.4 |       | 1,2,3 |
|  | RON34pu  | $V_{OLdc} = 0.2 \times V_{DDQ}$ | 0.9 | 1.0 | 1.4 |       | 1,2,3 |
|  |          | $V_{OMdc} = 0.5 \times V_{DDQ}$ | 0.9 | 1.0 | 1.1 |       | 1,2,3 |
|  |          | $V_{OHdc} = 0.8 \times V_{DDQ}$ | 0.6 | 1.0 | 1.1 |       | 1,2,3 |
| 40Ohms   | RON40pd  | $V_{OLdc} = 0.2 \times V_{DDQ}$ | 0.6 | 1.0 | 1.1 | RZQ/6 | 1,2,3 |
|  |          | $V_{OMdc} = 0.5 \times V_{DDQ}$ | 0.9 | 1.0 | 1.1 |       | 1,2,3 |
|  |          | $V_{OHdc} = 0.8 \times V_{DDQ}$ | 0.9 | 1.0 | 1.4 |       | 1,2,3 |
|  | RON40pu  | $V_{OLdc} = 0.2 \times V_{DDQ}$ | 0.9 | 1.0 | 1.4 |       | 1,2,3 |
|  |          | $V_{OMdc} = 0.5 \times V_{DDQ}$ | 0.9 | 1.0 | 1.1 |       | 1,2,3 |
|  |          | $V_{OHdc} = 0.8 \times V_{DDQ}$ | 0.6 | 1.0 | 1.1 |       | 1,2,3 |
| Mismatch between Pull-up and Pull-down, MMpupd |          | $V_{OMdc} = 0.5 \times V_{DDQ}$ | -10 |     | 10  | %     | 1,2,4 |

- NOTE :**
- The tolerance limits are specified after calibration with stable voltage and temperature. For the behavior of the tolerance limits if temperature or voltage changes after calibration, see following section on voltage and temperature sensitivity
  - The tolerance limits are specified under the condition that  $V_{DDQ} = V_{DD}$  and that  $V_{SSQ} = V_{SS}$
  - Pull-down and pull-up output driver impedance are recommended to be calibrated at  $0.5 \times V_{DDQ}$ . Other calibration schemes may be used to achieve the linearity spec shown above, e.g. calibration at  $0.2 \times V_{DDQ}$  and  $0.8 \times V_{DDQ}$
  - Measurement definition for mismatch between pull-up and pull-down, MMpupd: Measure  $RON_{pu}$  and  $RON_{pd}$ . both at  $0.5 \times V_{DDQ}$ :

$$MMpupd = \frac{RON_{pu} - RON_{pd}}{RON_{nom}} \times 100$$

### 9.7.1 Output Drive Temperature and Voltage Sensitivity

If temperature and/or voltage change after calibration, the tolerance limits widen according to Table 23 and Table 24.

$\Delta T = T - T(@calibration)$ ;  $\Delta V = V_{DDQ} - V_{DDQ}(@calibration)$ ;  $V_{DD} = V_{DDQ}$

\* $dR_{ONdT}$  and  $dR_{ONdV}$  are not subject to production test but are verified by design and characterization

[ Table 23 ] Output Driver Sensitivity Definition

|             | Min   | Max   | Units |
|-------------|---|---|-------|
| RONPU@VOHDC | $0.6 - dR_{ONdTH} *  \Delta T  - dR_{ONdVH} *  \Delta V $ | $1.1 + dR_{ONdTH} *  \Delta T  + dR_{ONdVH} *  \Delta V $ | RZQ/7 |
| RON@VOMDC   | $0.9 - dR_{ONdTM} *  \Delta T  - dR_{ONdVM} *  \Delta V $ | $1.1 + dR_{ONdTM} *  \Delta T  + dR_{ONdVM} *  \Delta V $ | RZQ/7 |
| RONPD@VOLDC | $0.6 - dR_{ONdTL} *  \Delta T  - dR_{ONdVL} *  \Delta V $ | $1.1 + dR_{ONdTL} *  \Delta T  + dR_{ONdVL} *  \Delta V $ | RZQ/7 |

[ Table 24 ] Output Driver Voltage and Temperature Sensitivity

| Speed Bin    | DDR3-800/1066/1333 |      | DDR3-1600/1866/2133 |      | Units |
|--------------|--------------------|------|---------------------|------|-------|
|              | Min                | Max  | Min                 | Max  |       |
| $dR_{ONdTM}$ | 0                  | 1.5  | 0                   | 1.5  | %/°C  |
| $dR_{ONdVM}$ | 0                  | 0.15 | 0                   | 0.13 | %/mV  |
| $dR_{ONdTL}$ | 0                  | 1.5  | 0                   | 1.5  | %/°C  |
| $dR_{ONdVL}$ | 0                  | 0.15 | 0                   | 0.13 | %/mV  |
| $dR_{ONdTH}$ | 0                  | 1.5  | 0                   | 1.5  | %/°C  |
| $dR_{ONdVH}$ | 0                  | 0.15 | 0                   | 0.13 | %/mV  |

### 9.8 On-Die Termination (ODT) Levels and I-V Characteristics

On-Die Termination effective resistance  $R_{TT}$  is defined by bits A9, A6 and A2 of MR1 register.

ODT is applied to the DQ, DM,  $\overline{DQS}/\overline{DQS}$  and  $\overline{TDQS}/\overline{TDQS}$  (x8 devices only) pins.

A functional representation of the on-die termination is shown below. The individual pull-up and pull-down resistors ( $R_{TTpu}$  and  $R_{TTpd}$ ) are defined as follows :

$$R_{TTpu} = \frac{V_{DDQ} - V_{OUT}}{|I_{out}|} \quad \text{under the condition that } R_{TTpd} \text{ is turned off}$$

$$R_{TTpd} = \frac{V_{OUT}}{|I_{out}|} \quad \text{under the condition that } R_{TTpu} \text{ is turned off}$$

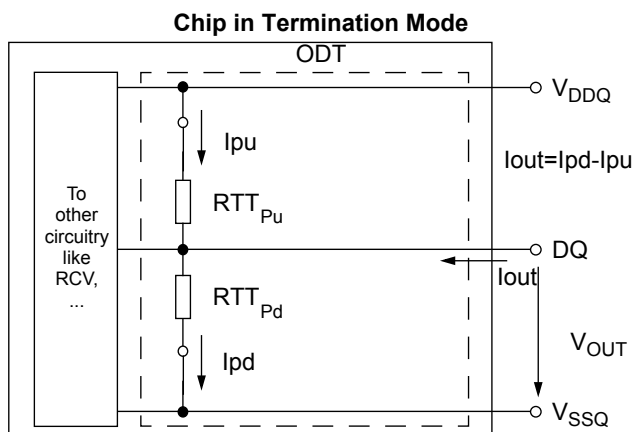


Figure 12. On-Die Termination : Definition of Voltages and Currents

## 9.8.1 ODT DC Electrical Characteristics

Table 25 provides an overview of the ODT DC electrical characteristics. The values for  $RTT_{60pd120}$ ,  $RTT_{60pu120}$ ,  $RTT_{120pd240}$ ,  $RTT_{120pu240}$ ,  $RTT_{40pd80}$ ,  $RTT_{40pu80}$ ,  $RTT_{30pd60}$ ,  $RTT_{30pu60}$ ,  $RTT_{20pd40}$ ,  $RTT_{20pu40}$  are not specification requirements, but can be used as design guide lines:

[ Table 25 ] ODT DC Electrical Characteristics, assuming  $RZQ=240\text{ohm} \pm 1\%$  entire operating temperature range; after proper ZQ calibration

| MR1 (A9,A6,A2)                                      | RTT                                 | RESISTOR                | Vout                     | Min | Nom                 | Max   | Unit               | NOTE    |
|---|-------------------------------------|-------------------------|--------------------------|-----|---------------------|-------|--------------------|---------|
| (0,1,0)   | 120 ohm                             | RTT <sub>120pd240</sub> | $V_{OL}(DC) 0.2XV_{DDQ}$ | 0.6 | 1.0                 | 1.1   | R <sub>ZQ</sub>    | 1,2,3,4 |
|   |                                     |                         | $0.5XV_{DDQ}$            | 0.9 | 1.0                 | 1.1   | R <sub>ZQ</sub>    | 1,2,3,4 |
|   |                                     |                         | $V_{OH}(DC) 0.8XV_{DDQ}$ | 0.9 | 1.0                 | 1.4   | R <sub>ZQ</sub>    | 1,2,3,4 |
|   |                                     | RTT <sub>120pu240</sub> | $V_{OL}(DC) 0.2XV_{DDQ}$ | 0.9 | 1.0                 | 1.4   | R <sub>ZQ</sub>    | 1,2,3,4 |
|   |                                     |                         | $0.5XV_{DDQ}$            | 0.9 | 1.0                 | 1.1   | R <sub>ZQ</sub>    | 1,2,3,4 |
|   |                                     |                         | $V_{OH}(DC) 0.8XV_{DDQ}$ | 0.6 | 1.0                 | 1.1   | R <sub>ZQ</sub>    | 1,2,3,4 |
| RTT <sub>120</sub>                                  | $V_{IL}(AC) \text{ to } V_{IH}(AC)$ | 0.9                     | 1.0                      | 1.6 | R <sub>ZQ</sub> /2  | 1,2,5 |                    |         |
| (0,0,1)   | 60 ohm                              | RTT <sub>60pd240</sub>  | $V_{OL}(DC) 0.2XV_{DDQ}$ | 0.6 | 1.0                 | 1.1   | R <sub>ZQ</sub> /2 | 1,2,3,4 |
|   |                                     |                         | $0.5XV_{DDQ}$            | 0.9 | 1.0                 | 1.1   | R <sub>ZQ</sub> /2 | 1,2,3,4 |
|   |                                     |                         | $V_{OH}(DC) 0.8XV_{DDQ}$ | 0.9 | 1.0                 | 1.4   | R <sub>ZQ</sub> /2 | 1,2,3,4 |
|   |                                     | RTT <sub>60pu240</sub>  | $V_{OL}(DC) 0.2XV_{DDQ}$ | 0.9 | 1.0                 | 1.4   | R <sub>ZQ</sub> /2 | 1,2,3,4 |
|   |                                     |                         | $0.5XV_{DDQ}$            | 0.9 | 1.0                 | 1.1   | R <sub>ZQ</sub> /2 | 1,2,3,4 |
|   |                                     |                         | $V_{OH}(DC) 0.8XV_{DDQ}$ | 0.6 | 1.0                 | 1.1   | R <sub>ZQ</sub> /2 | 1,2,3,4 |
| RTT <sub>60</sub>                                   | $V_{IL}(AC) \text{ to } V_{IH}(AC)$ | 0.9                     | 1.0                      | 1.6 | R <sub>ZQ</sub> /4  | 1,2,5 |                    |         |
| (0,1,1)   | 40 ohm                              | RTT <sub>40pd240</sub>  | $V_{OL}(DC) 0.2XV_{DDQ}$ | 0.6 | 1.0                 | 1.1   | R <sub>ZQ</sub> /3 | 1,2,3,4 |
|   |                                     |                         | $0.5XV_{DDQ}$            | 0.9 | 1.0                 | 1.1   | R <sub>ZQ</sub> /3 | 1,2,3,4 |
|   |                                     |                         | $V_{OH}(DC) 0.8XV_{DDQ}$ | 0.9 | 1.0                 | 1.4   | R <sub>ZQ</sub> /3 | 1,2,3,4 |
|   |                                     | RTT <sub>40pu240</sub>  | $V_{OL}(DC) 0.2XV_{DDQ}$ | 0.9 | 1.0                 | 1.4   | R <sub>ZQ</sub> /3 | 1,2,3,4 |
|   |                                     |                         | $0.5XV_{DDQ}$            | 0.9 | 1.0                 | 1.1   | R <sub>ZQ</sub> /3 | 1,2,3,4 |
|   |                                     |                         | $V_{OH}(DC) 0.8XV_{DDQ}$ | 0.6 | 1.0                 | 1.1   | R <sub>ZQ</sub> /3 | 1,2,3,4 |
| RTT <sub>40</sub>                                   | $V_{IL}(AC) \text{ to } V_{IH}(AC)$ | 0.9                     | 1.0                      | 1.6 | R <sub>ZQ</sub> /6  | 1,2,5 |                    |         |
| (1,0,1)   | 30 ohm                              | RTT <sub>60pd240</sub>  | $V_{OL}(DC) 0.2XV_{DDQ}$ | 0.6 | 1.0                 | 1.1   | R <sub>ZQ</sub> /4 | 1,2,3,4 |
|   |                                     |                         | $0.5XV_{DDQ}$            | 0.9 | 1.0                 | 1.1   | R <sub>ZQ</sub> /4 | 1,2,3,4 |
|   |                                     |                         | $V_{OH}(DC) 0.8XV_{DDQ}$ | 0.9 | 1.0                 | 1.4   | R <sub>ZQ</sub> /4 | 1,2,3,4 |
|   |                                     | RTT <sub>60pu240</sub>  | $V_{OL}(DC) 0.2XV_{DDQ}$ | 0.9 | 1.0                 | 1.4   | R <sub>ZQ</sub> /4 | 1,2,3,4 |
|   |                                     |                         | $0.5XV_{DDQ}$            | 0.9 | 1.0                 | 1.1   | R <sub>ZQ</sub> /4 | 1,2,3,4 |
|   |                                     |                         | $V_{OH}(DC) 0.8XV_{DDQ}$ | 0.6 | 1.0                 | 1.1   | R <sub>ZQ</sub> /4 | 1,2,3,4 |
| RTT <sub>60</sub>                                   | $V_{IL}(AC) \text{ to } V_{IH}(AC)$ | 0.9                     | 1.0                      | 1.6 | R <sub>ZQ</sub> /8  | 1,2,5 |                    |         |
| (1,0,0)   | 20 ohm                              | RTT <sub>60pd240</sub>  | $V_{OL}(DC) 0.2XV_{DDQ}$ | 0.6 | 1.0                 | 1.1   | R <sub>ZQ</sub> /6 | 1,2,3,4 |
|   |                                     |                         | $0.5XV_{DDQ}$            | 0.9 | 1.0                 | 1.1   | R <sub>ZQ</sub> /6 | 1,2,3,4 |
|   |                                     |                         | $V_{OH}(DC) 0.8XV_{DDQ}$ | 0.9 | 1.0                 | 1.4   | R <sub>ZQ</sub> /6 | 1,2,3,4 |
|   |                                     | RTT <sub>60pu240</sub>  | $V_{OL}(DC) 0.2XV_{DDQ}$ | 0.9 | 1.0                 | 1.4   | R <sub>ZQ</sub> /6 | 1,2,3,4 |
|   |                                     |                         | $0.5XV_{DDQ}$            | 0.9 | 1.0                 | 1.1   | R <sub>ZQ</sub> /6 | 1,2,3,4 |
|   |                                     |                         | $V_{OH}(DC) 0.8XV_{DDQ}$ | 0.6 | 1.0                 | 1.1   | R <sub>ZQ</sub> /6 | 1,2,3,4 |
| RTT <sub>60</sub>                                   | $V_{IL}(AC) \text{ to } V_{IH}(AC)$ | 0.9                     | 1.0                      | 1.6 | R <sub>ZQ</sub> /12 | 1,2,5 |                    |         |
| Deviation of $V_M$ w.r.t $V_{DDQ}/2$ , $\Delta V_M$ |                                     |                         |                          | -5  |                     | 5     | %                  | 1,2,5,6 |



**NOTE :**

1. The tolerance limits are specified after calibration with stable voltage and temperature. For the behavior of the tolerance limits if temperature or voltage changes after calibration, see following section on voltage and temperature sensitivity
2. The tolerance limits are specified under the condition that  $V_{DDQ} = V_{DD}$  and that  $V_{SSQ} = V_{SS}$
3. Pull-down and pull-up ODT resistors are recommended to be calibrated at  $0.5XV_{DDQ}$ . Other calibration schemes may be used to achieve the linearity spec shown above, e.g. calibration at  $0.2XV_{DDQ}$  and  $0.8XV_{DDQ}$ .
4. Not a specification requirement, but a design guide line
5. Measurement definition for  $R_{TT}$ :  
Apply  $V_{IH}(AC)$  to pin under test and measure current  $I(V_{IH}(AC))$ , then apply  $V_{IL}(AC)$  to pin under test and measure current  $I(V_{IL}(AC))$  respectively

$$R_{TT} = \frac{V_{IH}(AC) - V_{IL}(AC)}{I(V_{IH}(AC)) - I(V_{IL}(AC))}$$

6. Measurement definition for  $V_M$  and  $\Delta V_M$ : Measure voltage ( $V_M$ ) at test pin (midpoint) with no load

$$\Delta V_M = \left( \frac{2 \times V_M}{V_{DDQ}} - 1 \right) \times 100$$

## 9.8.2 ODT Temperature and Voltage sensitivity

If temperature and/or voltage change after calibration, the tolerance limits widen according to table below

$\Delta T = T - T(@\text{calibration})$ ;  $\Delta V = V_{DDQ} - V_{DDQ}(@\text{calibration})$ ;  $V_{DD} = V_{DDQ}$

[ Table 26 ] ODT Sensitivity Definition

|          | Min   | Max   | Units          |
|----------|---|---|----------------|
| $R_{TT}$ | $0.9 - dR_{TT}dT *  \Delta T  - dR_{TT}dV *  \Delta V $ | $1.6 + dR_{TT}dT *  \Delta T  + dR_{TT}dV *  \Delta V $ | RZQ/2,4,6,8,12 |

[ Table 27 ] ODT Voltage and Temperature Sensitivity

|             | Min | Max  | Units |
|-------------|-----|------|-------|
| $dR_{TT}dT$ | 0   | 1.5  | %/°C  |
| $dR_{TT}dV$ | 0   | 0.15 | %/mV  |

**NOTE :** These parameters may not be subject to production test. They are verified by design and characterization.

## 9.9 ODT Timing Definitions

### 9.9.1 Test Load for ODT Timings

Different than for timing measurements, the reference load for ODT timings is defined in Figure 13.

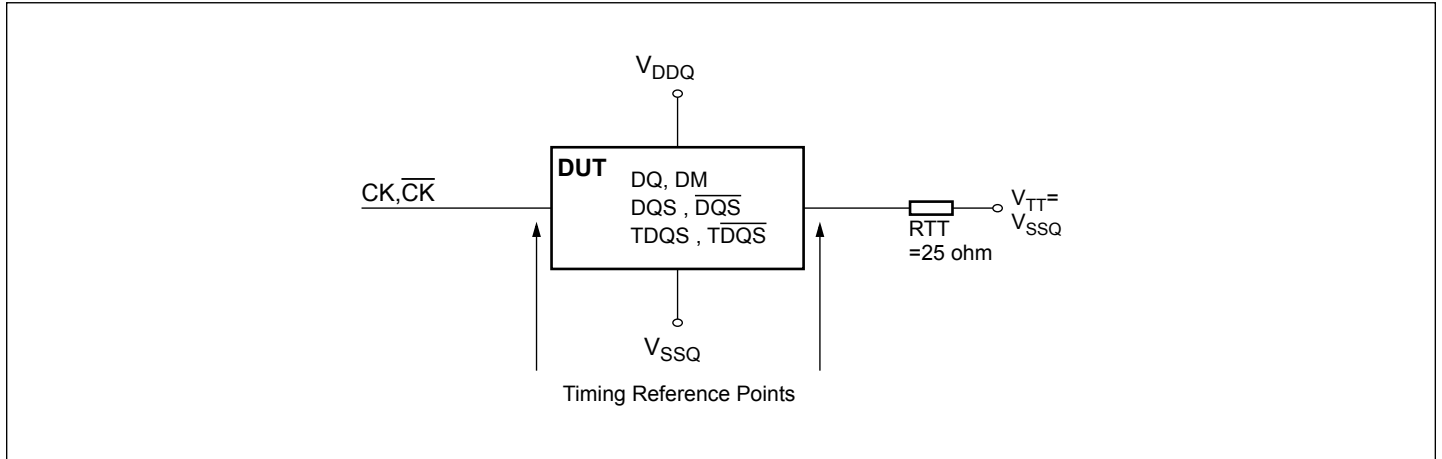


Figure 13. ODT Timing Reference Load

### 9.9.2 ODT Timing Definitions

Definitions for tAON, tAONPD, tAOF, tAOFPD and tADC are provided in Table 28 and subsequent figures. Measurement reference settings are provided in Table 29.

[ Table 28 ] ODT Timing Definitions

| Symbol | Begin Point Definition   | End Point Definition   | Figure    |
|--------|--|--|-----------|
| tAON   | Rising edge of CK - $\overline{CK}$ defined by the end point of ODTLon                         | Extrapolated point at $V_{SSQ}$  | Figure 14 |
| tAONPD | Rising edge of CK - $\overline{CK}$ with ODT being first registered high                       | Extrapolated point at $V_{SSQ}$  | Figure 15 |
| tAOF   | Rising edge of CK - $\overline{CK}$ defined by the end point of ODTLoff                        | End point: Extrapolated point at $V_{RTT\_Nom}$                                | Figure 16 |
| tAOFPD | Rising edge of CK - $\overline{CK}$ with ODT being first registered low                        | End point: Extrapolated point at $V_{RTT\_Nom}$                                | Figure 17 |
| tADC   | Rising edge of CK - $\overline{CK}$ defined by the end point of ODTLcwn, ODTL-cwn4 of ODTLcwn8 | End point: Extrapolated point at $V_{RTT\_Wr}$ and $V_{RTT\_Nom}$ respectively | Figure 18 |

[ Table 29 ] Reference Settings for ODT Timing Measurements

| Measured Parameter | RTT_Nom Setting | RTT_Wr Setting | V <sub>sw1</sub> [V] | V <sub>sw2</sub> [V] | NOTE |
|--------------------|-----------------|----------------|----------------------|----------------------|------|
| tAON               | $R_{ZQ}/4$      | NA             | 0.05                 | 0.10                 |      |
|                    | $R_{ZQ}/12$     | NA             | 0.10                 | 0.20                 |      |
| tAONPD             | $R_{ZQ}/4$      | NA             | 0.05                 | 0.10                 |      |
|                    | $R_{ZQ}/12$     | NA             | 0.10                 | 0.20                 |      |
| tAOF               | $R_{ZQ}/4$      | NA             | 0.05                 | 0.10                 |      |
|                    | $R_{ZQ}/12$     | NA             | 0.10                 | 0.20                 |      |
| tAOFPD             | $R_{ZQ}/4$      | NA             | 0.05                 | 0.10                 |      |
|                    | $R_{ZQ}/12$     | NA             | 0.10                 | 0.20                 |      |
| tADC               | $R_{ZQ}/12$     | $R_{ZQ}/2$     | 0.20                 | 0.30                 |      |

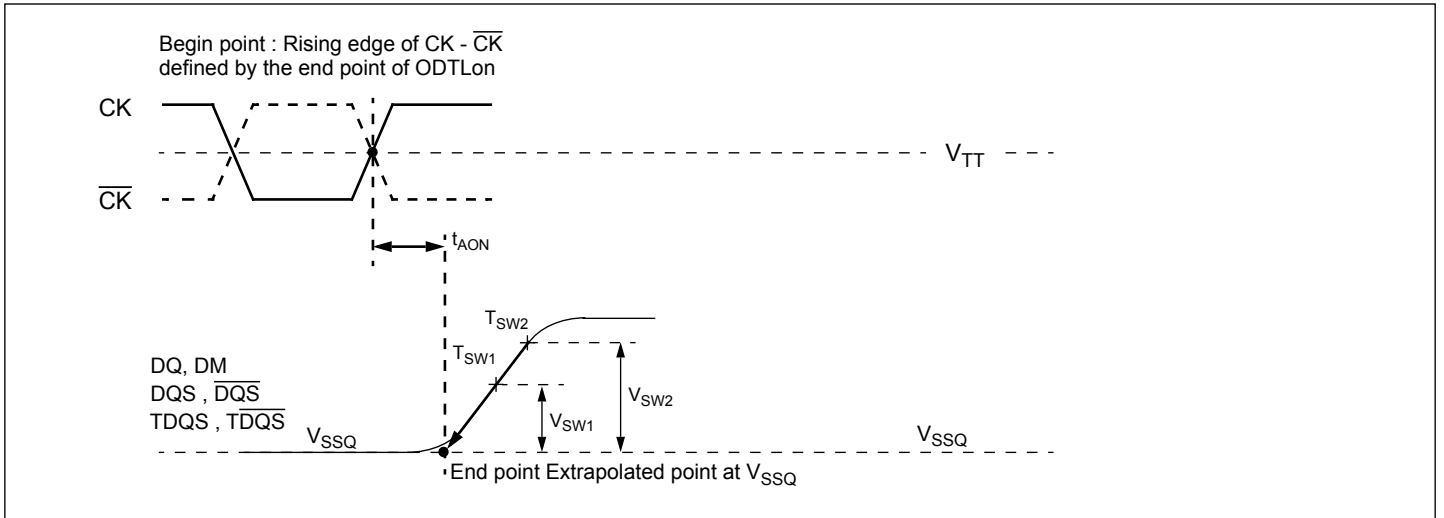


Figure 14. Definition of tAON

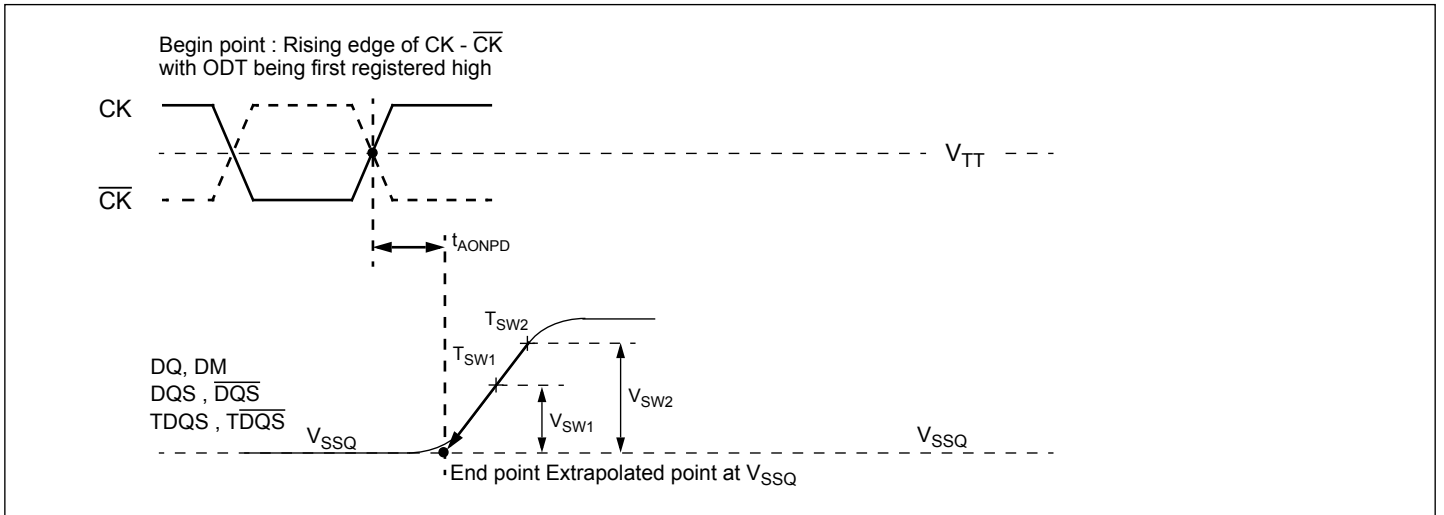


Figure 15. Definition of tAONPD

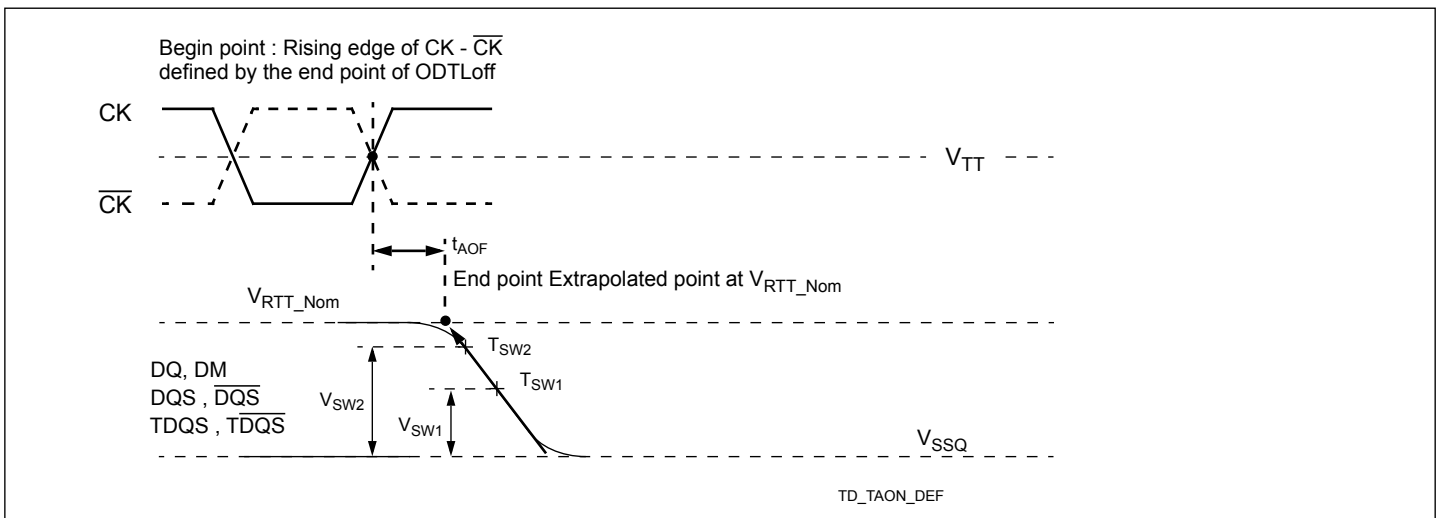


Figure 16. Definition of tAOF

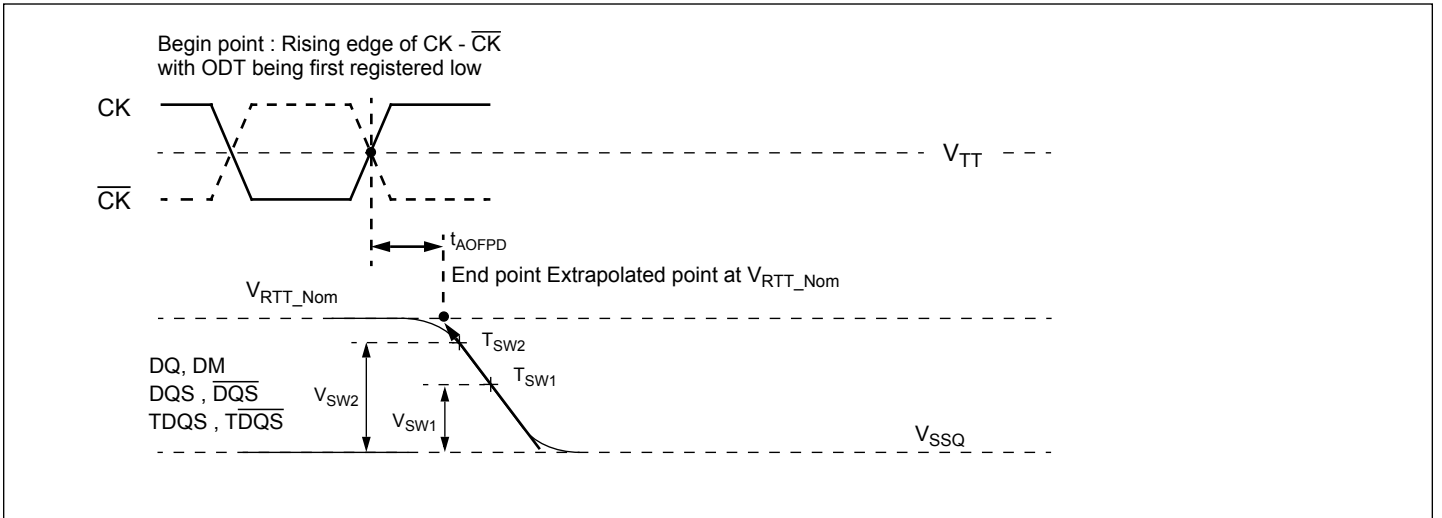


Figure 17. Definition of  $t_{AOFPD}$

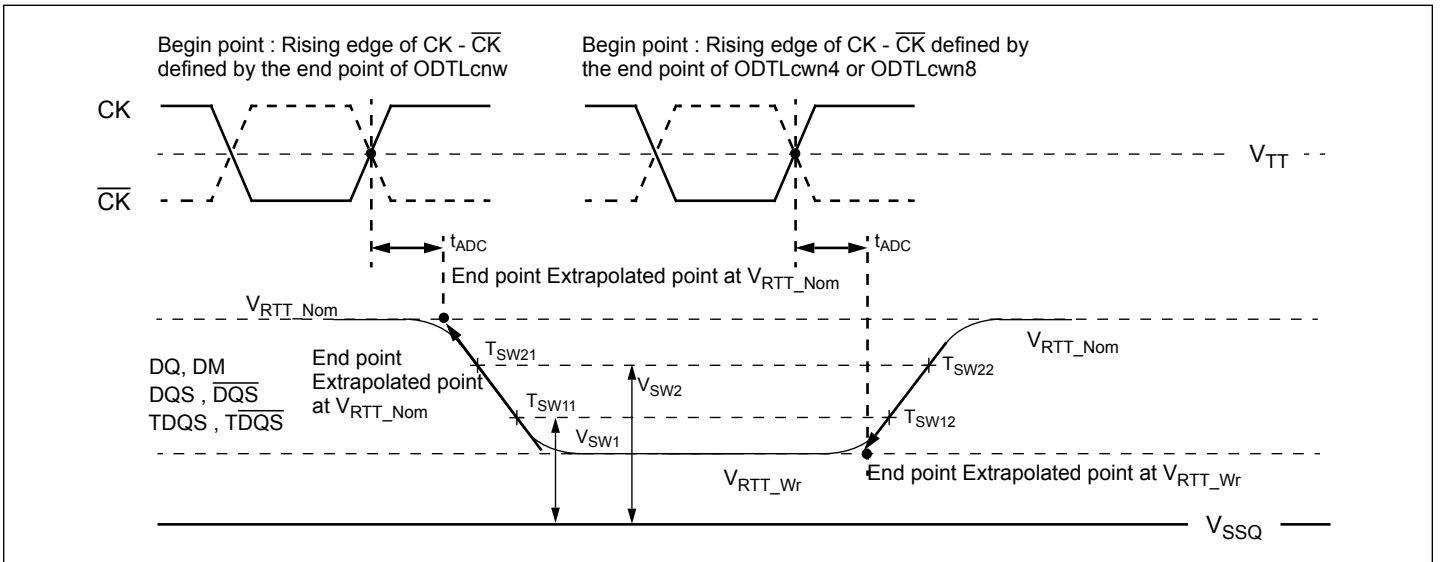


Figure 18. Definition of  $t_{ADC}$

## 10. IDD Current Measure Method

### 10.1 IDD Measurement Conditions

In this chapter, IDD and IDDQ measurement conditions such as test load and patterns are defined. Figure 19 shows the setup and test load for IDD and IDDQ measurements.

- **IDD currents** (such as IDD0, IDD1, IDD2N, IDD2NT, IDD2P0, IDD2P1, IDD2Q, IDD3N, IDD3P, IDD4R, IDD4W, IDD5B, IDD6, IDD6ET, IDD6TC and IDD7) are measured as time-averaged currents with all  $V_{DD}$  balls of the DDR3 SDRAM under test tied together. Any IDDQ current is not included in IDD currents.
- **IDDQ currents** (such as IDDQ2NT and IDDQ4R) are measured as time-averaged currents with all  $V_{DDQ}$  balls of the DDR3 SDRAM under test tied together. Any IDD current is not included in IDDQ currents.

**Attention** : IDDQ values cannot be directly used to calculate IO power of the DDR3 SDRAM. They can be used to support correlation of simulated IO power to actual IO power as outlined in Figure 20. In DRAM module application, IDDQ cannot be measured separately since  $V_{DD}$  and  $V_{DDQ}$  are using one merged-power layer in Module PCB.

**For IDD and IDDQ measurements, the following definitions apply :**

- "0" and "LOW" is defined as  $V_{IN} \leq V_{ILAC(max)}$ .
- "1" and "HIGH" is defined as  $V_{IN} \geq V_{IHAC(min)}$ .
- "FLOATING" is defined as inputs are  $V_{REF} = V_{DD} / 2$ .
- "Timing used for IDD and IDDQ Measured - Loop Patterns" are provided in Table 30
- "Basic IDD and IDDQ Measurement Conditions" are described in Table 31
- Detailed IDD and IDDQ Measurement-Loop Patterns are described in Table 32 on page 31 through Table 39.
- IDD Measurements are done after properly initializing the DDR3 SDRAM. This includes but is not limited to setting  
RON = RZQ/7 (34 Ohm in MR1);  
Qoff = 0B (Output Buffer enabled in MR1);  
RTT\_Nom = RZQ/6 (40 Ohm in MR1);  
RTT\_Wr = RZQ/2 (120 Ohm in MR2);  
TDQS Feature disabled in MR1
- **Attention** : The IDD and IDDQ Measurement-Loop Patterns need to be executed at least one time before actual IDD or IDDQ measurement is started.
- Define  $\bar{D} = \{\overline{CS}, \overline{RAS}, \overline{CAS}, \overline{WE}\} := \{HIGH, LOW, LOW, LOW\}$
- Define  $\bar{D} = \{\overline{CS}, \overline{RAS}, \overline{CAS}, \overline{WE}\} := \{HIGH, HIGH, HIGH, HIGH\}$
- RESET Stable time is : During a Cold Boot RESET (Initialization), current reading is valid once power is stable and RESET has been LOW for 1ms;  
During Warm Boot RESET(while operating), current reading is valid after RESET has been LOW for 200ns + tRFC

[ Table 30 ] Timing used for IDD and IDDQ Measured - Loop Patterns

| Parameter         | Bin | DDR3-800 | DDR3-1066 | DDR3-1333 | DDR3-1600 | DDR3-1866 | DDR3-2133 | Unit |
|-------------------|-----|----------|-----------|-----------|-----------|-----------|-----------|------|
|                   |     | 6-6-6    | 7-7-7     | 9-9-9     | 11-11-11  | 13-13-13  | 14-14-14  |      |
| tCKmin(IDD)       |     | 2.5      | 1.875     | 1.5       | 1.25      | 1.071     | 0.938     | ns   |
| CL(IDD)           |     | 6        | 7         | 9         | 11        | 13        | 14        | nCK  |
| tRCDmin(IDD)      |     | 6        | 7         | 9         | 11        | 13        | 14        | nCK  |
| tRCmin(IDD)       |     | 21       | 27        | 33        | 39        | 45        | 50        | nCK  |
| tRASmin(IDD)      |     | 15       | 20        | 24        | 28        | 32        | 36        | nCK  |
| tRPmin(IDD)       |     | 6        | 7         | 9         | 11        | 13        | 14        | nCK  |
| tFAW(IDD)         | x16 | 20       | 27        | 30        | 32        | 33        | 27        | nCK  |
| tRRD(IDD)         | x16 | 4        | 6         | 5         | 6         | 6         | 38        | nCK  |
| tRFC(IDD) - 512Mb |     | 36       | 48        | 60        | 72        | 85        | 6         | nCK  |
| tRFC(IDD) - 1Gb   |     | 44       | 59        | 74        | 88        | 103       | 7         | nCK  |
| tRFC(IDD) - 2Gb   |     | 64       | 86        | 107       | 128       | 150       | 97        | nCK  |
| tRFC(IDD) - 4Gb   |     | 104      | 139       | 174       | 208       | 243       | 118       | nCK  |
| tRFC(IDD) - 8Gb   |     | 140      | 187       | 234       | 280       | 328       | 172       | nCK  |

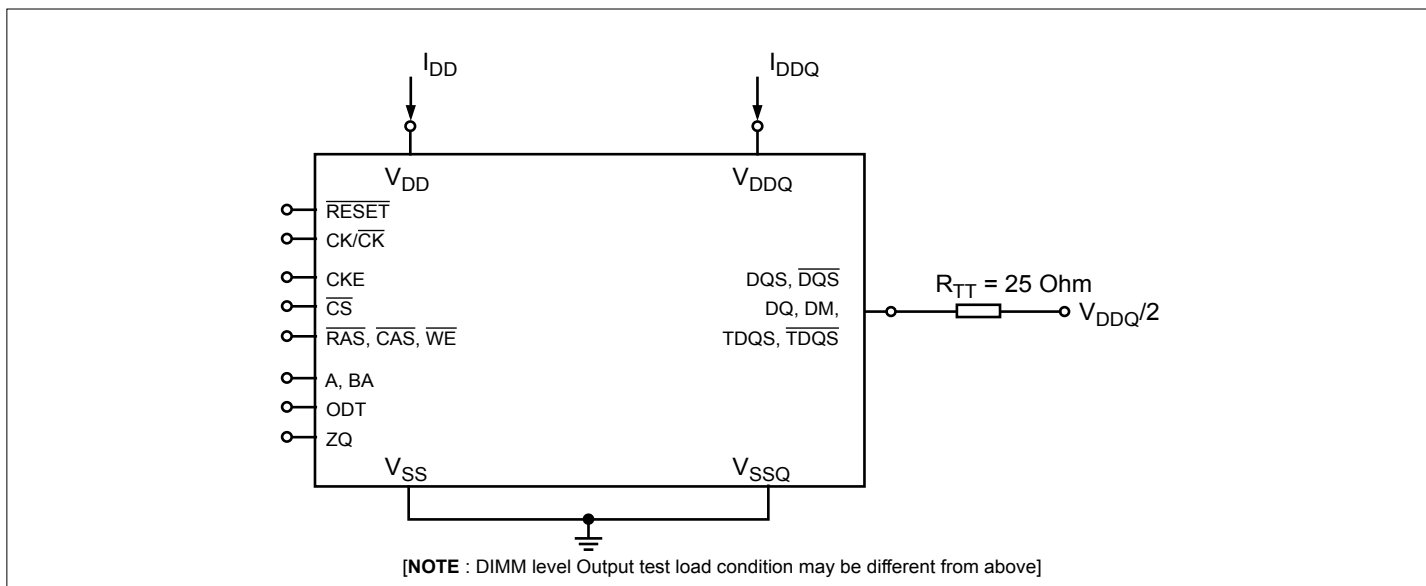


Figure 19. Measurement Setup and Test Load for IDD and IDDQ Measurements

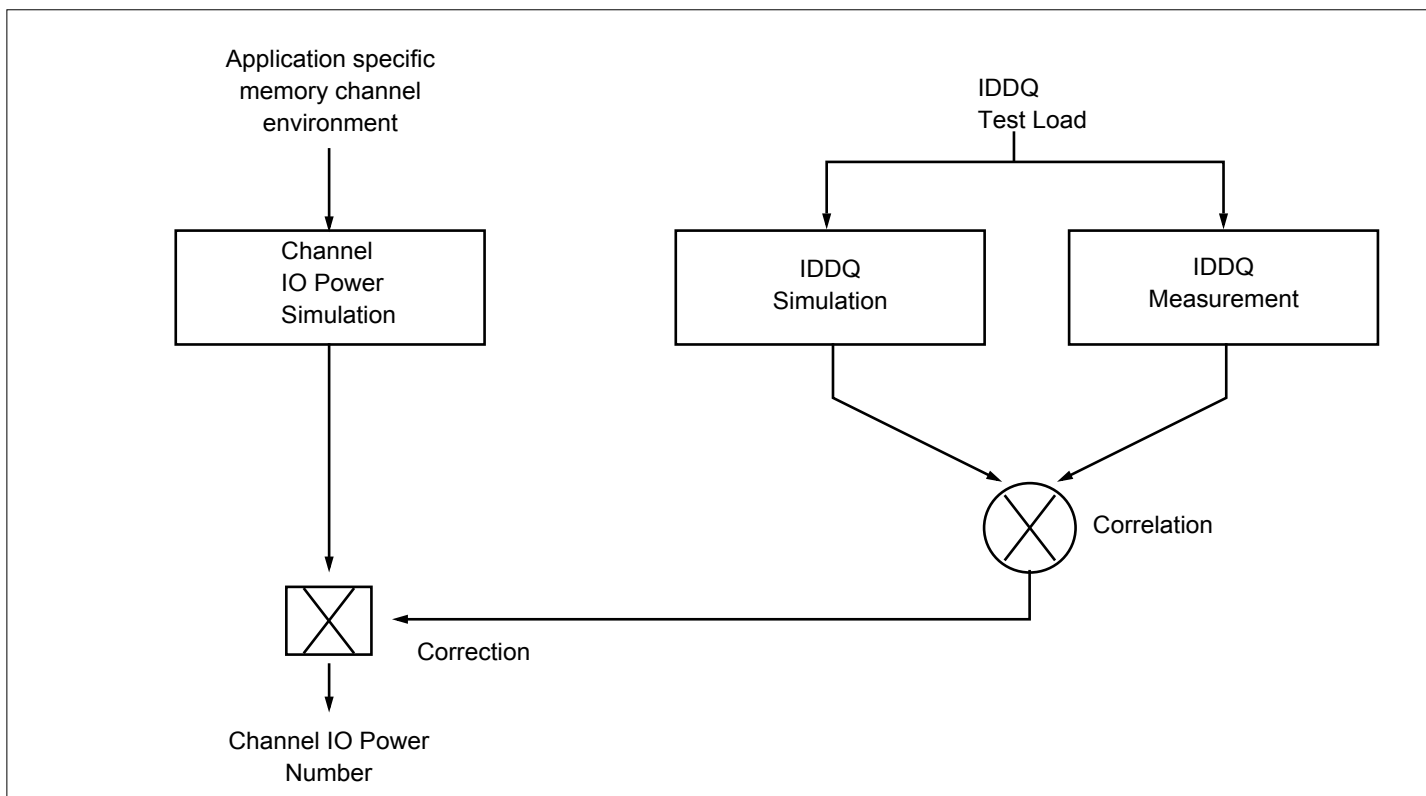


Figure 20. Correlation from simulated Channel IO Power to actual Channel IO Power supported by IDDQ Measurement.

[ Table 31 ] Basic IDD and IDDQ Measurement Conditions

| Symbol  | Description   |
|---------|---|
| IDD0    | <b>Operating One Bank Active-Precharge Current</b><br><b>CKE:</b> High; <b>External clock:</b> On; <b>tCK, nRC, nRAS, CL:</b> see Table 30 on page 29 ; <b>BL:</b> 8 <sup>1)</sup> ; <b>AL:</b> 0; <b><math>\overline{CS}</math>:</b> High between ACT and PRE; <b>Command, Address, Bank Address Inputs:</b> partially toggling according to Table 32 on page 33 ; <b>Data IO:</b> FLOATING; <b>DM:</b> stable at 0; <b>Bank Activity:</b> Cycling with one bank active at a time: 0,0,1,1,2,2,... (see Table 32); <b>Output Buffer and RTT:</b> Enabled in Mode Registers <sup>2)</sup> ; <b>ODT Signal:</b> stable at 0; <b>Pattern Details:</b> see Table 32  |
| IDD1    | <b>Operating One Bank Active-Read-Precharge Current</b><br><b>CKE:</b> High; <b>External clock:</b> On; <b>tCK, nRC, nRAS, nRCD, CL:</b> see Table 30 on page 29 ; <b>BL:</b> 8 <sup>1)</sup> ; <b>AL:</b> 0; <b><math>\overline{CS}</math>:</b> High between ACT, RD and PRE; <b>Command, Address, Bank Address Inputs, Data IO:</b> partially toggling according to Table 33 on page 34 ; <b>DM:</b> stable at 0; <b>Bank Activity:</b> Cycling with one bank active at a time: 0,0,1,1,2,2,... (see Table 33); <b>Output Buffer and RTT:</b> Enabled in Mode Registers <sup>2)</sup> ; <b>ODT Signal:</b> stable at 0; <b>Pattern Details:</b> see Table 33  |
| IDD2N   | <b>Precharge Standby Current</b><br><b>CKE:</b> High; <b>External clock:</b> On; <b>tCK, CL:</b> see Table 30 on page 29 ; <b>BL:</b> 8 <sup>1)</sup> ; <b>AL:</b> 0; <b><math>\overline{CS}</math>:</b> stable at 1; <b>Command, Address, Bank Address Inputs:</b> partially toggling according to Table 34 on page 34 ; <b>Data IO:</b> FLOATING; <b>DM:</b> stable at 0; <b>Bank Activity:</b> all banks closed; <b>Output Buffer and RTT:</b> Enabled in Mode Registers <sup>2)</sup> ; <b>ODT Signal:</b> stable at 0; <b>Pattern Details:</b> see Table 34  |
| IDD2NT  | <b>Precharge Standby ODT Current</b><br><b>CKE:</b> High; <b>External clock:</b> On; <b>tCK, CL:</b> see Table 30 on page 29 ; <b>BL:</b> 8 <sup>1)</sup> ; <b>AL:</b> 0; <b><math>\overline{CS}</math>:</b> stable at 1; <b>Command, Address, Bank Address Inputs:</b> partially toggling according to Table 35 on page 35 ; <b>Data IO:</b> FLOATING; <b>DM:</b> stable at 0; <b>Bank Activity:</b> all banks closed; <b>Output Buffer and RTT:</b> Enabled in Mode Registers <sup>2)</sup> ; <b>ODT Signal:</b> toggling according to Table 35 ; <b>Pattern Details:</b> see Table 35  |
| IDDQ2NT | <b>Precharge Standby ODT IDDQ Current</b><br>Same definition like for IDD2NT, however measuring IDDQ current instead of IDD current   |
| IDD2P0  | <b>Precharge Power-Down Current Slow Exit</b><br><b>CKE:</b> Low; <b>External clock:</b> On; <b>tCK, CL:</b> see Table 30 on page 29 ; <b>BL:</b> 8 <sup>1)</sup> ; <b>AL:</b> 0; <b><math>\overline{CS}</math>:</b> stable at 1; <b>Command, Address, Bank Address Inputs:</b> stable at 0; <b>Data IO:</b> FLOATING; <b>DM:</b> stable at 0; <b>Bank Activity:</b> all banks closed; <b>Output Buffer and RTT:</b> Enabled in Mode Registers <sup>2)</sup> ; <b>ODT Signal:</b> stable at 0; <b>Precharge Power Down Mode:</b> Slow Exit <sup>3)</sup>  |
| IDD2P1  | <b>Precharge Power-Down Current Fast Exit</b><br><b>CKE:</b> Low; <b>External clock:</b> On; <b>tCK, CL:</b> see Table 30 on page 29 ; <b>BL:</b> 8 <sup>1)</sup> ; <b>AL:</b> 0; <b><math>\overline{CS}</math>:</b> stable at 1; <b>Command, Address, Bank Address Inputs:</b> stable at 0; <b>Data IO:</b> FLOATING; <b>DM:</b> stable at 0; <b>Bank Activity:</b> all banks closed; <b>Output Buffer and RTT:</b> Enabled in Mode Registers <sup>2)</sup> ; <b>ODT Signal:</b> stable at 0; <b>Precharge Power Down Mode:</b> Fast Exit <sup>3)</sup>  |
| IDD2Q   | <b>Precharge Quiet Standby Current</b><br><b>CKE:</b> High; <b>External clock:</b> On; <b>tCK, CL:</b> see Table 30 on page 29 ; <b>BL:</b> 8 <sup>1)</sup> ; <b>AL:</b> 0; <b><math>\overline{CS}</math>:</b> stable at 1; <b>Command, Address, Bank Address Inputs:</b> stable at 0; <b>Data IO:</b> FLOATING; <b>DM:</b> stable at 0; <b>Bank Activity:</b> all banks closed; <b>Output Buffer and RTT:</b> Enabled in Mode Registers <sup>2)</sup> ; <b>ODT Signal:</b> stable at 0   |
| IDD3N   | <b>Active Standby Current</b><br><b>CKE:</b> High; <b>External clock:</b> On; <b>tCK, CL:</b> see Table 30 on page 29 ; <b>BL:</b> 8 <sup>1)</sup> ; <b>AL:</b> 0; <b><math>\overline{CS}</math>:</b> stable at 1; <b>Command, Address, Bank Address Inputs:</b> partially toggling according to Table 34 on page 34 ; <b>Data IO:</b> FLOATING; <b>DM:</b> stable at 0; <b>Bank Activity:</b> all banks open; <b>Output Buffer and RTT:</b> Enabled in Mode Registers <sup>2)</sup> ; <b>ODT Signal:</b> stable at 0; <b>Pattern Details:</b> see Table 34   |
| IDD3P   | <b>Active Power-Down Current</b><br><b>CKE:</b> Low; <b>External clock:</b> On; <b>tCK, CL:</b> see Table 30 on page 29 ; <b>BL:</b> 8 <sup>1)</sup> ; <b>AL:</b> 0; <b><math>\overline{CS}</math>:</b> stable at 1; <b>Command, Address, Bank Address Inputs:</b> stable at 0; <b>Data IO:</b> FLOATING; <b>DM:</b> stable at 0; <b>Bank Activity:</b> all banks open; <b>Output Buffer and RTT:</b> Enabled in Mode Registers <sup>2)</sup> ; <b>ODT Signal:</b> stable at 0  |
| IDD4R   | <b>Operating Burst Read Current</b><br><b>CKE:</b> High; <b>External clock:</b> On; <b>tCK, CL:</b> see Table 30 on page 29 ; <b>BL:</b> 8 <sup>1)</sup> ; <b>AL:</b> 0; <b><math>\overline{CS}</math>:</b> High between RD; <b>Command, Address, Bank Address Inputs:</b> partially toggling according to Table 36 on page 35 ; <b>Data IO:</b> seamless read data burst with different data between one burst and the next one according to Table 36 ; <b>DM:</b> stable at 0; <b>Bank Activity:</b> all banks open, <b>RD commands cycling through banks:</b> 0,0,1,1,2,2,... (see Table 7 on page 11); <b>Output Buffer and RTT:</b> Enabled in Mode Registers <sup>2)</sup> ; <b>ODT Signal:</b> stable at 0; <b>Pattern Details:</b> see Table 36 |
| IDDQ4R  | <b>Operating Burst Read IDDQ Current</b><br>Same definition like for IDD4R, however measuring IDDQ current instead of IDD current   |
| IDD4W   | <b>Operating Burst Write Current</b><br><b>CKE:</b> High; <b>External clock:</b> On; <b>tCK, CL:</b> see Table 30 on page 29 ; <b>BL:</b> 8 <sup>1)</sup> ; <b>AL:</b> 0; <b><math>\overline{CS}</math>:</b> High between WR; <b>Command, Address, Bank Address Inputs:</b> partially toggling according to Table 37 on page 36 ; <b>Data IO:</b> seamless write data burst with different data between one burst and the next one according to Table 37; <b>DM:</b> stable at 0; <b>Bank Activity:</b> all banks open, <b>WR commands cycling through banks:</b> 0,0,1,1,2,2,... (see Table 37); <b>Output Buffer and RTT:</b> Enabled in Mode Registers <sup>2)</sup> ; <b>ODT Signal:</b> stable at HIGH; <b>Pattern Details:</b> see Table 37       |
| IDD5B   | <b>Burst Refresh Current</b><br><b>CKE:</b> High; <b>External clock:</b> On; <b>tCK, CL, nRFC:</b> see Table 30 on page 29 ; <b>BL:</b> 8 <sup>1)</sup> ; <b>AL:</b> 0; <b><math>\overline{CS}</math>:</b> High between REF; <b>Command, Address, Bank Address Inputs:</b> partially toggling according to Table 38 on page 36 ; <b>Data IO:</b> FLOATING; <b>DM:</b> stable at 0; <b>Bank Activity:</b> REF command every nRFC (see Table 38); <b>Output Buffer and RTT:</b> Enabled in Mode Registers <sup>2)</sup> ; <b>ODT Signal:</b> stable at 0; <b>Pattern Details:</b> see Table 38  |
| IDD6    | <b>Self Refresh Current: Normal Temperature Range</b><br><b>TCASE:</b> 0 - 85°C; <b>Auto Self-Refresh (ASR):</b> Disabled <sup>4)</sup> ; <b>Self-Refresh Temperature Range (SRT):</b> Normal <sup>e)</sup> ; <b>CKE:</b> Low; <b>External clock:</b> Off; <b>CK and <math>\overline{CK}</math>:</b> LOW; <b>CL:</b> see Table 30 on page 29 ; <b>BL:</b> 8 <sup>1)</sup> ; <b>AL:</b> 0; <b><math>\overline{CS}</math>:</b> Command, Address, Bank Address, <b>Data IO:</b> FLOATING; <b>DM:</b> stable at 0; <b>Bank Activity:</b> Self-Refresh operation; <b>Output Buffer and RTT:</b> Enabled in Mode Registers <sup>2)</sup> ; <b>ODT Signal:</b> FLOATING  |

[ Table 31 ] Basic IDD and IDDQ Measurement Conditions

| Symbol | Description  |
|--------|--|
| IDD7   | <b>Operating Bank Interleave Read Current</b><br><b>CKE:</b> High; <b>External clock:</b> On; <b>tCK, nRC, nRAS, nRCD, nRRD, nFAW, CL:</b> see Table 30 on page 29 ; <b>BL:</b> 8 <sup>1)</sup> ; <b>AL:</b> CL-1; <b>CS:</b> High between ACT and RDA;<br><b>Command, Address, Bank Address Inputs:</b> partially toggling according to Table 39 on page 37 ; <b>Data IO:</b> read data bursts with different data between one burst and the next one according to Table 39 ; <b>DM:</b> stable at 0; <b>Bank Activity:</b> two times interleaved cycling through banks (0, 1, ...7) with different addressing, see Table 39 ; <b>Output Buffer and RTT:</b> Enabled in Mode Registers <sup>2)</sup> ; <b>ODT Signal:</b> stable at 0; <b>Pattern Details:</b> see Table 39 |
| IDD8   | <b>RESET Low Current</b><br><b>RESET :</b> Low; <b>External clock :</b> off; <b>CK and CK :</b> LOW; <b>CKE :</b> FLOATING ; <b>CS, Command, Address, Bank Address, Data IO :</b> FLOATING ; <b>ODT Signal :</b> FLOATING  |

**NOTE :**

- 1) Burst Length: BL8 fixed by MRS: set MR0 A[1,0]=00B
- 2) Output Buffer Enable: set MR1 A[12] = 0B; set MR1 A[5,1] = 01B; RTT\_Nom enable: set MR1 A[9,6,2] = 011B; RTT\_Wr enable: set MR2 A[10,9] = 10B
- 3) Precharge Power Down Mode: set MR0 A12=0B for Slow Exit or MR0 A12=1B for Fast Exit
- 4) Auto Self-Refresh (ASR): set MR2 A6 = 0B to disable or 1B to enable feature
- 5) Self-Refresh Temperature Range (SRT): set MR2 A7=0B for normal or 1B for extended temperature range
- 6) Read Burst type : Nibble Sequential, set MR0 A[3]=0B



[ Table 32 ] IDD0 Measurement - Loop Pattern<sup>1)</sup>

| CK/CK    | CKE         | Sub-Loop                                   | Cycle Number | Command  | $\overline{CS}$                            | $\overline{RAS}$ | $\overline{CAS}$ | $\overline{WE}$ | ODT | BA[2:0] | A[15:11] | A[10] | A[9:7] | A[6:3] | A[2:0] | Data <sup>2)</sup> |   |   |  |
|----------|-------------|--|--------------|--|--|------------------|------------------|-----------------|-----|---------|----------|-------|--------|--------|--------|--------------------|---|---|--|
| toggling | Static High | 0  | 0            | ACT  | 0  | 0                | 1                | 1               | 0   | 0       | 00       | 0     | 0      | 0      | 0      | -                  |   |   |  |
|          |             |  | 1,2          | D, D   | 1  | 0                | 0                | 0               | 0   | 0       | 0        | 00    | 0      | 0      | 0      | 0                  | - |   |  |
|          |             |  | 3,4          | $\overline{D}, \overline{D}$                                       | 1  | 1                | 1                | 1               | 0   | 0       | 0        | 00    | 0      | 0      | 0      | 0                  | - |   |  |
|          |             |  | ...          | repeat pattern 1...4 until nRAS - 1, truncate if necessary         |  |                  |                  |                 |     |         |          |       |        |        |        |                    |   |   |  |
|          |             |  | nRAS         | PRE  | 0  | 0                | 1                | 0               | 0   | 0       | 0        | 0     | 00     | 0      | 0      | 0                  | 0 | - |  |
|          |             |  | ...          | repeat pattern 1...4 until nRC - 1, truncate if necessary          |  |                  |                  |                 |     |         |          |       |        |        |        |                    |   |   |  |
|          |             |  | 1*nRC + 0    | ACT  | 0  | 0                | 1                | 1               | 0   | 0       | 00       | 0     | 0      | 0      | F      | 0                  | - |   |  |
|          |             |  | 1*nRC + 1, 2 | D, D   | 1  | 0                | 0                | 0               | 0   | 0       | 0        | 0     | 00     | 0      | 0      | F                  | 0 | - |  |
|          |             |  | 1*nRC + 3, 4 | $\overline{D}, \overline{D}$                                       | 1  | 1                | 1                | 1               | 0   | 0       | 0        | 0     | 00     | 0      | 0      | F                  | 0 | - |  |
|          |             |  | ...          | repeat pattern 1...4 until 1*nRC + nRAS - 1, truncate if necessary |  |                  |                  |                 |     |         |          |       |        |        |        |                    |   |   |  |
|          |             |  | 1*nRC + nRAS | PRE  | 0  | 0                | 1                | 0               | 0   | 0       | 0        | 0     | 00     | 0      | 0      | F                  | 0 |   |  |
|          |             |  | ...          | repeat 1...4 until 2*nRC - 1, truncate if necessary                |  |                  |                  |                 |     |         |          |       |        |        |        |                    |   |   |  |
|          |             |  | 1            | 2*nRC  | repeat Sub-Loop 0, use BA[2:0] = 1 instead |                  |                  |                 |     |         |          |       |        |        |        |                    |   |   |  |
|          |             |  | 2            | 4*nRC  | repeat Sub-Loop 0, use BA[2:0] = 2 instead |                  |                  |                 |     |         |          |       |        |        |        |                    |   |   |  |
| 3        | 6*nRC       | repeat Sub-Loop 0, use BA[2:0] = 3 instead |              |  |  |                  |                  |                 |     |         |          |       |        |        |        |                    |   |   |  |
| 4        | 8*nRC       | repeat Sub-Loop 0, use BA[2:0] = 4 instead |              |  |  |                  |                  |                 |     |         |          |       |        |        |        |                    |   |   |  |
| 5        | 10*nRC      | repeat Sub-Loop 0, use BA[2:0] = 5 instead |              |  |  |                  |                  |                 |     |         |          |       |        |        |        |                    |   |   |  |
| 6        | 12*nRC      | repeat Sub-Loop 0, use BA[2:0] = 6 instead |              |  |  |                  |                  |                 |     |         |          |       |        |        |        |                    |   |   |  |
| 7        | 14*nRC      | repeat Sub-Loop 0, use BA[2:0] = 7 instead |              |  |  |                  |                  |                 |     |         |          |       |        |        |        |                    |   |   |  |

NOTE :  
 1. DM must be driven LOW all the time. DQS,  $\overline{DQS}$  are MID-LEVEL.  
 2. DQ signals are MID-LEVEL.

[ Table 33 ] IDD1 Measurement - Loop Pattern<sup>1)</sup>

| CK/CK    | CKE         | Sub-Loop | Cycle Number                               | Command   | $\overline{CS}$                            | $\overline{RAS}$ | $\overline{CAS}$ | $\overline{WE}$ | ODT | BA[2:0] | A[15:11] | A[10] | A[9:7] | A[6:3] | A[2:0] | Data <sup>2)</sup> |   |          |
|----------|-------------|----------|--|---|--|------------------|------------------|-----------------|-----|---------|----------|-------|--------|--------|--------|--------------------|---|----------|
| toggling | Static High | 0        | 0  | ACT   | 0  | 0                | 1                | 1               | 0   | 0       | 00       | 0     | 0      | 0      | 0      | -                  |   |          |
|          |             |          | 1,2  | D, D  | 1  | 0                | 0                | 0               | 0   | 0       | 0        | 00    | 0      | 0      | 0      | 0                  | - |          |
|          |             |          | 3,4  | $\overline{D}$ , $\overline{D}$   | 1  | 1                | 1                | 1               | 0   | 0       | 0        | 00    | 0      | 0      | 0      | 0                  | - |          |
|          |             |          | ...  | repeat pattern 1...4 until nRCD - 1, truncate if necessary                |  |                  |                  |                 |     |         |          |       |        |        |        |                    |   |          |
|          |             |          | nRCD                                       | RD  | 0  | 1                | 0                | 1               | 0   | 0       | 0        | 00    | 0      | 0      | 0      | 0                  | 0 | 00000000 |
|          |             |          | ...  | repeat pattern 1...4 until nRAS - 1, truncate if necessary                |  |                  |                  |                 |     |         |          |       |        |        |        |                    |   |          |
|          |             |          | nRAS                                       | PRE   | 0  | 0                | 1                | 0               | 0   | 0       | 0        | 00    | 0      | 0      | 0      | 0                  | 0 | -        |
|          |             |          | ...  | repeat pattern 1...4 until nRC - 1, truncate if necessary                 |  |                  |                  |                 |     |         |          |       |        |        |        |                    |   |          |
|          |             |          | 1*nRC+0                                    | ACT   | 0  | 0                | 1                | 1               | 0   | 0       | 0        | 00    | 0      | 0      | F      | 0                  | 0 | -        |
|          |             |          | 1*nRC + 1, 2                               | D, D  | 1  | 0                | 0                | 0               | 0   | 0       | 0        | 00    | 0      | 0      | F      | 0                  | 0 | -        |
|          |             |          | 1*nRC + 3, 4                               | $\overline{D}$ , $\overline{D}$   | 1  | 1                | 1                | 1               | 0   | 0       | 0        | 00    | 0      | 0      | F      | 0                  | 0 | -        |
|          |             |          | ...  | repeat pattern nRC + 1,..., 4 until nRC + nRCD - 1, truncate if necessary |  |                  |                  |                 |     |         |          |       |        |        |        |                    |   |          |
|          |             |          | 1*nRC + nRCD                               | RD  | 0  | 1                | 0                | 1               | 0   | 0       | 0        | 00    | 0      | 0      | F      | 0                  | 0 | 00110011 |
|          |             |          | ...  | repeat pattern nRC + 1,..., 4 until nRC + nRAS - 1, truncate if necessary |  |                  |                  |                 |     |         |          |       |        |        |        |                    |   |          |
|          |             |          | 1*nRC + nRAS                               | PRE   | 0  | 0                | 1                | 0               | 0   | 0       | 0        | 00    | 0      | 0      | F      | 0                  | 0 | -        |
|          |             |          | ...  | repeat pattern nRC + 1,..., 4 until 2 * nRC - 1, truncate if necessary    |  |                  |                  |                 |     |         |          |       |        |        |        |                    |   |          |
|          |             |          | 1  | 2*nRC   | repeat Sub-Loop 0, use BA[2:0] = 1 instead |                  |                  |                 |     |         |          |       |        |        |        |                    |   |          |
|          |             |          | 2  | 4*nRC   | repeat Sub-Loop 0, use BA[2:0] = 2 instead |                  |                  |                 |     |         |          |       |        |        |        |                    |   |          |
|          | 3           | 6*nRC    | repeat Sub-Loop 0, use BA[2:0] = 3 instead |   |  |                  |                  |                 |     |         |          |       |        |        |        |                    |   |          |
|          | 4           | 8*nRC    | repeat Sub-Loop 0, use BA[2:0] = 4 instead |   |  |                  |                  |                 |     |         |          |       |        |        |        |                    |   |          |
|          | 5           | 10*nRC   | repeat Sub-Loop 0, use BA[2:0] = 5 instead |   |  |                  |                  |                 |     |         |          |       |        |        |        |                    |   |          |
|          | 6           | 12*nRC   | repeat Sub-Loop 0, use BA[2:0] = 6 instead |   |  |                  |                  |                 |     |         |          |       |        |        |        |                    |   |          |
|          | 7           | 14*nRC   | repeat Sub-Loop 0, use BA[2:0] = 7 instead |   |  |                  |                  |                 |     |         |          |       |        |        |        |                    |   |          |

## NOTE :

- DM must be driven LOW all the time. DQS,  $\overline{DQS}$  are used according to RD Commands, otherwise MID-LEVEL.
- Burst Sequence driven on each DQ signal by Read Command. Outside burst operation, DQ signals are MID-LEVEL.

[ Table 34 ] IDD2 and IDD3N Measurement - Loop Pattern<sup>1)</sup>

| CK/CK    | CKE         | Sub-Loop | Cycle Number                               | Command        | $\overline{CS}$                            | $\overline{RAS}$ | $\overline{CAS}$ | $\overline{WE}$ | ODT | BA[2:0] | A[15:11] | A[10] | A[9:7] | A[6:3] | A[2:0] | Data <sup>2)</sup> |   |  |
|----------|-------------|----------|--|----------------|--|------------------|------------------|-----------------|-----|---------|----------|-------|--------|--------|--------|--------------------|---|--|
| toggling | Static High | 0        | 0  | D              | 1  | 0                | 0                | 0               | 0   | 0       | 00       | 0     | 0      | 0      | 0      | -                  |   |  |
|          |             |          | 1  | D              | 1  | 0                | 0                | 0               | 0   | 0       | 0        | 00    | 0      | 0      | 0      | 0                  | - |  |
|          |             |          | 2  | $\overline{D}$ | 1  | 1                | 1                | 1               | 0   | 0       | 0        | 00    | 0      | 0      | F      | 0                  | - |  |
|          |             |          | 3  | $\overline{D}$ | 1  | 1                | 1                | 1               | 0   | 0       | 0        | 00    | 0      | 0      | F      | 0                  | - |  |
|          |             |          | 1  | 4-7            | repeat Sub-Loop 0, use BA[2:0] = 1 instead |                  |                  |                 |     |         |          |       |        |        |        |                    |   |  |
|          |             |          | 2  | 8-11           | repeat Sub-Loop 0, use BA[2:0] = 2 instead |                  |                  |                 |     |         |          |       |        |        |        |                    |   |  |
|          |             |          | 3  | 12-15          | repeat Sub-Loop 0, use BA[2:0] = 3 instead |                  |                  |                 |     |         |          |       |        |        |        |                    |   |  |
|          |             |          | 4  | 16-19          | repeat Sub-Loop 0, use BA[2:0] = 4 instead |                  |                  |                 |     |         |          |       |        |        |        |                    |   |  |
|          |             |          | 5  | 20-23          | repeat Sub-Loop 0, use BA[2:0] = 5 instead |                  |                  |                 |     |         |          |       |        |        |        |                    |   |  |
|          |             |          | 6  | 24-27          | repeat Sub-Loop 0, use BA[2:0] = 6 instead |                  |                  |                 |     |         |          |       |        |        |        |                    |   |  |
|          | 7           | 28-31    | repeat Sub-Loop 0, use BA[2:0] = 7 instead |                |  |                  |                  |                 |     |         |          |       |        |        |        |                    |   |  |

## NOTE :

- DM must be driven Low all the time. DQS,  $\overline{DQS}$  are MID-LEVEL.
- DQ signals are MID-LEVEL.

[ Table 35 ] IDD2NT and IDDQ2NT Measurement - Loop Pattern<sup>1)</sup>

| CK/CKE                  | Sub-Loop | Cycle Number                                   | Command  | $\overline{CS}$ | $\overline{RAS}$ | $\overline{CAS}$ | $\overline{WE}$ | ODT | BA[2:0] | A[15:11] | A[10] | A[9:7] | A[6:3] | A[2:0] | Data <sup>2)</sup> |   |
|-------------------------|----------|--|--|-----------------|------------------|------------------|-----------------|-----|---------|----------|-------|--------|--------|--------|--------------------|---|
| toggling<br>Static High | 0        | 0  | D  | 1               | 0                | 0                | 0               | 0   | 0       | 00       | 0     | 0      | 0      | 0      | -                  |   |
|                         |          | 1  | D  | 1               | 0                | 0                | 0               | 0   | 0       | 00       | 0     | 0      | 0      | 0      | -                  |   |
|                         |          | 2  | $\overline{D}$                                 | 1               | 1                | 1                | 1               | 0   | 0       | 00       | 0     | 0      | 0      | F      | 0                  | - |
|                         |          | 3  | $\overline{D}$                                 | 1               | 1                | 1                | 1               | 0   | 0       | 00       | 0     | 0      | 0      | F      | 0                  | - |
|                         | 1        | 4-7  | repeat Sub-Loop 0, but ODT = 0 and BA[2:0] = 1 |                 |                  |                  |                 |     |         |          |       |        |        |        |                    |   |
|                         | 2        | 8-11   | repeat Sub-Loop 0, but ODT = 1 and BA[2:0] = 2 |                 |                  |                  |                 |     |         |          |       |        |        |        |                    |   |
|                         | 3        | 12-15  | repeat Sub-Loop 0, but ODT = 1 and BA[2:0] = 3 |                 |                  |                  |                 |     |         |          |       |        |        |        |                    |   |
|                         | 4        | 16-19  | repeat Sub-Loop 0, but ODT = 0 and BA[2:0] = 4 |                 |                  |                  |                 |     |         |          |       |        |        |        |                    |   |
|                         | 5        | 20-23  | repeat Sub-Loop 0, but ODT = 0 and BA[2:0] = 5 |                 |                  |                  |                 |     |         |          |       |        |        |        |                    |   |
|                         | 6        | 24-27  | repeat Sub-Loop 0, but ODT = 1 and BA[2:0] = 6 |                 |                  |                  |                 |     |         |          |       |        |        |        |                    |   |
| 7                       | 28-31    | repeat Sub-Loop 0, but ODT = 1 and BA[2:0] = 7 |  |                 |                  |                  |                 |     |         |          |       |        |        |        |                    |   |

NOTE :  
 1. DM must be driven Low all the time. DQS,  $\overline{DQS}$  are MID-LEVEL.  
 2. DQ signals are MID-LEVEL.

[ Table 36 ] IDD4R and IDDQ4R Measurement - Loop Pattern<sup>1)</sup>

| CK/CKE                  | Sub-Loop | Cycle Number                       | Command                            | $\overline{CS}$ | $\overline{RAS}$ | $\overline{CAS}$ | $\overline{WE}$ | ODT | BA[2:0] | A[15:11] | A[10] | A[9:7] | A[6:3] | A[2:0] | Data <sup>2)</sup> |          |
|-------------------------|----------|------------------------------------|------------------------------------|-----------------|------------------|------------------|-----------------|-----|---------|----------|-------|--------|--------|--------|--------------------|----------|
| toggling<br>Static High | 0        | 0                                  | RD                                 | 0               | 1                | 0                | 1               | 0   | 0       | 00       | 0     | 0      | 0      | 0      | 00000000           |          |
|                         |          | 1                                  | D                                  | 1               | 0                | 0                | 0               | 0   | 0       | 00       | 0     | 0      | 0      | 0      | -                  |          |
|                         |          | 2,3                                | $\overline{D}, \overline{D}$       | 1               | 1                | 1                | 1               | 0   | 0       | 00       | 0     | 0      | 0      | 0      | -                  |          |
|                         |          | 4                                  | RD                                 | 0               | 1                | 0                | 1               | 0   | 0       | 00       | 0     | 0      | 0      | F      | 0                  | 00110011 |
|                         | 5        | D                                  | 1                                  | 0               | 0                | 0                | 0               | 0   | 00      | 0        | 0     | 0      | F      | 0      | -                  |          |
|                         | 6,7      | $\overline{D}, \overline{D}$       | 1                                  | 1               | 1                | 1                | 0               | 0   | 00      | 0        | 0     | 0      | F      | 0      | -                  |          |
|                         | 1        | 8-15                               | repeat Sub-Loop 0, but BA[2:0] = 1 |                 |                  |                  |                 |     |         |          |       |        |        |        |                    |          |
|                         | 2        | 16-23                              | repeat Sub-Loop 0, but BA[2:0] = 2 |                 |                  |                  |                 |     |         |          |       |        |        |        |                    |          |
|                         | 3        | 24-31                              | repeat Sub-Loop 0, but BA[2:0] = 3 |                 |                  |                  |                 |     |         |          |       |        |        |        |                    |          |
|                         | 4        | 32-39                              | repeat Sub-Loop 0, but BA[2:0] = 4 |                 |                  |                  |                 |     |         |          |       |        |        |        |                    |          |
| 5                       | 40-47    | repeat Sub-Loop 0, but BA[2:0] = 5 |                                    |                 |                  |                  |                 |     |         |          |       |        |        |        |                    |          |
| 6                       | 48-55    | repeat Sub-Loop 0, but BA[2:0] = 6 |                                    |                 |                  |                  |                 |     |         |          |       |        |        |        |                    |          |
| 7                       | 56-63    | repeat Sub-Loop 0, but BA[2:0] = 7 |                                    |                 |                  |                  |                 |     |         |          |       |        |        |        |                    |          |

NOTE :  
 1. DM must be driven LOW all the time. DQS,  $\overline{DQS}$  are used according to WR Commands, otherwise MID-LEVEL.  
 2. Burst Sequence driven on each DQ signal by Write Command. Outside burst operation, DQ signals are MID-LEVEL.

[ Table 37 ] IDD4W Measurement - Loop Pattern<sup>1)</sup>

| CK/CK    | CKE         | Sub-Loop | Cycle Number | Command                                    | $\overline{\text{CS}}$             | $\overline{\text{RAS}}$ | $\overline{\text{CAS}}$ | $\overline{\text{WE}}$ | ODT | BA[2:0] | A[15:11] | A[10] | A[9:7] | A[6:3] | A[2:0] | Data <sup>2)</sup> |   |          |
|----------|-------------|----------|--------------|--|------------------------------------|-------------------------|-------------------------|------------------------|-----|---------|----------|-------|--------|--------|--------|--------------------|---|----------|
| toggling | Static High | 0        | 0            | WR   | 0                                  | 1                       | 0                       | 0                      | 1   | 0       | 00       | 0     | 0      | 0      | 0      | 00000000           |   |          |
|          |             |          | 1            | D  | 1                                  | 0                       | 0                       | 0                      | 1   | 0       | 00       | 0     | 0      | 0      | 0      | 0                  | - |          |
|          |             |          | 2,3          | $\overline{\text{D}}, \overline{\text{D}}$ | 1                                  | 1                       | 1                       | 1                      | 1   | 1       | 0        | 00    | 0      | 0      | 0      | 0                  | 0 | -        |
|          |             |          | 4            | WR   | 0                                  | 1                       | 0                       | 0                      | 0   | 1       | 0        | 00    | 0      | 0      | 0      | F                  | 0 | 00110011 |
|          |             |          | 5            | D  | 1                                  | 0                       | 0                       | 0                      | 0   | 1       | 0        | 00    | 0      | 0      | 0      | F                  | 0 | -        |
|          |             |          | 6,7          | $\overline{\text{D}}, \overline{\text{D}}$ | 1                                  | 1                       | 1                       | 1                      | 1   | 1       | 1        | 0     | 00     | 0      | 0      | F                  | 0 | -        |
|          |             |          | 1            | 8-15                                       | repeat Sub-Loop 0, but BA[2:0] = 1 |                         |                         |                        |     |         |          |       |        |        |        |                    |   |          |
|          |             | 2        | 16-23        | repeat Sub-Loop 0, but BA[2:0] = 2         |                                    |                         |                         |                        |     |         |          |       |        |        |        |                    |   |          |
|          |             | 3        | 24-31        | repeat Sub-Loop 0, but BA[2:0] = 3         |                                    |                         |                         |                        |     |         |          |       |        |        |        |                    |   |          |
|          |             | 4        | 32-39        | repeat Sub-Loop 0, but BA[2:0] = 4         |                                    |                         |                         |                        |     |         |          |       |        |        |        |                    |   |          |
|          |             | 5        | 40-47        | repeat Sub-Loop 0, but BA[2:0] = 5         |                                    |                         |                         |                        |     |         |          |       |        |        |        |                    |   |          |
|          |             | 6        | 48-55        | repeat Sub-Loop 0, but BA[2:0] = 6         |                                    |                         |                         |                        |     |         |          |       |        |        |        |                    |   |          |
|          |             | 7        | 56-63        | repeat Sub-Loop 0, but BA[2:0] = 7         |                                    |                         |                         |                        |     |         |          |       |        |        |        |                    |   |          |

## NOTE :

- DM must be driven LOW all the time. DQS,  $\overline{\text{DQS}}$  are used according to WR Commands, otherwise MID-LEVEL.
- Burst Sequence driven on each DQ signal by Write Command. Outside burst operation, DQ signals are MID-LEVEL.

[ Table 38 ] IDD5B Measurement - Loop Pattern<sup>1)</sup>

| CK/CK    | CKE         | Sub-Loop | Cycle Number                         | Command  | $\overline{\text{CS}}$ | $\overline{\text{RAS}}$ | $\overline{\text{CAS}}$ | $\overline{\text{WE}}$ | ODT | BA[2:0] | A[15:11] | A[10] | A[9:7] | A[6:3] | A[2:0] | Data <sup>2)</sup> |   |
|----------|-------------|----------|--------------------------------------|--|------------------------|-------------------------|-------------------------|------------------------|-----|---------|----------|-------|--------|--------|--------|--------------------|---|
| toggling | Static High | 1        | 0                                    | REF  | 0                      | 0                       | 0                       | 1                      | 0   | 0       | 00       | 0     | 0      | 0      | 0      | -                  |   |
|          |             |          | 1,2                                  | D  | 1                      | 0                       | 0                       | 0                      | 0   | 0       | 0        | 00    | 0      | 0      | 0      | 0                  | - |
|          |             |          | 3,4                                  | $\overline{\text{D}}, \overline{\text{D}}$                 | 1                      | 1                       | 1                       | 1                      | 1   | 0       | 0        | 00    | 0      | 0      | F      | 0                  | - |
|          |             |          | 5...8                                | repeat cycles 1...4, but BA[2:0] = 1                       |                        |                         |                         |                        |     |         |          |       |        |        |        |                    |   |
|          |             |          | 9...12                               | repeat cycles 1...4, but BA[2:0] = 2                       |                        |                         |                         |                        |     |         |          |       |        |        |        |                    |   |
|          |             |          | 13...16                              | repeat cycles 1...4, but BA[2:0] = 3                       |                        |                         |                         |                        |     |         |          |       |        |        |        |                    |   |
|          |             |          | 17...20                              | repeat cycles 1...4, but BA[2:0] = 4                       |                        |                         |                         |                        |     |         |          |       |        |        |        |                    |   |
|          |             |          | 21...24                              | repeat cycles 1...4, but BA[2:0] = 5                       |                        |                         |                         |                        |     |         |          |       |        |        |        |                    |   |
|          |             |          | 25...28                              | repeat cycles 1...4, but BA[2:0] = 6                       |                        |                         |                         |                        |     |         |          |       |        |        |        |                    |   |
|          |             | 29...32  | repeat cycles 1...4, but BA[2:0] = 7 |  |                        |                         |                         |                        |     |         |          |       |        |        |        |                    |   |
|          |             | 2        | 33...nRFC - 1                        | repeat Sub-Loop 1, until nRFC - 1. Truncate, if necessary. |                        |                         |                         |                        |     |         |          |       |        |        |        |                    |   |

## NOTE :

- DM must be driven LOW all the time. DQS,  $\overline{\text{DQS}}$  are MID-LEVEL.
- DQ signals are MID-LEVEL.

[ Table 39 ] IDD7 Measurement - Loop Pattern<sup>1)</sup>

| CK/CK  | CKE           | Sub-Loop   | Cycle Number | Command  | $\overline{CS}$ | $\overline{RAS}$ | $\overline{CAS}$ | $\overline{WE}$ | ODT | BA[2:0] | A[15:11] | A[10] | A[9:7] | A[6:3] | A[2:0] | Data <sup>2)</sup> |          |          |
|--|---------------|--|--------------|--|-----------------|------------------|------------------|-----------------|-----|---------|----------|-------|--------|--------|--------|--------------------|----------|----------|
| toggling   | Static High   | 0  | 0            | ACT  | 0               | 0                | 1                | 1               | 0   | 0       | 00       | 0     | 0      | 0      | 0      | -                  |          |          |
|  |               |  | 1            | RDA  | 0               | 1                | 0                | 1               | 0   | 0       | 0        | 00    | 1      | 0      | 0      | 0                  | 00000000 |          |
|  |               |  | 2            | D  | 1               | 0                | 0                | 0               | 0   | 0       | 0        | 0     | 00     | 0      | 0      | 0                  | 0        | -        |
|  |               |  | ...          | repeat above D Command until nRRD - 1                            |                 |                  |                  |                 |     |         |          |       |        |        |        |                    |          |          |
|  |               | 1  | nRRD         | ACT  | 0               | 0                | 1                | 1               | 0   | 0       | 1        | 00    | 0      | 0      | 0      | F                  | 0        | -        |
|  |               |  | nRRD + 1     | RDA  | 0               | 1                | 0                | 1               | 0   | 0       | 1        | 00    | 1      | 0      | 0      | F                  | 0        | 00110011 |
|  |               |  | nRRD + 2     | D  | 1               | 0                | 0                | 0               | 0   | 0       | 0        | 0     | 00     | 0      | 0      | F                  | 0        | -        |
|  |               |  | ...          | repeat above D Command until 2*nRRD-1                            |                 |                  |                  |                 |     |         |          |       |        |        |        |                    |          |          |
|  |               | 2  | 2 * nRRD     | repeat Sub-Loop 0, but BA[2:0] = 2                               |                 |                  |                  |                 |     |         |          |       |        |        |        |                    |          |          |
|  |               | 3  | 3 * nRRD     | repeat Sub-Loop 1, but BA[2:0] = 3                               |                 |                  |                  |                 |     |         |          |       |        |        |        |                    |          |          |
|  |               | 4  | 4 * nRRD     | D  | 1               | 0                | 0                | 0               | 0   | 0       | 3        | 00    | 0      | 0      | 0      | F                  | 0        | -        |
|  |               |  |              | Assert and repeat above D Command until nFAW - 1, if necessary   |                 |                  |                  |                 |     |         |          |       |        |        |        |                    |          |          |
|  |               | 5  | nFAW         | repeat Sub-Loop 0, but BA[2:0] = 4                               |                 |                  |                  |                 |     |         |          |       |        |        |        |                    |          |          |
|  |               | 6  | nFAW+nRRD    | repeat Sub-Loop 1, but BA[2:0] = 5                               |                 |                  |                  |                 |     |         |          |       |        |        |        |                    |          |          |
|  |               | 7  | nFAW+2*nRRD  | repeat Sub-Loop 0, but BA[2:0] = 6                               |                 |                  |                  |                 |     |         |          |       |        |        |        |                    |          |          |
|  |               | 8  | nFAW+3*nRRD  | repeat Sub-Loop 1, but BA[2:0] = 7                               |                 |                  |                  |                 |     |         |          |       |        |        |        |                    |          |          |
|  |               | 9  | nFAW+4*nRRD  | D  | 1               | 0                | 0                | 0               | 0   | 0       | 7        | 00    | 0      | 0      | 0      | F                  | 0        | -        |
|  |               |  |              | Assert and repeat above D Command until 2*nFAW - 1, if necessary |                 |                  |                  |                 |     |         |          |       |        |        |        |                    |          |          |
|  |               | 10   | 2*nFAW+0     | ACT  | 0               | 0                | 1                | 1               | 0   | 0       | 00       | 0     | 0      | 0      | 0      | F                  | 0        | -        |
|  |               |  |              | RDA  | 0               | 1                | 0                | 1               | 0   | 0       | 0        | 00    | 1      | 0      | 0      | F                  | 0        | 00110011 |
| D  | 1             |  |              | 0  | 0               | 0                | 0                | 0               | 0   | 0       | 00       | 0     | 0      | 0      | F      | 0                  | -        |          |
| Repeat above D Command until 2*nFAW + nRRD - 1   |               |  |              |  |                 |                  |                  |                 |     |         |          |       |        |        |        |                    |          |          |
| 11   | 2*nFAW+nRRD   | ACT  | 0            | 0  | 1               | 1                | 0                | 1               | 00  | 0       | 0        | 0     | 0      | 0      | 0      | -                  |          |          |
|  |               | RDA  | 0            | 1  | 0               | 1                | 0                | 1               | 00  | 1       | 0        | 0     | 0      | 0      | 0      | 00000000           |          |          |
|  |               | D  | 1            | 0  | 0               | 0                | 0                | 0               | 1   | 00      | 0        | 0     | 0      | 0      | 0      | 0                  | -        |          |
| Repeat above D Command until 2*nFAW + 2*nRRD - 1 |               |  |              |  |                 |                  |                  |                 |     |         |          |       |        |        |        |                    |          |          |
| 12   | 2*nFAW+2*nRRD | repeat Sub-Loop 10, but BA[2:0] = 2                              |              |  |                 |                  |                  |                 |     |         |          |       |        |        |        |                    |          |          |
| 13   | 2*nFAW+3*nRRD | repeat Sub-Loop 11, but BA[2:0] = 3                              |              |  |                 |                  |                  |                 |     |         |          |       |        |        |        |                    |          |          |
| 14   | 2*nFAW+4*nRRD | D  | 1            | 0  | 0               | 0                | 0                | 0               | 3   | 00      | 0        | 0     | 0      | 0      | 0      | -                  |          |          |
|  |               | Assert and repeat above D Command until 3*nFAW - 1, if necessary |              |  |                 |                  |                  |                 |     |         |          |       |        |        |        |                    |          |          |
| 15   | 3*nFAW        | repeat Sub-Loop 10, but BA[2:0] = 4                              |              |  |                 |                  |                  |                 |     |         |          |       |        |        |        |                    |          |          |
| 16   | 3*nFAW+nRRD   | repeat Sub-Loop 11, but BA[2:0] = 5                              |              |  |                 |                  |                  |                 |     |         |          |       |        |        |        |                    |          |          |
| 17   | 3*nFAW+2*nRRD | repeat Sub-Loop 10, but BA[2:0] = 6                              |              |  |                 |                  |                  |                 |     |         |          |       |        |        |        |                    |          |          |
| 18   | 3*nFAW+3*nRRD | repeat Sub-Loop 11, but BA[2:0] = 7                              |              |  |                 |                  |                  |                 |     |         |          |       |        |        |        |                    |          |          |
| 19   | 3*nFAW+4*nRRD | D  | 1            | 0  | 0               | 0                | 0                | 0               | 7   | 00      | 0        | 0     | 0      | 0      | 0      | -                  |          |          |
|  |               | Assert and repeat above D Command until 4*nFAW - 1, if necessary |              |  |                 |                  |                  |                 |     |         |          |       |        |        |        |                    |          |          |

NOTE :  
 1. DM must be driven LOW all the time. DQS,  $\overline{DQS}$  are used according to RD Commands, otherwise MID-LEVEL.  
 2. Burst Sequence driven on each DQ signal by Read Command. Outside burst operation. DQ signals are MID-LEVEL.

## 11. 1Gb DDR3 SDRAM I-die IDD Specification Table

[ Table 40 ] IDD Specification for 1Gb DDR3 I-die

| Symbol            | 64Mx16 (K4B1G1646I) |           |           | Unit | NOTE |
|-------------------|---------------------|-----------|-----------|------|------|
|                   | DDR3-1600           | DDR3-1866 | DDR3-2133 |      |      |
|                   | 11-11-11            | 13-13-13  | 14-14-14  |      |      |
| IDD0              | 41                  | 41        | 43        | mA   |      |
| IDD1              | 60                  | 60        | 64        | mA   |      |
| IDD2P0(slow exit) | 11                  | 11        | 11        | mA   |      |
| IDD2P1(fast exit) | 11                  | 11        | 11        | mA   |      |
| IDD2N             | 14                  | 15        | 16        | mA   |      |
| IDD2NT            | 17                  | 18        | 18        | mA   |      |
| IDDQ2NT           | 132                 | 132       | 132       | mA   |      |
| IDD2Q             | 14                  | 14        | 15        | mA   |      |
| IDD3P             | 15                  | 15        | 15        | mA   |      |
| IDD3N             | 29                  | 30        | 30        | mA   |      |
| IDD4R             | 118                 | 134       | 145       | mA   |      |
| IDDQ4R            | 100                 | 100       | 100       | mA   |      |
| IDD4W             | 105                 | 120       | 135       | mA   |      |
| IDD5B             | 164                 | 168       | 168       | mA   |      |
| IDD6              | 11                  | 11        | 11        | mA   |      |
| IDD6ET            | 16                  | 16        | 16        | mA   |      |
| IDD7              | 187                 | 195       | 212       | mA   |      |
| IDD8              | 11                  | 11        | 11        | mA   |      |

**NOTE :**

1. V<sub>DD</sub> condition : 1.575V for 1.5V operation

## 12. Input/Output Capacitance

[ Table 41 ] Input/Output Capacitance

| Parameter   | Symbol      | DDR3-800 |      | DDR3-1066 |      | DDR3-1333 |      | DDR3-1600 |      | DDR3-1866 |      | DDR3-2133 |      | Units | NOTE     |
|---|-------------|----------|------|-----------|------|-----------|------|-----------|------|-----------|------|-----------|------|-------|----------|
|   |             | Min      | Max  | Min       | Max  | Min       | Max  | Min       | Max  | Min       | Max  | Min       | Max  |       |          |
| Input/output capacitance (DQ, DM, DQS, $\overline{DQS}$ , TDQS, $\overline{TDQS}$ )       | CIO         | 1.4      | 3.0  | 1.4       | 2.7  | 1.4       | 2.5  | 1.4       | 2.3  | 1.4       | 2.2  | 1.4       | 2.1  | pF    | 1,2,3    |
| Input capacitance (CK and $\overline{CK}$ )   | CCK         | 0.8      | 1.6  | 0.8       | 1.6  | 0.8       | 1.4  | 0.8       | 1.4  | 0.8       | 1.3  | 0.8       | 1.3  | pF    | 2,3      |
| Input capacitance delta (CK and $\overline{CK}$ )   | CDCK        | 0        | 0.15 | 0         | 0.15 | 0         | 0.15 | 0         | 0.15 | 0         | 0.15 | 0         | 0.15 | pF    | 2,3,4    |
| Input capacitance (All other input-only pins)   | CI          | 0.75     | 1.4  | 0.75      | 1.35 | 0.75      | 1.3  | 0.75      | 1.3  | 0.75      | 1.2  | 0.75      | 1.2  | pF    | 2,3,6    |
| Input capacitance delta (DQS and $\overline{DQS}$ )                                       | CDDQS       | 0        | 0.2  | 0         | 0.2  | 0         | 0.15 | 0         | 0.15 | 0         | 0.15 | 0         | 0.15 | pF    | 2,3,5    |
| Input capacitance delta (All control input-only pins)                                     | CDI_CTRL    | -0.5     | 0.3  | -0.5      | 0.3  | -0.4      | 0.2  | -0.4      | 0.2  | -0.4      | 0.2  | -0.4      | 0.2  | pF    | 2,3,7,8  |
| Input capacitance delta (all ADD and CMD input-only pins)                                 | CDI_ADD_CMD | -0.5     | 0.5  | -0.5      | 0.5  | -0.4      | 0.4  | -0.4      | 0.4  | -0.4      | 0.4  | -0.4      | 0.4  | pF    | 2,3,9,10 |
| Input/output capacitance delta (DQ, DM, DQS, $\overline{DQS}$ , TDQS, $\overline{TDQS}$ ) | CDIO        | -0.5     | 0.3  | -0.5      | 0.3  | -0.5      | 0.3  | -0.5      | 0.3  | -0.5      | 0.3  | -0.5      | 0.3  | pF    | 2,3,11   |
| Input/output capacitance of ZQ pin  | CZQ         | -        | 3    | -         | 3    | -         | 3    | -         | 3    | -         | 3    | -         | 3    | pF    | 2, 3, 12 |

**NOTE :**

- Although the DM, TDQS and  $\overline{TDQS}$  pins have different functions, the loading matches DQ and DQS
- This parameter is not subject to production test. It is verified by design and characterization.  
The capacitance is measured according to JEP147("PROCEDURE FOR MEASURING INPUT CAPACITANCE USING A VECTOR NETWORK ANALYZER( VNA)") with  $V_{DD}$ ,  $V_{DDQ}$ ,  $V_{SS}$ ,  $V_{SSQ}$  applied and all other pins floating (except the pin under test, CKE,  $\overline{RESET}$  and ODT as necessary).  $V_{DD}=V_{DDQ}=1.5V$ ,  $V_{BIAS}=V_{DD}/2$  and on-die termination off.
- This parameter applies to monolithic devices only; stacked/dual-die devices are not covered here
- Absolute value of CCK-CCK
- Absolute value of CIO(DQS)-CIO( $\overline{DQS}$ )
- CI applies to ODT,  $\overline{CS}$ , CKE, A0-A15, BA0-BA2,  $\overline{RAS}$ ,  $\overline{CAS}$ ,  $\overline{WE}$ .
- CDI\_CTRL applies to ODT,  $\overline{CS}$  and CKE
- CDI\_CTRL=CI(CTRL)-0.5\*(CI(CLK)+CI( $\overline{CLK}$ ))
- CDI\_ADD\_CMD applies to A0-A15, BA0-BA2,  $\overline{RAS}$ ,  $\overline{CAS}$  and  $\overline{WE}$
- CDI\_ADD\_CMD=CI(ADD\_CMD) - 0.5\*(CI(CLK)+CI( $\overline{CLK}$ ))
- CDIO=CIO(DQ,DM) - 0.5\*(CIO(DQS)+CIO( $\overline{DQS}$ ))
- Maximum external load capacitance on ZQ pin: 5pF

## 13. Electrical Characteristics and AC timing for DDR3-800 to DDR3-2133

### 13.1 Clock Specification

The jitter specified is a random jitter meeting a Gaussian distribution. Input clocks violating the min/max values may result in malfunction of the DDR3 SDRAM device.

#### 13.1.1 Definition for tCK(avg)

tCK(avg) is calculated as the average clock period across any consecutive 200 cycle window, where each clock period is calculated from rising edge to rising edge.

$$\left( \sum_{j=1}^N t_{CKj} \right) / N \quad N=200$$

#### 13.1.2 Definition for tCK(abs)

tCK(abs) is defined as the absolute clock period, as measured from one rising edge to the next consecutive rising edge. tCK(abs) is not subject to production test.

#### 13.1.3 Definition for tCH(avg) and tCL(avg)

tCH(avg) is defined as the average high pulse width, as calculated across any consecutive 200 high pulses:

tCL(avg) is defined as the average low pulse width, as calculated across any consecutive 200 low pulses:

$$\left( \sum_{j=1}^N t_{CHj} \right) / N \times t_{CK(avg)} \quad N=200 \quad \left( \sum_{j=1}^N t_{CLj} \right) / N \times t_{CK(avg)} \quad N=200$$

#### 13.1.4 Definition for note for tJIT(per), tJIT(per, lck)

tJIT(per) is defined as the largest deviation of any single tCK from tCK(avg). tJIT(per) = min/max of {tCKi-tCK(avg)} where i=1 to 200}

tJIT(per) defines the single period jitter when the DLL is already locked.

tJIT(per,lck) uses the same definition for single period jitter, during the DLL locking period only.

tJIT(per) and tJIT(per,lck) are not subject to production test.

#### 13.1.5 Definition for tJIT(cc), tJIT(cc, lck)

tJIT(cc) is defined as the absolute difference in clock period between two consecutive clock cycles: tJIT(cc) = Max of {tCKi+1-tCKi}

tJIT(cc) defines the cycle to cycle jitter when the DLL is already locked.

tJIT(cc,lck) uses the same definition for cycle to cycle jitter, during the DLL locking period only.

tJIT(cc) and tJIT(cc,lck) are not subject to production test.

#### 13.1.6 Definition for tERR(nper)

tERR is defined as the cumulative error across n multiple consecutive cycles from tCK(avg). tERR is not subject to production test.



## 13.2 Refresh Parameters by Device Density

[ Table 42 ] Refresh parameters by device density

| Parameter                                   | Symbol | 1Gb                              | 2Gb | 4Gb | 8Gb | Units | NOTE |   |
|---|--------|----------------------------------|-----|-----|-----|-------|------|---|
| All Bank Refresh to active/refresh cmd time | tRFC   | 110                              | 160 | 260 | 350 | ns    |      |   |
| Average periodic refresh interval           | tREFI  | 0 °C ≤ T <sub>CASE</sub> ≤ 85°C  | 7.8 | 7.8 | 7.8 | 7.8   | μs   |   |
|   |        | 85 °C < T <sub>CASE</sub> ≤ 95°C | 3.9 | 3.9 | 3.9 | 3.9   | μs   | 1 |

**NOTE :**

1. Users should refer to the DRAM supplier data sheet and/or the DIMM SPD to determine if DDR3 SDRAM devices support the following options or requirements referred to in this material.

## 13.3 Speed Bins and CL, tRCD, tRP, tRC and tRAS for corresponding Bin

DDR3 SDRAM Speed Bins include tCK, tRCD, tRP, tRAS and tRC for each corresponding bin.

[ Table 43 ] DDR3-800 Speed Bins

| Speed                                    |         | DDR3-800  |         | Units | NOTE |               |
|--|---------|-----------|---------|-------|------|---------------|
| CL-nRCD-nRP                              |         | 6 - 6 - 6 |         |       |      |               |
| Parameter                                | Symbol  | min       | max     |       |      |               |
| Internal read command to first data      | tAA     | 15        | 20      | ns    |      |               |
| ACT to internal read or write delay time | tRCD    | 15        | -       | ns    |      |               |
| PRE command period                       | tRP     | 15        | -       | ns    |      |               |
| ACT to ACT or REF command period         | tRC     | 52.5      | -       | ns    |      |               |
| ACT to PRE command period                | tRAS    | 37.5      | 9*tREFI | ns    |      |               |
| CL = 5                                   | CWL = 5 | tCK(AVG)  | 3.0     | 3.3   | ns   | 1,2,3,4,10,11 |
| CL = 6                                   | CWL = 5 | tCK(AVG)  | 2.5     | 3.3   | ns   | 1,2,3         |
| Supported CL Settings                    |         |           | 5,6     |       | nCK  |               |
| Supported CWL Settings                   |         |           | 5       |       | nCK  |               |

[ Table 44 ] DR3-1066 Speed Bins

| Speed                                    |         | DDR3-1066 |          | Units | NOTE |                 |
|--|---------|-----------|----------|-------|------|-----------------|
| CL-nRCD-nRP                              |         | 7 - 7 - 7 |          |       |      |                 |
| Parameter                                | Symbol  | min       | max      |       |      |                 |
| Internal read command to first data      | tAA     | 13.125    | 20       | ns    |      |                 |
| ACT to internal read or write delay time | tRCD    | 13.125    | -        | ns    |      |                 |
| PRE command period                       | tRP     | 13.125    | -        | ns    |      |                 |
| ACT to ACT or REF command period         | tRC     | 50.625    | -        | ns    |      |                 |
| ACT to PRE command period                | tRAS    | 37.5      | 9*tREFI  | ns    |      |                 |
| CL = 5                                   | CWL = 5 | tCK(AVG)  | 3.0      | 3.3   | ns   | 1,2,3,4,5,10,11 |
|  | CWL = 6 | tCK(AVG)  | Reserved |       | ns   | 4               |
| CL = 6                                   | CWL = 5 | tCK(AVG)  | 2.5      | 3.3   | ns   | 1,2,3,5         |
|  | CWL = 6 | tCK(AVG)  | Reserved |       | ns   | 1,2,3,4         |
| CL = 7                                   | CWL = 5 | tCK(AVG)  | Reserved |       | ns   | 4               |
|  | CWL = 6 | tCK(AVG)  | 1.875    | <2.5  | ns   | 1,2,3,4,9       |
| CL = 8                                   | CWL = 5 | tCK(AVG)  | Reserved |       | ns   | 4               |
|  | CWL = 6 | tCK(AVG)  | 1.875    | <2.5  | ns   | 1,2,3           |
| Supported CL Settings                    |         |           | 5,6,7,8  |       | nCK  |                 |
| Supported CWL Settings                   |         |           | 5,6      |       | nCK  |                 |

[ Table 45 ] DDR3-1333 Speed Bins

| Speed                                    |           | DDR3-1333                     |          | Units  | NOTE |                     |
|--|-----------|-------------------------------|----------|--------|------|---------------------|
| CL-nRCD-nRP                              |           | 9 -9 - 9                      |          |        |      |                     |
| Parameter                                | Symbol    | min                           | max      |        |      |                     |
| Internal read command to first data      | tAA       | 13.5<br>(13.125) <sup>9</sup> | 20       | ns     |      |                     |
| ACT to internal read or write delay time | tRCD      | 13.5<br>(13.125) <sup>9</sup> | -        | ns     |      |                     |
| PRE command period                       | tRP       | 13.5<br>(13.125) <sup>9</sup> | -        | ns     |      |                     |
| ACT to ACT or REF command period         | tRC       | 49.5<br>(49.125) <sup>9</sup> | -        | ns     |      |                     |
| ACT to PRE command period                | tRAS      | 36                            | 9*tREFI  | ns     |      |                     |
| CL = 5                                   | CWL = 5   | tCK(AVG)                      | 3.0      | 3.3    | ns   | 1,2,3,4,6,10,<br>11 |
|  | CWL = 6,7 | tCK(AVG)                      | Reserved |        | ns   | 4                   |
| CL = 6                                   | CWL = 5   | tCK(AVG)                      | 2.5      | 3.3    | ns   | 1,2,3,6             |
|  | CWL = 6   | tCK(AVG)                      | Reserved |        | ns   | 1,2,3,4,6           |
|  | CWL = 7   | tCK(AVG)                      | Reserved |        | ns   | 4                   |
| CL = 7                                   | CWL = 5   | tCK(AVG)                      | Reserved |        | ns   | 4                   |
|  | CWL = 6   | tCK(AVG)                      | 1.875    | <2.5   | ns   | 1,2,3,4,6           |
|  | CWL = 7   | tCK(AVG)                      | Reserved |        | ns   | 1,2,3,4             |
| CL = 8                                   | CWL = 5   | tCK(AVG)                      | Reserved |        | ns   | 4                   |
|  | CWL = 6   | tCK(AVG)                      | 1.875    | <2.5   | ns   | 1,2,3,6             |
|  | CWL = 7   | tCK(AVG)                      | Reserved |        | ns   | 1,2,3,4             |
| CL = 9                                   | CWL = 5,6 | tCK(AVG)                      | Reserved |        | ns   | 4                   |
|  | CWL = 7   | tCK(AVG)                      | 1.5      | <1.875 | ns   | 1,2,3,4,9           |
| CL = 10                                  | CWL = 5,6 | tCK(AVG)                      | Reserved |        | ns   | 4                   |
|  | CWL = 7   | tCK(AVG)                      | 1.5      | <1.875 | ns   | 1,2,3               |
| Supported CL Settings                    |           | 5,6,7,8,9,10                  |          | nCK    |      |                     |
| Supported CWL Settings                   |           | 5,6,7                         |          | nCK    |      |                     |

[ Table 46 ] DDR3-1600 Speed Bins

| Speed                                    |             |                                | DDR3-1600       |        | Units | NOTE            |
|--|-------------|--------------------------------|-----------------|--------|-------|-----------------|
| CL-nRCD-nRP                              |             |                                | 11-11-11        |        |       |                 |
| Parameter                                | Symbol      | min                            | max             |        |       |                 |
| Internal read command to first data      | tAA         | 13.75<br>(13.125) <sup>9</sup> | 20              | ns     |       |                 |
| ACT to internal read or write delay time | tRCD        | 13.75<br>(13.125) <sup>9</sup> | -               | ns     |       |                 |
| PRE command period                       | tRP         | 13.75<br>(13.125) <sup>9</sup> | -               | ns     |       |                 |
| ACT to ACT or REF command period         | tRC         | 48.75<br>(48.125) <sup>9</sup> | -               | ns     |       |                 |
| ACT to PRE command period                | tRAS        | 35                             | 9*tREFI         | ns     |       |                 |
| CL = 5                                   | CWL = 5     | tCK(AVG)                       | 3.0             | 3.3    | ns    | 1,2,3,4,7,10,11 |
|  | CWL = 6,7,8 | tCK(AVG)                       | Reserved        |        | ns    | 4               |
| CL = 6                                   | CWL = 5     | tCK(AVG)                       | 2.5             | 3.3    | ns    | 1,2,3,7         |
|  | CWL = 6     | tCK(AVG)                       | Reserved        |        | ns    | 1,2,3,4,7       |
|  | CWL = 7, 8  | tCK(AVG)                       | Reserved        |        | ns    | 4               |
| CL = 7                                   | CWL = 5     | tCK(AVG)                       | Reserved        |        | ns    | 4               |
|  | CWL = 6     | tCK(AVG)                       | 1.875           | <2.5   | ns    | 1,2,3,4,7       |
|  | CWL = 7     | tCK(AVG)                       | Reserved        |        | ns    | 1,2,3,4,7       |
|  | CWL = 8     | tCK(AVG)                       | Reserved        |        | ns    | 4               |
| CL = 8                                   | CWL = 5     | tCK(AVG)                       | Reserved        |        | ns    | 4               |
|  | CWL = 6     | tCK(AVG)                       | 1.875           | <2.5   | ns    | 1,2,3,7         |
|  | CWL = 7     | tCK(AVG)                       | Reserved        |        | ns    | 1,2,3,4,7       |
|  | CWL = 8     | tCK(AVG)                       | Reserved        |        | ns    | 1,2,3,4         |
| CL = 9                                   | CWL = 5,6   | tCK(AVG)                       | Reserved        |        | ns    | 4               |
|  | CWL = 7     | tCK(AVG)                       | 1.5             | <1.875 | ns    | 1,2,3,4,7       |
|  | CWL = 8     | tCK(AVG)                       | Reserved        |        | ns    | 1,2,3,4         |
| CL = 10                                  | CWL = 5,6   | tCK(AVG)                       | Reserved        |        | ns    | 4               |
|  | CWL = 7     | tCK(AVG)                       | 1.5             | <1.875 | ns    | 1,2,3,7         |
|  | CWL = 8     | tCK(AVG)                       | Reserved        |        | ns    | 1,2,3,4         |
| CL = 11                                  | CWL = 5,6,7 | tCK(AVG)                       | Reserved        |        | ns    | 4               |
|  | CWL = 8     | tCK(AVG)                       | 1.25            | <1.5   | ns    | 1,2,3,9         |
| Supported CL Settings                    |             |                                | 5,6,7,8,9,10,11 |        | nCK   |                 |
| Supported CWL Settings                   |             |                                | 5,6,7,8         |        | nCK   |                 |

[ Table 47 ] DDR3-1866 Speed Bins

| Speed                                    |               |                                 | DDR3-1866          |        | Units | NOTE            |
|--|---------------|---------------------------------|--------------------|--------|-------|-----------------|
| CL-nRCD-nRP                              |               |                                 | 13-13-13           |        |       |                 |
| Parameter                                | Symbol        | min                             | max                |        |       |                 |
| Internal read command to first data      | tAA           | 13.91<br>(13.125) <sup>12</sup> | 20                 | ns     |       |                 |
| ACT to internal read or write delay time | tRCD          | 13.91<br>(13.125) <sup>12</sup> | -                  | ns     |       |                 |
| PRE command period                       | tRP           | 13.91<br>(13.125) <sup>12</sup> | -                  | ns     |       |                 |
| ACT to ACT or REF command period         | tRC           | 47.91<br>(47.125) <sup>12</sup> | -                  | ns     |       |                 |
| ACT to PRE command period                | tRAS          | 34                              | 9*tREFI            | ns     |       |                 |
| CL = 5                                   | CWL = 5       | tCK(AVG)                        | 3.0                | 3.3    | ns    | 1,2,3,4,8,10,11 |
|  | CWL = 6,7,8,9 | tCK(AVG)                        | Reserved           |        | ns    | 4               |
| CL = 6                                   | CWL = 5       | tCK(AVG)                        | 2.5                | 3.3    | ns    | 1,2,3,8         |
|  | CWL = 6       | tCK(AVG)                        | Reserved           |        | ns    | 1,2,3,4,8       |
|  | CWL = 7,8,9   | tCK(AVG)                        | Reserved           |        | ns    | 4               |
| CL = 7                                   | CWL = 5       | tCK(AVG)                        | Reserved           |        | ns    | 4               |
|  | CWL = 6       | tCK(AVG)                        | 1.875              | 2.5    | ns    | 1,2,3,4,8       |
|  | CWL = 7,8,9   | tCK(AVG)                        | Reserved           |        | ns    | 4               |
| CL = 8                                   | CWL = 5       | tCK(AVG)                        | Reserved           |        | ns    | 4               |
|  | CWL = 6       | tCK(AVG)                        | 1.875              | <2.5   | ns    | 1,2,3,8         |
|  | CWL = 7       | tCK(AVG)                        | Reserved           |        | ns    | 1,2,3,4,8       |
|  | CWL = 8,9     | tCK(AVG)                        | Reserved           |        | ns    | 4               |
| CL = 9                                   | CWL = 5,6     | tCK(AVG)                        | Reserved           |        | ns    | 4               |
|  | CWL = 7       | tCK(AVG)                        | 1.5                | 1.875  | ns    | 1,2,3,4,8       |
|  | CWL = 8       | tCK(AVG)                        | Reserved           |        | ns    | 4               |
|  | CWL = 9       | tCK(AVG)                        | Reserved           |        | ns    | 4               |
| CL = 10                                  | CWL = 5,6     | tCK(AVG)                        | Reserved           |        | ns    | 4               |
|  | CWL = 7       | tCK(AVG)                        | 1.5                | <1.875 | ns    | 1,2,3,8         |
|  | CWL = 8       | tCK(AVG)                        | Reserved           |        | ns    | 1,2,3,4,8       |
| CL = 11                                  | CWL = 5,6,7   | tCK(AVG)                        | Reserved           |        | ns    | 4               |
|  | CWL = 8       | tCK(AVG)                        | 1.25               | 1.5    | ns    | 1,2,3,4,8       |
|  | CWL = 9       | tCK(AVG)                        | Reserved           |        | ns    | 1,2,3,4         |
| CL = 12                                  | CWL = 5,6,7,8 | tCK(AVG)                        | Reserved           |        | ns    | 4               |
|  | CWL = 9       | tCK(AVG)                        | Reserved           |        | ns    | 1,2,3,4         |
| CL = 13                                  | CWL = 5,6,7,8 | tCK(AVG)                        | Reserved           |        | ns    | 4               |
|  | CWL = 9       | tCK(AVG)                        | 1.071              | <1.25  | ns    | 1,2,3,9         |
| Supported CL Settings                    |               |                                 | 5,6,7,8,9,10,11,13 |        | nCK   |                 |
| Supported CWL Settings                   |               |                                 | 5,6,7,8,9          |        | nCK   |                 |

[ Table 48 ] DDR3-2133 Speed Bins

| Speed                                    |                  | DDR3-2133             |          | Units   | NOTE |                 |
|--|------------------|-----------------------|----------|---------|------|-----------------|
| CL-nRCD-nRP                              |                  | 14-14-14              |          |         |      |                 |
| Parameter                                | Symbol           | min                   | max      |         |      |                 |
| Internal read command to first data      |                  | tAA                   | 13.09    | 20      | ns   |                 |
| ACT to internal read or write delay time |                  | tRCD                  | 13.09    | -       | ns   |                 |
| PRE command period                       |                  | tRP                   | 13.09    | -       | ns   |                 |
| ACT to ACT or REF command period         |                  | tRC                   | 46.09    | -       | ns   |                 |
| ACT to PRE command period                |                  | tRAS                  | 33       | 9*tREFI | ns   |                 |
| CL = 5                                   | CWL = 5          | tCK(AVG)              | 3.0      | 3.3     | ns   | 1,2,3,4,9,11,12 |
|  | CWL = 6,7,8,9,10 | tCK(AVG)              | Reserved |         | ns   | 4               |
| CL = 6                                   | CWL = 5          | tCK(AVG)              | 2.5      | 3.3     | ns   | 1,2,3,9         |
|  | CWL = 6          | tCK(AVG)              | Reserved |         | ns   | 1,2,3,4,9       |
|  | CWL = 7,8,9,10   | tCK(AVG)              | Reserved |         | ns   | 4               |
| CL = 7                                   | CWL = 5          | tCK(AVG)              | Reserved |         | ns   | 4               |
|  | CWL = 6          | tCK(AVG)              | 1.875    | <2.5    | ns   | 1,2,3,9         |
|  | CWL = 7          | tCK(AVG)              | Reserved |         | ns   | 1,2,3,4,9       |
|  | CWL = 8,9,10     | tCK(AVG)              | Reserved |         | ns   | 4               |
| CL = 8                                   | CWL = 5          | tCK(AVG)              | Reserved |         | ns   | 4               |
|  | CWL = 6          | tCK(AVG)              | 1.875    | <2.5    | ns   | 1,2,3,9         |
|  | CWL = 7          | tCK(AVG)              | Reserved |         | ns   | 1,2,3,4,9       |
|  | CWL = 8,9,10     | tCK(AVG)              | Reserved |         | ns   | 4               |
| CL = 9                                   | CWL = 5,6        | tCK(AVG)              | Reserved |         | ns   | 4               |
|  | CWL = 7          | tCK(AVG)              | 1.5      | <1.875  | ns   | 1,2,3,9         |
|  | CWL = 8          | tCK(AVG)              | Reserved |         | ns   | 1,2,3,4,9       |
|  | CWL = 9,10       | tCK(AVG)              | Reserved |         | ns   | 4               |
| CL = 10                                  | CWL = 5,6        | tCK(AVG)              | Reserved |         | ns   | 4               |
|  | CWL = 7          | tCK(AVG)              | 1.5      | <1.875  | ns   | 1,2,3,9         |
|  | CWL = 8,9        | tCK(AVG)              | Reserved |         | ns   | 1,2,3,4,9       |
|  | CWL = 10         | tCK(AVG)              | Reserved |         | ns   | 4               |
| CL = 11                                  | CWL = 5,6,7      | tCK(AVG)              | Reserved |         | ns   | 4               |
|  | CWL = 8          | tCK(AVG)              | 1.25     | <1.5    | ns   | 1,2,3,9         |
|  | CWL = 9          | tCK(AVG)              | Reserved |         | ns   | 1,2,3,4,9       |
|  | CWL = 10         | tCK(AVG)              | Reserved |         | ns   | 1,2,3,4         |
| CL = 12                                  | CWL = 5,6,7,8    | tCK(AVG)              | Reserved |         | ns   | 4               |
|  | CWL = 9          | tCK(AVG)              | Reserved |         | ns   | 1,2,3,4,9       |
|  | CWL = 10         | tCK(AVG)              | Reserved |         | ns   | 1,2,3,4         |
| CL = 13                                  | CWL = 5,6,7,8    | tCK(AVG)              | Reserved |         | ns   | 4               |
|  | CWL = 9          | tCK(AVG)              | 1.071    | <1.25   | ns   | 1,2,3,9         |
|  | CWL = 10         | tCK(AVG)              | Reserved |         | ns   | 1,2,3,4         |
| CL = 14                                  | CWL = 5,6,7,8,9  | tCK(AVG)              | Reserved |         | ns   | 4               |
|  | CWL = 10         | tCK(AVG)              | 0.938    | <1.07   | ns   | 1,2,3,10        |
| Supported CL Settings                    |                  | 5,6,7,8,9,10,11,13,14 |          | nCK     |      |                 |
| Supported CWL Settings                   |                  | 5,6,7,8,9,10          |          | nCK     |      |                 |

### 13.3.1 Speed Bin Table Notes

Absolute Specification ( $T_{OPER}$ ;  $V_{DDQ} = V_{DD} = 1.5V \pm 0.075 V$ );

**NOTE :**

1. The CL setting and CWL setting result in tCK(AVG).MIN and tCK(AVG).MAX requirements. When making a selection of tCK(AVG), both need to be fulfilled: Requirements from CL setting as well as requirements from CWL setting.
2. tCK(AVG).MIN limits: Since CAS Latency is not purely analog - data and strobe output are synchronized by the DLL - all possible intermediate frequencies may not be guaranteed. An application should use the next smaller JEDEC standard tCK(AVG) value (2.5, 1.875, 1.5, or 1.25 ns) when calculating  $CL [nCK] = tAA [ns] / tCK(AVG) [ns]$ , rounding up to the next "Supported CL".
3. tCK(AVG).MAX limits: Calculate  $tCK(AVG) = tAA.MAX / CL \text{ SELECTED}$  and round the resulting tCK(AVG) down to the next valid speed bin (i.e. 3.3ns or 2.5ns or 1.875 ns or 1.25 ns). This result is tCK(AVG).MAX corresponding to CL SELECTED.
4. "Reserved" settings are not allowed. User must program a different value.
5. Any DDR3-1066 speed bin also supports functional operation at lower frequencies as shown in the table which are not subject to Production Tests but verified by Design/Characterization.
6. Any DDR3-1333 speed bin also supports functional operation at lower frequencies as shown in the table which are not subject to Production Tests but verified by Design/Characterization.
7. Any DDR3-1600 speed bin also supports functional operation at lower frequencies as shown in the table which are not subject to Production Tests but verified by Design/Characterization.
8. Any DDR3-1866 speed bin also supports functional operation at lower frequencies as shown in the table which are not subject to Production Tests but verified by Design/Characterization.
9. Any DDR3-2133 speed bin also supports functional operation at lower frequencies as shown in the table which are not subject to Production Tests but verified by Design/Characterization.
10. For devices supporting optional downshift to CL=7 and CL=9, tAA/tRCD/tRP min must be 13.125 ns or lower. SPD settings must be programmed to match. For example, DDR3-1333(CL9) devices supporting downshift to DDR3-1066(CL7) should program 13.125 ns in SPD bytes for tAAmin (Byte 16), tRCDmin (Byte 18), and tRPmin (Byte 20). DDR3-1600(CL11) devices supporting downshift to DDR3-1333(CL9) or DDR3-1066(CL7) should program 13.125 ns in SPD bytes for tAAmin (Byte16), tRCDmin (Byte 18), and tRPmin (Byte 20). DDR3-1866(CL13) devices supporting downshift to DDR3-1600(CL11) or DDR3-1333(CL9) or DDR3-1066(CL7) should program 13.125 ns in SPD bytes for tAAmin (Byte16), tRCDmin (Byte 18), and tRPmin (Byte 20). DDR3-2133(CL14) devices supporting downshift to DDR3-1866(CL13) or DDR3-1600(CL11) or DDR3-1333(CL9) or DDR3-1066(CL7) should program 13.125 ns in SPD bytes for tAAmin (Byte16), tRCDmin (Byte 18), and tRPmin (Byte 20). Once tRP (Byte 20) is programmed to 13.125ns, tRCmin (Byte 21,23) also should be programmed accordingly. For example, 49.125ns (tRASmin + tRPmin=36ns+13.125ns) for DDR3-1333(CL9) and 48.125ns (tRASmin+tRPmin=35ns+13.125ns) for DDR3-1600(CL11).
11. DDR3 800 AC timing apply if DRAM operates at lower than 800 MT/s data rate.
12. For CL5 support, refer to DIMM SPD information. DRAM is required to support CL5. CL5 is not mandatory in SPD coding.
13. For devices supporting optional down binning to CL=11, CL=9 and CL=7, tAA/tRCD/tRPmin must be 13.125ns. SPD setting must be programmed to match. For example, DDR3-1866 devices supporting down binning to DDR3-1600 or DDR3-1333 or 1066 should program 13.125ns in SPD bytes for tAAmin(byte16), tRCDmin(Byte18) and tRPmin (byte20). Once tRP (Byte20) is programmed to 13.125ns, tRCmin (Byte21,23) also should be programmed accordingly. For example, 47.125ns (tRASmin + tRPmin = 34ns + 13.125ns)

# 14. Timing Parameters by Speed Grade

[ Table 49 ] Timing Parameters by Speed Bins for DDR3-800 to DDR3-1333 (Cont.)

| Speed  |                 | DDR3-800   |                            | DDR3-1066                  |                            | DDR3-1333                  |                            | Units    | NOTE      |
|--|-----------------|--|----------------------------|----------------------------|----------------------------|----------------------------|----------------------------|----------|-----------|
| Parameter  | Symbol          | MIN  | MAX                        | MIN                        | MAX                        | MIN                        | MAX                        |          |           |
| <b>Clock Timing</b>  |                 |  |                            |                            |                            |                            |                            |          |           |
| Minimum Clock Cycle Time (DLL off mode)  | tCK(DLL_OFF)    | 8  | -                          | 8                          | -                          | 8                          | -                          | ns       | 6         |
| Average Clock Period   | tCK(avg)        | See Speed Bins Table   |                            |                            |                            |                            |                            | ps       |           |
| Clock Period   | tCK(abs)        | tCK(avg)min + tJIT(per)min   | tCK(avg)max + tJIT(per)max | tCK(avg)min + tJIT(per)min | tCK(avg)max + tJIT(per)max | tCK(avg)min + tJIT(per)min | tCK(avg)max + tJIT(per)max | ps       |           |
| Average high pulse width   | tCH(avg)        | 0.47   | 0.53                       | 0.47                       | 0.53                       | 0.47                       | 0.53                       | tCK(avg) |           |
| Average low pulse width  | tCL(avg)        | 0.47   | 0.53                       | 0.47                       | 0.53                       | 0.47                       | 0.53                       | tCK(avg) |           |
| Clock Period Jitter  | tJIT(per)       | -100   | 100                        | -90                        | 90                         | -80                        | 80                         | ps       |           |
| Clock Period Jitter during DLL locking period  | tJIT(per, lck)  | -90  | 90                         | -80                        | 80                         | -70                        | 70                         | ps       |           |
| Cycle to Cycle Period Jitter   | tJIT(cc)        | 200  |                            | 180                        |                            | 160                        |                            | ps       |           |
| Cycle to Cycle Period Jitter during DLL locking period                               | tJIT(cc, lck)   | 180  |                            | 160                        |                            | 140                        |                            | ps       |           |
| Cumulative error across 2 cycles   | tERR(2per)      | -147   | 147                        | -132                       | 132                        | -118                       | 118                        | ps       |           |
| Cumulative error across 3 cycles   | tERR(3per)      | -175   | 175                        | -157                       | 157                        | -140                       | 140                        | ps       |           |
| Cumulative error across 4 cycles   | tERR(4per)      | -194   | 194                        | -175                       | 175                        | -155                       | 155                        | ps       |           |
| Cumulative error across 5 cycles   | tERR(5per)      | -209   | 209                        | -188                       | 188                        | -168                       | 168                        | ps       |           |
| Cumulative error across 6 cycles   | tERR(6per)      | -222   | 222                        | -200                       | 200                        | -177                       | 177                        | ps       |           |
| Cumulative error across 7 cycles   | tERR(7per)      | -232   | 232                        | -209                       | 209                        | -186                       | 186                        | ps       |           |
| Cumulative error across 8 cycles   | tERR(8per)      | -241   | 241                        | -217                       | 217                        | -193                       | 193                        | ps       |           |
| Cumulative error across 9 cycles   | tERR(9per)      | -249   | 249                        | -224                       | 224                        | -200                       | 200                        | ps       |           |
| Cumulative error across 10 cycles  | tERR(10per)     | -257   | 257                        | -231                       | 231                        | -205                       | 205                        | ps       |           |
| Cumulative error across 11 cycles  | tERR(11per)     | -263   | 263                        | -237                       | 237                        | -210                       | 210                        | ps       |           |
| Cumulative error across 12 cycles  | tERR(12per)     | -269   | 269                        | -242                       | 242                        | -215                       | 215                        | ps       |           |
| Cumulative error across n = 13, 14 ... 49, 50 cycles                                 | tERR(nper)      | tERR(nper)min = (1 + 0.68ln(n))*tJIT(per)min<br>tERR(nper)max = (1 + 0.68ln(n))*tJIT(per)max |                            |                            |                            |                            |                            | ps       | 24        |
| Absolute clock HIGH pulse width  | tCH(abs)        | 0.43   | -                          | 0.43                       | -                          | 0.43                       | -                          | tCK(avg) | 25        |
| Absolute clock Low pulse width   | tCL(abs)        | 0.43   | -                          | 0.43                       | -                          | 0.43                       | -                          | tCK(avg) | 26        |
| <b>Data Timing</b>   |                 |  |                            |                            |                            |                            |                            |          |           |
| DQS, $\overline{DQS}$ to DQ skew, per group, per access                              | tDQSQ           | -  | 200                        | -                          | 150                        | -                          | 125                        | ps       | 13        |
| DQ output hold time from DQS, $\overline{DQS}$                                       | tQH             | 0.38   | -                          | 0.38                       | -                          | 0.38                       | -                          | tCK(avg) | 13, g     |
| DQ low-impedance time from CK, $\overline{CK}$                                       | tLZ(DQ)         | -800   | 400                        | -600                       | 300                        | -500                       | 250                        | ps       | 13,14, f  |
| DQ high-impedance time from CK, $\overline{CK}$                                      | tHZ(DQ)         | -  | 400                        | -                          | 300                        | -                          | 250                        | ps       | 13,14, f  |
| Data setup time to DQS, $\overline{DQS}$ referenced to $V_{IH}(AC)V_{IL}(AC)$ levels | tDS(base) AC175 | 75   | -                          | 25                         | -                          | -                          | -                          | ps       | d, 17     |
|  | tDS(base) AC150 | 125  | -                          | 75                         | -                          | 30                         | -                          | ps       | d, 17     |
| Data hold time to DQS, $\overline{DQS}$ referenced to $V_{IH}(DC)V_{IL}(DC)$ levels  | tDH(base) DC100 | 150  | -                          | 100                        | -                          | 65                         | -                          | ps       | d, 17     |
| DQ and DM Input pulse width for each input   | tDIPW           | 600  | -                          | 490                        | -                          | 400                        | -                          | ps       | 28        |
| <b>Data Strobe Timing</b>  |                 |  |                            |                            |                            |                            |                            |          |           |
| DQS, $\overline{DQS}$ differential READ Preamble                                     | tRPRE           | 0.9  | NOTE 19                    | 0.9                        | NOTE 19                    | 0.9                        | NOTE 19                    | tCK(avg) | 13, 19, g |
| DQS, $\overline{DQS}$ differential READ Postamble                                    | tRPST           | 0.3  | NOTE 11                    | 0.3                        | NOTE 11                    | 0.3                        | NOTE 11                    | tCK(avg) | 11, 13, b |
| DQS, $\overline{DQS}$ differential output high time                                  | tQSH            | 0.38   | -                          | 0.38                       | -                          | 0.4                        | -                          | tCK(avg) | 13, g     |
| DQS, $\overline{DQS}$ differential output low time                                   | tQSL            | 0.38   | -                          | 0.38                       | -                          | 0.4                        | -                          | tCK(avg) | 13, g     |
| DQS, $\overline{DQS}$ differential WRITE Preamble                                    | tWPRE           | 0.9  | -                          | 0.9                        | -                          | 0.9                        | -                          | tCK(avg) |           |
| DQS, $\overline{DQS}$ differential WRITE Postamble                                   | tWPST           | 0.3  | -                          | 0.3                        | -                          | 0.3                        | -                          | tCK(avg) |           |
| DQS, $\overline{DQS}$ rising edge output access time from rising CK, $\overline{CK}$ | tDQSCK          | -400   | 400                        | -300                       | 300                        | -255                       | 255                        | ps       | 13,f      |
| DQS, $\overline{DQS}$ low-impedance time (Referenced from RL-1)                      | tLZ(DQS)        | -800   | 400                        | -600                       | 300                        | -500                       | 250                        | ps       | 13,14,f   |
| DQS, $\overline{DQS}$ high-impedance time (Referenced from RL+BL/2)                  | tHZ(DQS)        | -  | 400                        | -                          | 300                        | -                          | 250                        | ps       | 12,13,14  |
| DQS, $\overline{DQS}$ differential input low pulse width                             | tDQSL           | 0.45   | 0.55                       | 0.45                       | 0.55                       | 0.45                       | 0.55                       | tCK(avg) | 29, 31    |
| DQS, $\overline{DQS}$ differential input high pulse width                            | tDQSH           | 0.45   | 0.55                       | 0.45                       | 0.55                       | 0.45                       | 0.55                       | tCK(avg) | 30, 31    |
| DQS, $\overline{DQS}$ rising edge to CK, $\overline{CK}$ rising edge                 | tDQSS           | -0.25  | 0.25                       | -0.25                      | 0.25                       | -0.25                      | 0.25                       | tCK(avg) | c         |
| DQS, $\overline{DQS}$ falling edge setup time to CK, $\overline{CK}$ rising edge     | tDSS            | 0.2  | -                          | 0.2                        | -                          | 0.2                        | -                          | tCK(avg) | c, 32     |
| DQS, $\overline{DQS}$ falling edge hold time to CK, $\overline{CK}$ rising edge      | tDSH            | 0.2  | -                          | 0.2                        | -                          | 0.2                        | -                          | tCK(avg) | c, 32     |

[ Table 49 ] Timing Parameters by Speed Bins for DDR3-800 to DDR3-1333 (Cont.)

| Speed  |                    | DDR3-800  |     | DDR3-1066                   |     | DDR3-1333                   |     | Units | NOTE    |   |
|--|--------------------|---|-----|-----------------------------|-----|-----------------------------|-----|-------|---------|---|
| Parameter  | Symbol             | MIN   | MAX | MIN                         | MAX | MIN                         | MAX |       |         |   |
| <b>Command and Address Timing</b>  |                    |   |     |                             |     |                             |     |       |         |   |
| DLL locking time   | tDLLK              | 512   | -   | 512                         | -   | 512                         | -   | nCK   |         |   |
| internal READ Command to PRECHARGE Command delay   | tRTP               | max<br>(4nCK, 7.5ns)  | -   | max<br>(4nCK, 7.5ns)        | -   | max<br>(4nCK, 7.5ns)        | -   |       | e       |   |
| Delay from start of internal write transaction to internal read command                                      | tWTR               | max<br>(4nCK, 7.5ns)  | -   | max<br>(4nCK, 7.5ns)        | -   | max<br>(4nCK, 7.5ns)        | -   |       | e,18    |   |
| WRITE recovery time  | tWR                | 15  | -   | 15                          | -   | 15                          | -   | ns    | e       |   |
| Mode Register Set command cycle time   | tMRD               | 4   | -   | 4                           | -   | 4                           | -   | nCK   |         |   |
| Mode Register Set command update delay   | tMOD               | max<br>(12nCK, 15ns)  | -   | max<br>(12nCK, 15ns)        | -   | max<br>(12nCK, 15ns)        | -   |       |         |   |
| CAS to CAS command delay   | tCCD               | 4   | -   | 4                           | -   | 4                           | -   | nCK   |         |   |
| Auto precharge write recovery + precharge time   | tDAL(min)          | WR + roundup (tRP / tCK(AVG))   |     |                             |     |                             |     |       | nCK     |   |
| Multi-Purpose Register Recovery Time   | tMPRR              | 1   | -   | 1                           | -   | 1                           | -   | nCK   | 22      |   |
| ACTIVE to PRECHARGE command period   | tRAS               | See "Speed Bins and CL, tRCD, tRP, tRC and tRAS for corresponding Bin" on page 42 |     |                             |     |                             |     |       | ns      | e |
| ACTIVE to ACTIVE command period for 1KB page size  | tRRD               | max<br>(4nCK, 10ns)   | -   | max<br>(4nCK, 7.5ns)        | -   | max<br>(4nCK, 6ns)          | -   |       | e       |   |
| ACTIVE to ACTIVE command period for 2KB page size  | tRRD               | max<br>(4nCK, 10ns)   | -   | max<br>(4nCK, 10ns)         | -   | max<br>(4nCK, 7.5ns)        | -   |       | e       |   |
| Four activate window for 1KB page size   | tFAW               | 40  | -   | 37.5                        | -   | 30                          | -   | ns    | e       |   |
| Four activate window for 2KB page size   | tFAW               | 50  | -   | 50                          | -   | 45                          | -   | ns    | e       |   |
| Command and Address setup time to CK, $\overline{\text{CK}}$ referenced to $V_{IH}(AC) / V_{IL}(AC)$ levels  | tIS(base)<br>AC175 | 200   | -   | 125                         | -   | 65                          | -   | ps    | b,16    |   |
|  | tIS(base)<br>AC150 | 200 + 150   | -   | 125 + 150                   | -   | 65+125                      | -   | ps    | b,16,27 |   |
| Command and Address hold time from CK, $\overline{\text{CK}}$ referenced to $V_{IH}(DC) / V_{IL}(DC)$ levels | tIH(base)<br>DC100 | 275   | -   | 200                         | -   | 140                         | -   | ps    | b,16    |   |
| Control & Address Input pulse width for each input   | tIPW               | 900   | -   | 780                         | -   | 620                         | -   | ps    | 28      |   |
| <b>Calibration Timing</b>  |                    |   |     |                             |     |                             |     |       |         |   |
| Power-up and RESET calibration time  | tZQinitl           | 512   | -   | 512                         | -   | 512                         | -   | nCK   |         |   |
| Normal operation Full calibration time   | tZQoper            | 256   | -   | 256                         | -   | 256                         | -   | nCK   |         |   |
| Normal operation short calibration time  | tZQCS              | 64  | -   | 64                          | -   | 64                          | -   | nCK   | 23      |   |
| <b>Reset Timing</b>  |                    |   |     |                             |     |                             |     |       |         |   |
| Exit Reset from CKE HIGH to a valid command  | tXPR               | max(5nCK,<br>tRFC + 10ns)   | -   | max(5nCK,<br>tRFC + 10ns)   | -   | max(5nCK,<br>tRFC + 10ns)   | -   |       |         |   |
| <b>Self Refresh Timing</b>   |                    |   |     |                             |     |                             |     |       |         |   |
| Exit Self Refresh to commands not requiring a locked DLL   | tXS                | max(5nCK, tRFC<br>C + 10ns)   | -   | max(5nCK, tRFC<br>C + 10ns) | -   | max(5nCK, tRFC<br>C + 10ns) | -   |       |         |   |
| Exit Self Refresh to commands requiring a locked DLL   | tXSDLL             | tDLLK(min)  | -   | tDLLK(min)                  | -   | tDLLK(min)                  | -   | nCK   |         |   |
| Minimum CKE low width for Self refresh entry to exit timing  | tCKESR             | tCKE(min) +<br>t1CK   | -   | tCKE(min) +<br>t1CK         | -   | tCKE(min) +<br>t1CK         | -   |       |         |   |
| Valid Clock Requirement after Self Refresh Entry (SRE) or Power-Down Entry (PDE)                             | tCKSRE             | max(5nCK,<br>10ns)  | -   | max(5nCK,<br>10ns)          | -   | max(5nCK,<br>10ns)          | -   |       |         |   |
| Valid Clock Requirement before Self Refresh Exit (SRX) or Power-Down Exit (PDX) or Reset Exit                | tCKSRX             | max(5nCK,<br>10ns)  | -   | max(5nCK,<br>10ns)          | -   | max(5nCK,<br>10ns)          | -   |       |         |   |



[ Table 49 ] Timing Parameters by Speed Bins for DDR3-800 to DDR3-1333

| Speed  |          | DDR3-800                 |         | DDR3-1066                |         | DDR3-1333                |         | Units    | NOTE  |
|--|----------|--------------------------|---------|--------------------------|---------|--------------------------|---------|----------|-------|
| Parameter  | Symbol   | MIN                      | MAX     | MIN                      | MAX     | MIN                      | MAX     |          |       |
| <b>Power Down Timing</b>   |          |                          |         |                          |         |                          |         |          |       |
| Exit Power Down with DLL on to any valid command; Exit Precharge Power Down with DLL frozen to commands not requiring a locked DLL | tXP      | max (3nCK, 7.5ns)        | -       | max (3nCK, 7.5ns)        | -       | max (3nCK, 6ns)          | -       |          |       |
| Exit Precharge Power Down with DLL frozen to commands requiring a locked DLL   | tXPDLL   | max (10nCK, 24ns)        | -       | max (10nCK, 24ns)        | -       | max (10nCK, 24ns)        | -       |          | 2     |
| CKE minimum pulse width  | tCKE     | max (3nCK, 7.5ns)        | -       | max (3nCK, 5.625ns)      | -       | max (3nCK, 5.625ns)      | -       |          |       |
| Command pass disable delay   | tCPDED   | 1                        | -       | 1                        | -       | 1                        | -       | nCK      |       |
| Power Down Entry to Exit Timing  | tPD      | tCKE(min)                | 9*tREFI | tCKE(min)                | 9*tREFI | tCKE(min)                | 9*tREFI | tCK(avg) | 15    |
| Timing of ACT command to Power Down entry  | tACTPDEN | 1                        | -       | 1                        | -       | 1                        | -       | nCK      | 20    |
| Timing of PRE command to Power Down entry  | tPRPDEN  | 1                        | -       | 1                        | -       | 1                        | -       | nCK      | 20    |
| Timing of RD/RDA command to Power Down entry   | tRDPDEN  | RL + 4 + 1               | -       | RL + 4 + 1               | -       | RL + 4 + 1               | -       |          |       |
| Timing of WR command to Power Down entry (BL8OTF, BL8MRS, BC4OTF)  | tWRPDEN  | WL + 4 + (tWR/ tCK(avg)) | -       | WL + 4 + (tWR/ tCK(avg)) | -       | WL + 4 + (tWR/ tCK(avg)) | -       | nCK      | 9     |
| Timing of WRA command to Power Down entry (BL8OTF, BL8MRS, BC4OTF)   | tWRAPDEN | WL+4+WR + 1              | -       | WL+4+WR+1                | -       | WL+4+WR+1                | -       | nCK      | 10    |
| Timing of WR command to Power Down entry (BC4MRS)  | tWRPDEN  | WL + 2 + (tWR/ tCK(avg)) | -       | WL + 2 + (tWR/ tCK(avg)) | -       | WL + 2 + (tWR/ tCK(avg)) | -       | nCK      | 9     |
| Timing of WRA command to Power Down entry (BC4MRS)   | tWRAPDEN | WL + 2 + WR + 1          | -       | WL + 2 + WR + 1          | -       | WL + 2 + WR + 1          | -       | nCK      | 10    |
| Timing of REF command to Power Down entry  | tREFPDEN | 1                        | -       | 1                        | -       | 1                        | -       |          | 20,21 |
| Timing of MRS command to Power Down entry  | tMRSPDEN | tMOD(min)                | -       | tMOD(min)                | -       | tMOD(min)                | -       |          |       |
| <b>ODT Timing</b>  |          |                          |         |                          |         |                          |         |          |       |
| ODT high time without write command or with write command and BC4  | ODTH4    | 4                        | -       | 4                        | -       | 4                        | -       | nCK      |       |
| ODT high time with Write command and BL8   | ODTH8    | 6                        | -       | 6                        | -       | 6                        | -       | nCK      |       |
| Asynchronous RTT turn-on delay (Power-Down with DLL frozen)  | tAONPD   | 2                        | 8.5     | 2                        | 8.5     | 2                        | 8.5     | ns       |       |
| Asynchronous RTT turn-off delay (Power-Down with DLL frozen)   | tAOFPD   | 2                        | 8.5     | 2                        | 8.5     | 2                        | 8.5     | ns       |       |
| RTT turn-on  | tAON     | -400                     | 400     | -300                     | 300     | -250                     | 250     | ps       | 7,f   |
| RTT_NOM and RTT_WR turn-off time from ODTLoff reference  | tAOF     | 0.3                      | 0.7     | 0.3                      | 0.7     | 0.3                      | 0.7     | tCK(avg) | 8,f   |
| RTT dynamic change skew  | tADC     | 0.3                      | 0.7     | 0.3                      | 0.7     | 0.3                      | 0.7     | tCK(avg) | f     |
| <b>Write Leveling Timing</b>   |          |                          |         |                          |         |                          |         |          |       |
| First DQS/ $\overline{DQS}$ rising edge after write leveling mode is programmed  | tWLMRD   | 40                       | -       | 40                       | -       | 40                       | -       | tCK(avg) | 3     |
| DQS/ $\overline{DQS}$ delay after write leveling mode is programmed  | tWLDQSEN | 25                       | -       | 25                       | -       | 25                       | -       | tCK(avg) | 3     |
| Write leveling setup time from rising CK, $\overline{CK}$ crossing to rising DQS, $\overline{DQS}$ crossing                        | tWLS     | 325                      | -       | 245                      | -       | 195                      | -       | ps       |       |
| Write leveling hold time from rising DQS, $\overline{DQS}$ crossing to rising CK, $\overline{CK}$ crossing                         | tWLH     | 325                      | -       | 245                      | -       | 195                      | -       | ps       |       |
| Write leveling output delay  | tWLO     | 0                        | 9       | 0                        | 9       | 0                        | 9       | ns       |       |
| Write leveling output error  | tWLOE    | 0                        | 2       | 0                        | 2       | 0                        | 2       | ns       |       |

[ Table 50 ] Timing Parameters by Speed Bins for DDR3-1600, DDR3-2133 (Cont.)

| Speed  |                 | DDR3-1600  |                            | DDR3-1866                  |                            | DDR3-2133                  |                            | Units    | NOTE      |
|--|-----------------|--|----------------------------|----------------------------|----------------------------|----------------------------|----------------------------|----------|-----------|
| Parameter  | Symbol          | MIN  | MAX                        | MIN                        | MAX                        | MIN                        | MAX                        |          |           |
| <b>Clock Timing</b>  |                 |  |                            |                            |                            |                            |                            |          |           |
| Minimum Clock Cycle Time (DLL off mode)  | tCK(DLL_OFF)    | 8  | -                          | 8                          | -                          | 8                          | -                          | ns       | 6         |
| Average Clock Period   | tCK(avg)        | See Speed Bins Table   |                            |                            |                            |                            |                            | ps       |           |
| Clock Period   | tCK(abs)        | tCK(avg)min + tJIT(per)min   | tCK(avg)max + tJIT(per)max | tCK(avg)min + tJIT(per)min | tCK(avg)max + tJIT(per)max | tCK(avg)min + tJIT(per)min | tCK(avg)max + tJIT(per)max | ps       |           |
| Average high pulse width   | tCH(avg)        | 0.47   | 0.53                       | 0.47                       | 0.53                       | 0.47                       | 0.53                       | tCK(avg) |           |
| Average low pulse width  | tCL(avg)        | 0.47   | 0.53                       | 0.47                       | 0.53                       | 0.47                       | 0.53                       | tCK(avg) |           |
| Clock Period Jitter  | tJIT(per)       | -70  | 70                         | -60                        | 60                         | -50                        | 50                         | ps       |           |
| Clock Period Jitter during DLL locking period  | tJIT(per, lck)  | -60  | 60                         | -50                        | 50                         | -40                        | 40                         | ps       |           |
| Cycle to Cycle Period Jitter   | tJIT(cc)        | 140  |                            | 120                        |                            | 100                        |                            | ps       |           |
| Cycle to Cycle Period Jitter during DLL locking period                               | tJIT(cc, lck)   | 120  |                            | 100                        |                            | 80                         |                            | ps       |           |
| Cumulative error across 2 cycles   | tERR(2per)      | -103   | 103                        | -88                        | 88                         | -74                        | 74                         | ps       |           |
| Cumulative error across 3 cycles   | tERR(3per)      | -122   | 122                        | -105                       | 105                        | -87                        | 87                         | ps       |           |
| Cumulative error across 4 cycles   | tERR(4per)      | -136   | 136                        | -117                       | 117                        | -97                        | 97                         | ps       |           |
| Cumulative error across 5 cycles   | tERR(5per)      | -147   | 147                        | -126                       | 126                        | -105                       | 105                        | ps       |           |
| Cumulative error across 6 cycles   | tERR(6per)      | -155   | 155                        | -133                       | 133                        | -111                       | 111                        | ps       |           |
| Cumulative error across 7 cycles   | tERR(7per)      | -163   | 163                        | -139                       | 139                        | -116                       | 116                        | ps       |           |
| Cumulative error across 8 cycles   | tERR(8per)      | -169   | 169                        | -145                       | 145                        | -121                       | 121                        | ps       |           |
| Cumulative error across 9 cycles   | tERR(9per)      | -175   | 175                        | -150                       | 150                        | -125                       | 125                        | ps       |           |
| Cumulative error across 10 cycles  | tERR(10per)     | -180   | 180                        | -154                       | 154                        | -128                       | 128                        | ps       |           |
| Cumulative error across 11 cycles  | tERR(11per)     | -184   | 184                        | -158                       | 158                        | -132                       | 132                        | ps       |           |
| Cumulative error across 12 cycles  | tERR(12per)     | -188   | 188                        | -161                       | 161                        | -134                       | 134                        | ps       |           |
| Cumulative error across n = 13, 14 ... 49, 50 cycles                                 | tERR(nper)      | tERR(nper)min = (1 + 0.68ln(n))*tJIT(per)min<br>tERR(nper)max = (1 + 0.68ln(n))*tJIT(per)max |                            |                            |                            |                            |                            | ps       | 24        |
| Absolute clock HIGH pulse width  | tCH(abs)        | 0.43   | -                          | 0.43                       | -                          | 0.43                       | -                          | tCK(avg) | 25        |
| Absolute clock Low pulse width   | tCL(abs)        | 0.43   | -                          | 0.43                       | -                          | 0.43                       | -                          | tCK(avg) | 26        |
| <b>Data Timing</b>   |                 |  |                            |                            |                            |                            |                            |          |           |
| DQS, $\overline{DQS}$ to DQ skew, per group, per access                              | tDQSQ           | -  | 100                        | -                          | 85                         | -                          | 75                         | ps       | 13        |
| DQ output hold time from DQS, $\overline{DQS}$                                       | tQH             | 0.38   | -                          | 0.38                       | -                          | 0.38                       | -                          | tCK(avg) | 13, g     |
| DQ low-impedance time from CK, $\overline{CK}$                                       | tLZ(DQ)         | -450   | 225                        | -390                       | 195                        | -360                       | 180                        | ps       | 13,14, f  |
| DQ high-impedance time from CK, $\overline{CK}$                                      | tHZ(DQ)         | -  | 225                        | -                          | 195                        | -                          | 180                        | ps       | 13,14, f  |
| Data setup time to DQS, $\overline{DQS}$ referenced to $V_{IH}(AC)V_{IL}(AC)$ levels | tDS(base) AC150 | 10   | -                          | -                          | -                          | -                          | -                          | ps       | d, 17     |
|  | tDS(base) AC135 | -  | -                          | 68                         | -                          | 53                         | -                          | ps       | d, 17     |
| Data hold time to DQS, $\overline{DQS}$ referenced to $V_{IH}(DC)V_{IL}(DC)$ levels  | tDH(base) DC100 | 45   | -                          | -                          | -                          | -                          | -                          | ps       | d, 17     |
| DQ and DM Input pulse width for each input   | tDIPW           | 360  | -                          | 320                        | -                          | 280                        | -                          | ps       | 28        |
| <b>Data Strobe Timing</b>  |                 |  |                            |                            |                            |                            |                            |          |           |
| DQS, $\overline{DQS}$ differential READ Preamble                                     | tRPRE           | 0.9  | NOTE 19                    | 0.9                        | NOTE 19                    | 0.9                        | NOTE 19                    | tCK(avg) | 13, 19, g |
| DQS, $\overline{DQS}$ differential READ Postamble                                    | tRPST           | 0.3  | NOTE 11                    | 0.3                        | NOTE 11                    | 0.3                        | NOTE 11                    | tCK(avg) | 11, 13, b |
| DQS, $\overline{DQS}$ differential output high time                                  | tQSH            | 0.4  | -                          | 0.4                        | -                          | 0.4                        | -                          | tCK(avg) | 13, g     |
| DQS, $\overline{DQS}$ differential output low time                                   | tQSL            | 0.4  | -                          | 0.4                        | -                          | 0.4                        | -                          | tCK(avg) | 13, g     |
| DQS, $\overline{DQS}$ differential WRITE Preamble                                    | tWPRE           | 0.9  | -                          | 0.9                        | -                          | 0.9                        | -                          | tCK(avg) |           |
| DQS, $\overline{DQS}$ differential WRITE Postamble                                   | tWPST           | 0.3  | -                          | 0.3                        | -                          | 0.3                        | -                          | tCK(avg) |           |
| DQS, $\overline{DQS}$ rising edge output access time from rising CK, $\overline{CK}$ | tDQSCK          | -225   | 225                        | -195                       | 195                        | -180                       | 180                        | ps       | 13,f      |
| DQS, $\overline{DQS}$ low-impedance time (Referenced from RL-1)                      | tLZ(DQS)        | -450   | 225                        | -390                       | 195                        | -360                       | 180                        | ps       | 13,14,f   |
| DQS, $\overline{DQS}$ high-impedance time (Referenced from RL+BL/2)                  | tHZ(DQS)        | -  | 225                        | -                          | 195                        | -                          | 180                        | ps       | 12,13,14  |
| DQS, $\overline{DQS}$ differential input low pulse width                             | tDQSL           | 0.45   | 0.55                       | 0.45                       | 0.55                       | 0.45                       | 0.55                       | tCK(avg) | 29, 31    |
| DQS, $\overline{DQS}$ differential input high pulse width                            | tDQSH           | 0.45   | 0.55                       | 0.45                       | 0.55                       | 0.45                       | 0.55                       | tCK(avg) | 30, 31    |
| DQS, $\overline{DQS}$ rising edge to CK, $\overline{CK}$ rising edge                 | tDQSS           | -0.27  | 0.27                       | -0.27                      | 0.27                       | -0.27                      | 0.27                       | tCK(avg) | c         |
| DQS, $\overline{DQS}$ falling edge setup time to CK, $\overline{CK}$ rising edge     | tDSS            | 0.18   | -                          | 0.18                       | -                          | 0.18                       | -                          | tCK(avg) | c, 32     |
| DQS, $\overline{DQS}$ falling edge hold time to CK, $\overline{CK}$ rising edge      | tDSH            | 0.18   | -                          | 0.18                       | -                          | 0.18                       | -                          | tCK(avg) | c, 32     |

[ Table 50 ] Timing Parameters by Speed Bins for DDR3-1600, DDR3-2133 (Cont.)

| Speed  |                    | DDR3-1600   |     | DDR3-1866                   |     | DDR3-2133                   |     | Units | NOTE      |   |
|--|--------------------|---|-----|-----------------------------|-----|-----------------------------|-----|-------|-----------|---|
| Parameter  | Symbol             | MIN   | MAX | MIN                         | MAX | MIN                         | MAX |       |           |   |
| <b>Command and Address Timing</b>  |                    |   |     |                             |     |                             |     |       |           |   |
| DLL locking time   | tDLLK              | 512   | -   | 512                         | -   | 512                         | -   | nCK   |           |   |
| internal READ Command to PRECHARGE Command delay   | tRTP               | max<br>(4nCK, 7.5ns)  | -   | max<br>(4nCK, 7.5ns)        | -   | max<br>(4nCK, 7.5ns)        | -   |       | e         |   |
| Delay from start of internal write transaction to internal read command                                      | tWTR               | max<br>(4nCK, 7.5ns)  | -   | max<br>(4nCK, 7.5ns)        | -   | max<br>(4nCK, 7.5ns)        | -   |       | e, 18     |   |
| WRITE recovery time  | tWR                | 15  | -   | 15                          | -   | 15                          | -   | ns    | e         |   |
| Mode Register Set command cycle time   | tMRD               | 4   | -   | 4                           | -   | 4                           | -   | nCK   |           |   |
| Mode Register Set command update delay   | tMOD               | max<br>(12nCK, 15ns)  | -   | max<br>(12nCK, 15ns)        | -   | max<br>(12nCK, 15ns)        | -   |       |           |   |
| CAS to $\overline{\text{CAS}}$ command delay   | tCCD               | 4   | -   | 4                           | -   | 4                           | -   | nCK   |           |   |
| Auto precharge write recovery + precharge time   | tDAL(min)          | WR + roundup (tRP / tCK(AVG))   |     |                             |     |                             |     |       | nCK       |   |
| Multi-Purpose Register Recovery Time   | tMPRR              | 1   | -   | 1                           | -   | 1                           | -   | nCK   | 22        |   |
| ACTIVE to PRECHARGE command period   | tRAS               | See 13.3 "Speed Bins and CL, tRCD, tRP, tRC and tRAS for corresponding Bin" |     |                             |     |                             |     |       | ns        | e |
| ACTIVE to ACTIVE command period for 1KB page size  | tRRD               | max<br>(4nCK, 6ns)  | -   | max<br>(4nCK, 5ns)          | -   | max<br>(4nCK, 5ns)          | -   |       | e         |   |
| ACTIVE to ACTIVE command period for 2KB page size  | tRRD               | max<br>(4nCK, 7.5ns)  | -   | max<br>(4nCK, 6ns)          | -   | max<br>(4nCK, 6ns)          | -   |       | e         |   |
| Four activate window for 1KB page size   | tFAW               | 30  | -   | 27                          | -   | 25                          | -   | ns    | e         |   |
| Four activate window for 2KB page size   | tFAW               | 40  | -   | 35                          | -   | 35                          | -   | ns    | e         |   |
| Command and Address setup time to CK, $\overline{\text{CK}}$ referenced to $V_{IH}(AC) / V_{IL}(AC)$ levels  | tIS(base)<br>AC175 | 45  | -   | -                           | -   | -                           | -   | ps    | b, 16     |   |
|  | tIS(base)<br>AC150 | 170   | -   | -                           | -   | -                           | -   | ps    | b, 16     |   |
|  | tIS(base)<br>AC135 | -   | -   | 65                          | -   | 60                          | -   | ps    | b, 16     |   |
|  | tIS(base)<br>AC125 | -   | -   | 150                         | -   | 135                         | -   | ps    | b, 16, 27 |   |
| Command and Address hold time from CK, $\overline{\text{CK}}$ referenced to $V_{IH}(DC) / V_{IL}(DC)$ levels | tIH(base)<br>DC100 | 120   | -   | 100                         | -   | 95                          | -   | ps    | b, 16     |   |
| Control & Address Input pulse width for each input   | tIPW               | 560   | -   | 535                         | -   | 470                         | -   | ps    | 28        |   |
| <b>Calibration Timing</b>  |                    |   |     |                             |     |                             |     |       |           |   |
| Power-up and RESET calibration time  | tZQinitl           | 512   | -   | max(512nCK, 640ns)          | -   | max(512nCK, 640ns)          | -   | nCK   |           |   |
| Normal operation Full calibration time   | tZQoper            | 256   | -   | max(256nCK, 320ns)          | -   | max(256nCK, 320ns)          | -   | nCK   |           |   |
| Normal operation short calibration time  | tZQCS              | 64  | -   | max(64nCK, 80ns)            | -   | max(64nCK, 80ns)            | -   | nCK   | 23        |   |
| <b>Reset Timing</b>  |                    |   |     |                             |     |                             |     |       |           |   |
| Exit Reset from CKE HIGH to a valid command  | tXPR               | max(5nCK, tRFC + 10ns)  | -   | max(5nCK, tRFC(min) + 10ns) | -   | max(5nCK, tRFC(min) + 10ns) | -   |       |           |   |
| <b>Self Refresh Timing</b>   |                    |   |     |                             |     |                             |     |       |           |   |
| Exit Self Refresh to commands not requiring a locked DLL   | tXS                | max(5nCK, tRFC + 10ns)  | -   | max(5nCK, tRFC(min) + 10ns) | -   | max(5nCK, tRFC(min) + 10ns) | -   |       |           |   |
| Exit Self Refresh to commands requiring a locked DLL   | tXSDLL             | tDLLK(min)  | -   | tDLLK(min)                  | -   | tDLLK(min)                  | -   | nCK   |           |   |
| Minimum CKE low width for Self refresh entry to exit timing  | tCKESR             | tCKE(min) + 1tCK  | -   | tCKE(min) + 1nCK            | -   | tCKE(min) + 1nCK            | -   |       |           |   |
| Valid Clock Requirement after Self Refresh Entry (SRE) or Power-Down Entry (PDE)                             | tCKSRE             | max(5nCK, 10ns)   | -   | max(5nCK, 10ns)             | -   | max(5nCK, 10ns)             | -   |       |           |   |
| Valid Clock Requirement before Self Refresh Exit (SRX) or Power-Down Exit (PDX) or Reset Exit                | tCKSRX             | max(5nCK, 10ns)   | -   | max(5nCK, 10ns)             | -   | max(5nCK, 10ns)             | -   |       |           |   |

[ Table 50 ] Timing Parameters by Speed Bins for DDR3-1600 to DDR3-2133

| Speed  |          | DDR3-1600               |         | DDR3-1866               |         | DDR3-2133               |         | Units    | NOTE  |
|--|----------|-------------------------|---------|-------------------------|---------|-------------------------|---------|----------|-------|
| Parameter  | Symbol   | MIN                     | MAX     | MIN                     | MAX     | MIN                     | MAX     |          |       |
| <b>Power Down Timing</b>   |          |                         |         |                         |         |                         |         |          |       |
| Exit Power Down with DLL on to any valid command; Exit Precharge Power Down with DLL frozen to commands not requiring a locked DLL | tXP      | max(3nCK, 6ns)          | -       | max(3nCK, 6ns)          | -       | max(3nCK, 6ns)          | -       |          |       |
| Exit Precharge Power Down with DLL frozen to commands requiring a locked DLL   | tXPDLL   | max(10nCK, 24ns)        | -       | max(10nCK, 24ns)        | -       | max(10nCK, 24ns)        | -       |          | 2     |
| CKE minimum pulse width  | tCKE     | max(3nCK, 5ns)          | -       | max(3nCK, 5ns)          | -       | max(3nCK, 5ns)          | -       |          |       |
| Command pass disable delay   | tCPDED   | 1                       | -       | 2                       | -       | 2                       | -       | nCK      |       |
| Power Down Entry to Exit Timing  | tPD      | tCKE(min)               | 9*tREFI | tCKE(min)               | 9*tREFI | tCKE(min)               | 9*tREFI | tCK(avg) | 15    |
| Timing of ACT command to Power Down entry  | tACTPDEN | 1                       | -       | 1                       | -       | 2                       | -       | nCK      | 20    |
| Timing of PRE command to Power Down entry  | tPRPDEN  | 1                       | -       | 1                       | -       | 2                       | -       | nCK      | 20    |
| Timing of RD/RDA command to Power Down entry   | tRDPDEN  | RL + 4 + 1              | -       | RL + 4 + 1              | -       | RL + 4 + 1              | -       |          |       |
| Timing of WR command to Power Down entry (BL8OTF, BL8MRS, BC4OTF)  | tWRPDEN  | WL + 4 + (tWR/tCK(avg)) | -       | WL + 4 + (tWR/tCK(avg)) | -       | WL + 4 + (tWR/tCK(avg)) | -       | nCK      | 9     |
| Timing of WRA command to Power Down entry (BL8OTF, BL8MRS, BC4OTF)   | tWRAPDEN | WL + 4 + WR + 1         | -       | WL + 4 + WR + 1         | -       | WL + 4 + WR + 1         | -       | nCK      | 10    |
| Timing of WR command to Power Down entry (BC4MRS)  | tWRPDEN  | WL + 2 + (tWR/tCK(avg)) | -       | WL + 2 + (tWR/tCK(avg)) | -       | WL + 2 + (tWR/tCK(avg)) | -       | nCK      | 9     |
| Timing of WRA command to Power Down entry (BC4MRS)   | tWRAPDEN | WL + 2 + WR + 1         | -       | WL + 2 + WR + 1         | -       | WL + 2 + WR + 1         | -       | nCK      | 10    |
| Timing of REF command to Power Down entry  | tREFPDEN | 1                       | -       | 1                       | -       | 2                       | -       |          | 20,21 |
| Timing of MRS command to Power Down entry  | tMRSPDEN | tMOD(min)               | -       | tMOD(min)               | -       | tMOD(min)               | -       |          |       |
| <b>ODT Timing</b>  |          |                         |         |                         |         |                         |         |          |       |
| ODT high time without write command or with write command and BC4  | ODTH4    | 4                       | -       | 4                       | -       | 4                       | -       | nCK      |       |
| ODT high time with Write command and BL8   | ODTH8    | 6                       | -       | 6                       | -       | 6                       | -       | nCK      |       |
| Asynchronous RTT turn-on delay (Power-Down with DLL frozen)  | tAONPD   | 2                       | 8.5     | 2                       | 8.5     | 2                       | 8.5     | ns       |       |
| Asynchronous RTT turn-off delay (Power-Down with DLL frozen)   | tAOFPD   | 2                       | 8.5     | 2                       | 8.5     | 2                       | 8.5     | ns       |       |
| RTT turn-on  | tAON     | -225                    | 225     | -195                    | 195     | -180                    | 180     | ps       | 7,f   |
| RTT_NOM and RTT_WR turn-off time from ODTLoff reference  | tAOF     | 0.3                     | 0.7     | 0.3                     | 0.7     | 0.3                     | 0.7     | tCK(avg) | 8,f   |
| RTT dynamic change skew  | tADC     | 0.3                     | 0.7     | 0.3                     | 0.7     | 0.3                     | 0.7     | tCK(avg) | f     |
| <b>Write Leveling Timing</b>   |          |                         |         |                         |         |                         |         |          |       |
| First DQS/DQS rising edge after write leveling mode is programmed  | tWLMRD   | 40                      | -       | 40                      | -       | 40                      | -       | tCK(avg) | 3     |
| DQS/DQS delay after write leveling mode is programmed  | tWLDQSEN | 25                      | -       | 25                      | -       | 25                      | -       | tCK(avg) | 3     |
| Write leveling setup time from rising CK, CK crossing to rising DQS, DQS crossing  | tWLS     | 165                     | -       | 140                     | -       | 125                     | -       | ps       |       |
| Write leveling hold time from rising DQS, DQS crossing to rising CK, CK crossing   | tWLH     | 165                     | -       | 140                     | -       | 125                     | -       | ps       |       |
| Write leveling output delay  | tWLO     | 0                       | 7.5     | 0                       | 7.5     | 0                       | 7.5     | ns       |       |
| Write leveling output error  | tWLOE    | 0                       | 2       | 0                       | 2       | 0                       | 2       | ns       |       |

## 14.1 Jitter Notes

- Specific Note a** Unit 'tCK(avg)' represents the actual tCK(avg) of the input clock under operation. Unit 'nCK' represents one clock cycle of the input clock, counting the actual clock edges.ex) tMRD = 4 [nCK] means; if one Mode Register Set command is registered at Tm, another Mode Register Set command may be registered at Tm+4, even if (Tm+4 - Tm) is 4 x tCK(avg) + tERR(4per),min.
- Specific Note b** These parameters are measured from a command/address signal (CKE,  $\overline{CS}$ ,  $\overline{RAS}$ ,  $\overline{CAS}$ ,  $\overline{WE}$ , ODT, BA0, A0, A1, etc.) transition edge to its respective clock signal (CK/ $\overline{CK}$ ) crossing. The spec values are not affected by the amount of clock jitter applied (i.e. tJIT(per), tJIT(cc), etc.), as the setup and hold are relative to the clock signal crossing that latches the command/address. That is, these parameters should be met whether clock jitter is present or not.
- Specific Note c** These parameters are measured from a data strobe signal (DQS(L/U),  $\overline{DQS}$ (L/U)) crossing to its respective clock signal (CK,  $\overline{CK}$ ) crossing. The spec values are not affected by the amount of clock jitter applied (i.e. tJIT(per), tJIT(cc), etc.), as these are relative to the clock signal crossing. That is, these parameters should be met whether clock jitter is present or not.
- Specific Note d** These parameters are measured from a data signal (DM(L/U), DQ(L/U)0, DQ(L/U)1, etc.) transition edge to its respective data strobe signal (DQS(L/U),  $\overline{DQS}$ (L/U)) crossing.
- Specific Note e** For these parameters, the DDR3 SDRAM device supports tPARAM [nCK] = RU{ tPARAM [ns] / tCK(avg) [ns] }, which is in clock cycles, assuming all input clock jitter specifications are satisfied. For example, the device will support tRP = RU{tRP / tCK(avg)}, which is in clock cycles, if all input clock jitter specifications are met. This means: For DDR3-800 6-6-6, of which tRP = 15ns, the device will support tRP = RU{tRP / tCK(avg)} = 6, as long as the input clock jitter specifications are met, i.e. Precharge command at Tm and Active command at Tm+6 is valid even if (Tm+6 - Tm) is less than 15ns due to input clock jitter.
- Specific Note f** When the device is operated with input clock jitter, this parameter needs to be derated by the actual tERR(mper),act of the input clock, where 2 <= m <= 12. (output deratings are relative to the SDRAM input clock.)  
For example, if the measured jitter into a DDR3-800 SDRAM has tERR(mper),act,min = - 172 ps and tERR(mper),act,max = + 193 ps, then tDQSCK,min(derated) = tDQSCK,min - tERR(mper),act,max = - 400 ps - 193 ps = - 593 ps and tDQSCK,max(derated) = tDQSCK,max - tERR(mper),act,min = 400 ps + 172 ps = + 572 ps. Similarly, tLZ(DQ) for DDR3-800 derates to tLZ(DQ),min(derated) = - 800 ps - 193 ps = - 993 ps and tLZ(DQ),max(derated) = 400 ps + 172 ps = + 572 ps. (Caution on the min/max usage!)  
Note that tERR(mper),act,min is the minimum measured value of tERR(nper) where 2 <= n <= 12, and tERR(mper),act,max is the maximum measured value of tERR(nper) where 2 <= n <= 12.
- Specific Note g** When the device is operated with input clock jitter, this parameter needs to be derated by the actual tJIT(per),act of the input clock. (output deratings are relative to the SDRAM input clock.) For example, if the measured jitter into a DDR3-800 SDRAM has tCK(avg),act = 2500 ps, tJIT(per),act,min = - 72 ps and tJIT(per),act,max = + 93 ps, then tRPRE,min(derated) = tRPRE,min + tJIT(per),act,min = 0.9 x tCK(avg),act + tJIT(per),act,min = 0.9 x 2500 ps - 72 ps = + 2178 ps. Similarly, tQH,min(derated) = tQH,min + tJIT(per),act,min = 0.38 x tCK(avg),act + tJIT(per),act,min = 0.38 x 2500 ps - 72 ps = + 878 ps. (Caution on the min/max usage!)

## 14.2 Timing Parameter Notes

- Actual value dependant upon measurement level definitions see "Device Operation & Timing Diagram Datasheet".
- Commands requiring a locked DLL are: READ (and RAP) and synchronous ODT commands.
- The max values are system dependent.
- WR as programmed in mode register
- Value must be rounded-up to next higher integer value
- There is no maximum cycle time limit besides the need to satisfy the refresh interval, tREFI.
- For definition of RTT turn-on time tAON see "Device Operation & Timing Diagram Datasheet"
- For definition of RTT turn-off time tAOF see "Device Operation & Timing Diagram Datasheet".
- tWR is defined in ns, for calculation of tWRPDEN it is necessary to round up tWR / tCK to the next integer.
- WR in clock cycles as programmed in MR0
- The maximum read postamble is bound by tDQSCK(min) plus tQSH(min) on the left side and tHZ(DQS)max on the right side. See "Device Operation & Timing Diagram Datasheet".
- Output timing deratings are relative to the SDRAM input clock. When the device is operated with input clock jitter, this parameter needs to be derated by 14.1-Jitter Notes on page 53
- Value is only valid for RON34
- Single ended signal parameter. Refer to chapter 8 and chapter 9 for definition and measurement method.
- tREFI depends on T<sub>OPER</sub>
- tIS(base) and tIH(base) values are for 1V/ns CMD/ADD single-ended slew rate and 2V/ns CK,  $\overline{CK}$  differential slew rate. Note for DQ and DM signals, V<sub>REF(DC)</sub> = V<sub>REFDQ(DC)</sub>. For input only pins except RESET, V<sub>REF(DC)</sub>=V<sub>REFCA(DC)</sub>. See "Address/Command Setup, Hold and Derating :" on page 55. .
- tDS(base) and tDH(base) values are for 1V/ns DQ single-ended slew rate and 2V/ns DQS,  $\overline{DQS}$  differential slew rate. Note for DQ and DM signals, V<sub>REF(DC)</sub>= V<sub>REFDQ(DC)</sub>. For input only pins except RESET, V<sub>REF(DC)</sub>=V<sub>REFCA(DC)</sub>. See "Data Setup, Hold and Slew Rate Derating :" on page 62.
- Start of internal write transaction is defined as follows ;  
For BL8 (fixed by MRS and on-the-fly) : Rising clock edge 4 clock cycles after WL.  
For BC4 (on-the-fly) : Rising clock edge 4 clock cycles after WL  
For BC4 (fixed by MRS) : Rising clock edge 2 clock cycles after WL
- The maximum read preamble is bound by tLZDQS(min) on the left side and tDQSCK(max) on the right side. See "Device Operation & Timing Diagram Datasheet"
- CKE is allowed to be registered low while operations such as row activation, precharge, autoprecharge or refresh are in progress, but power-down IDD spec will not be applied until finishing those operations.
- Although CKE is allowed to be registered LOW after a REFRESH command once tREFPDEN(min) is satisfied, there are cases where additional time such as tXPDLL(min) is also required. See "Device Operation & Timing Diagram Datasheet".
- Defined between end of MPR read burst and MRS which reloads MPR or disables MPR function.
- One ZQCS command can effectively correct a minimum of 0.5 % (ZQCorrection) of RON and RTT impedance error within 64 nCK for all speed bins assuming the maximum sensitivities specified in the 'Output Driver Voltage and Temperature Sensitivity' and 'ODT Voltage and Temperature Sensitivity' tables. The appropriate interval between ZQCS commands can be determined from these tables and other application specific parameters. One method for calculating the interval between ZQCS commands, given the temperature (Tdriftrate) and voltage (Vdriftrate) drift rates that the SDRAM is subject to in the application, is illustrated. The interval could be defined by the following formula:

$$\frac{\text{ZQCorrection}}{(\text{TSens} \times \text{Tdriftrate}) + (\text{VSens} \times \text{Vdriftrate})}$$

where TSens = max(dRTTdT, dRONdTM) and VSens = max(dRTTdV, dRONdVM) define the SDRAM temperature and voltage sensitivities.

For example, if TSens = 1.5% /°C, VSens = 0.15% / mV, Tdriftrate = 1°C / sec and Vdriftrate = 15 mV / sec, then the interval between ZQCS commands is calculated as:

$$\frac{0.5}{(1.5 \times 1) + (0.15 \times 15)} = 0.133 \approx 128\text{ms}$$

- n = from 13 cycles to 50 cycles. This row defines 38 parameters.
- tCH(abs) is the absolute instantaneous clock high pulse width, as measured from one rising edge to the following falling edge.
- tCL(abs) is the absolute instantaneous clock low pulse width, as measured from one falling edge to the following rising edge.
- The tIS(base) AC150 specifications are adjusted from the tIS(base) AC175 specification by adding an additional 125 ps for DDR3-800/1066 or 100ps for DDR3-1333/1600 of derating to accommodate for the lower alternate threshold of 150mV and another 25ps to account for the earlier reference point [(175mV - 150 mV) / 1 V/ns].
- Pulse width of a input signal is defined as the width between the first crossing of V<sub>REF(DC)</sub> and the consecutive crossing of V<sub>REF(DC)</sub>
- tDQSL describes the instantaneous differential input low pulse width on DQS- $\overline{DQS}$ , as measured from one falling edge to the next consecutive rising edge.
- tDQSH describes the instantaneous differential input high pulse width on DQS- $\overline{DQS}$ , as measured from one rising edge to the next consecutive falling edge.
- tDQSH, act + tDQSL, act = 1 tCK, act ; with tXYZ, act being the actual measured value of the respective timing parameter in the application.
- tDSH, act + tDSS, act = 1 tCK, act ; with tXYZ, act being the actual measured value of the respective timing parameter in the application.
- The tIS(base) AC125 specifications are adjusted from the tIS(base) AC135 specification by adding an additional 75ps for DDR3-1866 to accommodate for the lower alternate threshold of 125mV and another 10ps to account for the earlier reference point [(135mV - 125mV) / 1 V/ns].

## 14.3 Address/Command Setup, Hold and Derating :

For all input signals the total tIS (setup time) and tIH (hold time) required is calculated by adding the data sheet tIS(base) and tIH(base) value (see Table 51) to the  $\Delta tIS$  and  $\Delta tIH$  derating value (see Table 52) respectively.

Example: tIS (total setup time) = tIS(base) +  $\Delta tIS$  Setup (tIS) nominal slew rate for a rising signal is defined as the slew rate between the last crossing of  $V_{REF}(DC)$  and the first crossing of  $V_{IH}(AC)_{min}$ . Setup (tIS) nominal slew rate for a falling signal is defined as the slew rate between the last crossing of  $V_{REF}(DC)$  and the first crossing of  $V_{IL}(AC)_{max}$ . If the actual signal is always earlier than the nominal slew rate line between shaded ' $V_{REF}(DC)$  to ac region', use nominal slew rate for derating value (see Figure 21). If the actual signal is later than the nominal slew rate line anywhere between shaded ' $V_{REF}(DC)$  to ac region', the slew rate of a tangent line to the actual signal from the ac level to dc level is used for derating value (see Figure 23).

Hold (tIH) nominal slew rate for a rising signal is defined as the slew rate between the last crossing of  $V_{IL}(DC)_{max}$  and the first crossing of  $V_{REF}(DC)$ . Hold (tIH) nominal slew rate for a falling signal is defined as the slew rate between the last crossing of  $V_{IH}(DC)_{min}$  and the first crossing of  $V_{REF}(DC)$ . If the actual signal is always later than the nominal slew rate line between shaded 'dc to  $V_{REF}(DC)$  region', use nominal slew rate for derating value (see Figure 22). If the actual signal is earlier than the nominal slew rate line anywhere between shaded 'dc to  $V_{REF}(DC)$  region', the slew rate of a tangent line to the actual signal from the dc level to  $V_{REF}(DC)$  level is used for derating value (see Figure 24).

For a valid transition the input signal has to remain above/below  $V_{IH/IL}(AC)$  for some time tVAC (see Table 56).

Although for slow slew rates the total setup time might be negative (i.e. a valid input signal will not have reached  $V_{IH/IL}(AC)$  at the time of the rising clock transition) a valid input signal is still required to complete the transition and reach  $V_{IH/IL}(AC)$ .

For slow rates in between the values listed in Table 52, the derating values may be obtained by linear interpolation.

These values are typically not subject to production test. They are verified by design and characterization.

[ Table 51 ] ADD/CMD Setup and Hold Base-Values for 1V/ns

| [ps]            | DDR3-800 | DDR3-1066 | DDR3-1333 | DDR3-1600 | DDR3-1866 | DDR3-2133 | reference      |
|-----------------|----------|-----------|-----------|-----------|-----------|-----------|----------------|
| tIS(base) AC175 | 200      | 125       | 65        | 45        | -         | -         | $V_{IH/L}(AC)$ |
| tIS(base) AC150 | 350      | 275       | 190       | 170       | -         | -         | $V_{IH/L}(AC)$ |
| tIS(base)-AC135 | -        | -         | -         | -         | 65        | 60        | $V_{IH/L}(AC)$ |
| tIS(base)-AC125 | -        | -         | -         | -         | 150       | 135       | $V_{IH/L}(AC)$ |
| tIH(base)-DC100 | 275      | 200       | 140       | 120       | 100       | 95        | $V_{IH/L}(DC)$ |

- NOTE :**
- AC/DC referenced for 1V/ns Address/Command slew rate and 2 V/ns differential  $\overline{CK-CK}$  slew rate
  - The tIS(base)-AC150 specifications are adjusted from the tIS(base) AC175 specification by adding an additional 125ps for DDR3-800/1066 or 100ps for DDR3-1333/1600 of derating to accommodate for the lower alternate threshold of 150mV and another 25ps to account for the earlier reference point [(175mV-150mV)/1 V/ns]
  - The tIS(base) AC125 specifications are adjusted from the tIS(base) AC135 specification by adding an additional 75ps for DDR3-1866 and 65ps for DDR3-2133 to accommodate for the lower alternate threshold of 125mV and another 10ps to account for the earlier reference point [(135mV-125mV)/1V/ns].

[ Table 52 ] Derating values DDR3-800/1066/1333/1600 tIS/tIH-AC/DC based AC175 Threshold

| $\Delta tIS, \Delta tIH$ Derating [ps] AC/DC based<br>Alternate AC175 Threshold $\rightarrow V_{IH}(AC) = V_{REF}(DC) + 175mV, V_{IL}(AC) = V_{REF}(DC) - 175mV$ |     |              |              |              |              |              |              |              |              |              |              |              |              |              |              |              |              |
|--|-----|--------------|--------------|--------------|--------------|--------------|--------------|--------------|--------------|--------------|--------------|--------------|--------------|--------------|--------------|--------------|--------------|
| CLK,CLK Differential Slew Rate   |     |              |              |              |              |              |              |              |              |              |              |              |              |              |              |              |              |
|  |     | 4.0 V/ns     |              | 3.0 V/ns     |              | 2.0 V/ns     |              | 1.8 V/ns     |              | 1.6 V/ns     |              | 1.4V/ns      |              | 1.2V/ns      |              | 1.0V/ns      |              |
|  |     | $\Delta tIS$ | $\Delta tIH$ | $\Delta tIS$ | $\Delta tIH$ | $\Delta tIS$ | $\Delta tIH$ | $\Delta tIS$ | $\Delta tIH$ | $\Delta tIS$ | $\Delta tIH$ | $\Delta tIS$ | $\Delta tIH$ | $\Delta tIS$ | $\Delta tIH$ | $\Delta tIS$ | $\Delta tIH$ |
| CMD/<br>ADD<br>Slew<br>rate<br>V/ns  | 2.0 | 88           | 50           | 88           | 50           | 88           | 50           | 96           | 58           | 104          | 66           | 112          | 74           | 120          | 84           | 128          | 100          |
|  | 1.5 | 59           | 34           | 59           | 34           | 59           | 34           | 67           | 42           | 75           | 50           | 83           | 58           | 91           | 68           | 99           | 84           |
|  | 1.0 | 0            | 0            | 0            | 0            | 0            | 0            | 8            | 8            | 16           | 16           | 24           | 24           | 32           | 34           | 40           | 50           |
|  | 0.9 | -2           | -4           | -2           | -4           | -2           | -4           | 6            | 4            | 14           | 12           | 22           | 20           | 30           | 30           | 38           | 46           |
|  | 0.8 | -6           | -10          | -6           | -10          | -6           | -10          | 2            | -2           | 10           | 6            | 18           | 14           | 26           | 24           | 34           | 40           |
|  | 0.7 | -11          | -16          | -11          | -16          | -11          | -16          | -3           | -8           | 5            | 0            | 13           | 8            | 21           | 18           | 29           | 34           |
|  | 0.6 | -17          | -26          | -17          | -26          | -17          | -26          | -9           | -18          | -1           | -10          | 7            | -2           | 15           | 8            | 23           | 24           |
|  | 0.5 | -35          | -40          | -35          | -40          | -35          | -40          | -27          | -32          | -19          | -24          | -11          | -16          | -2           | -6           | 5            | 10           |
| 0.4  | -62 | -60          | -62          | -60          | -62          | -60          | -54          | -52          | -46          | -44          | -38          | -36          | -30          | -26          | -22          | -10          |              |

[ Table 53 ] Derating values DDR3-800/1066/1333/1600 tIS/tIH-AC/DC based - Alternate AC150 Threshold

| ΔtIS, ΔtIH Derating [ps] AC/DC based<br>Alternate AC150 Threshold -> $V_{IH}(AC) = V_{REF}(DC) + 150mV$ , $V_{IL}(AC) = V_{REF}(DC) - 150mV$ |     |                                |      |          |      |          |      |          |      |          |      |         |      |         |      |         |      |
|--|-----|--------------------------------|------|----------|------|----------|------|----------|------|----------|------|---------|------|---------|------|---------|------|
|  |     | CLK,CLK Differential Slew Rate |      |          |      |          |      |          |      |          |      |         |      |         |      |         |      |
|  |     | 4.0 V/ns                       |      | 3.0 V/ns |      | 2.0 V/ns |      | 1.8 V/ns |      | 1.6 V/ns |      | 1.4V/ns |      | 1.2V/ns |      | 1.0V/ns |      |
|  |     | ΔtIS                           | ΔtIH | ΔtIS     | ΔtIH | ΔtIS     | ΔtIH | ΔtIS     | ΔtIH | ΔtIS     | ΔtIH | ΔtIS    | ΔtIH | ΔtIS    | ΔtIH | ΔtIS    | ΔtIH |
| CMD/<br>ADD<br>Slew<br>rate<br>V/ns  | 2.0 | 75                             | 50   | 75       | 50   | 75       | 50   | 83       | 58   | 91       | 66   | 99      | 74   | 107     | 84   | 115     | 100  |
|  | 1.5 | 50                             | 34   | 50       | 34   | 50       | 34   | 58       | 42   | 66       | 50   | 74      | 58   | 82      | 68   | 90      | 84   |
|  | 1.0 | 0                              | 0    | 0        | 0    | 0        | 0    | 8        | 8    | 16       | 16   | 24      | 24   | 32      | 34   | 40      | 50   |
|  | 0.9 | 0                              | -4   | 0        | -4   | 0        | -4   | 8        | 4    | 16       | 12   | 24      | 20   | 32      | 30   | 40      | 46   |
|  | 0.8 | 0                              | -10  | 0        | -10  | 0        | -10  | 8        | -2   | 16       | 6    | 24      | 14   | 32      | 24   | 40      | 40   |
|  | 0.7 | 0                              | -16  | 0        | -16  | 0        | -16  | 8        | -8   | 16       | 0    | 24      | 8    | 32      | 18   | 40      | 34   |
|  | 0.6 | -1                             | -26  | -1       | -26  | -1       | -26  | 7        | -18  | 15       | -10  | 23      | -2   | 31      | 8    | 39      | 24   |
|  | 0.5 | -10                            | -40  | -10      | -40  | -10      | -40  | -2       | -32  | 6        | -24  | 14      | -16  | 22      | -6   | 30      | 10   |
|  | 0.4 | -25                            | -60  | -25      | -60  | -25      | -60  | -17      | -52  | -9       | -44  | -1      | -36  | 7       | -26  | 15      | -10  |

[ Table 54 ] Derating values DDR3-1866/2133 tIS/tIH-AC/DC based Alternate AC135 Threshold

| ΔtIS, ΔtIH Derating [ps] AC/DC based<br>Alternate AC125 Threshold -> $V_{IH}(AC) = V_{REF}(DC) + 135mV$ , $V_{IL}(AC) = V_{REF}(DC) - 135mV$ |     |                                |      |          |      |          |      |          |      |          |      |         |      |         |      |         |      |
|--|-----|--------------------------------|------|----------|------|----------|------|----------|------|----------|------|---------|------|---------|------|---------|------|
|  |     | CLK,CLK Differential Slew Rate |      |          |      |          |      |          |      |          |      |         |      |         |      |         |      |
|  |     | 4.0 V/ns                       |      | 3.0 V/ns |      | 2.0 V/ns |      | 1.8 V/ns |      | 1.6 V/ns |      | 1.4V/ns |      | 1.2V/ns |      | 1.0V/ns |      |
|  |     | ΔtIS                           | ΔtIH | ΔtIS     | ΔtIH | ΔtIS     | ΔtIH | ΔtIS     | ΔtIH | ΔtIS     | ΔtIH | ΔtIS    | ΔtIH | ΔtIS    | ΔtIH | ΔtIS    | ΔtIH |
| CMD/<br>ADD<br>Slew<br>rate<br>V/ns  | 2.0 | 68                             | 50   | 68       | 50   | 68       | 50   | 76       | 58   | 84       | 66   | 92      | 74   | 100     | 84   | 108     | 100  |
|  | 1.5 | 45                             | 34   | 45       | 34   | 45       | 34   | 53       | 42   | 61       | 50   | 69      | 58   | 77      | 68   | 85      | 84   |
|  | 1.0 | 0                              | 0    | 0        | 0    | 0        | 0    | 8        | 8    | 16       | 16   | 24      | 24   | 32      | 34   | 40      | 50   |
|  | 0.9 | 2                              | -4   | 2        | -4   | 2        | -4   | 10       | 4    | 18       | 12   | 26      | 20   | 34      | 30   | 42      | 46   |
|  | 0.8 | 3                              | -10  | 3        | -10  | 3        | -10  | 11       | -2   | 19       | 6    | 27      | 14   | 35      | 24   | 43      | 40   |
|  | 0.7 | 6                              | -16  | 6        | -16  | 6        | -16  | 14       | -8   | 22       | 0    | 30      | 8    | 38      | 18   | 46      | 34   |
|  | 0.6 | 9                              | -26  | 9        | -26  | 9        | -26  | 17       | -18  | 25       | -10  | 33      | -2   | 41      | 8    | 49      | 24   |
|  | 0.5 | 5                              | -40  | 5        | -40  | 5        | -40  | 13       | -32  | 21       | -24  | 29      | -16  | 37      | -6   | 45      | 10   |
|  | 0.4 | -3                             | -60  | -3       | -60  | -3       | -60  | 6        | -52  | 14       | -44  | 22      | -36  | 30      | -26  | 38      | -10  |



[ Table 55 ] Derating values DDR3-1866/2133 tIS/tIH-AC/DC based - Alternate AC125 Threshold

| $\Delta t_{IS}$ , $\Delta t_{IH}$ Derating [ps] AC/DC based<br>Alternate AC125 Threshold $\rightarrow V_{IH}(AC) = V_{REF}(DC) + 125mV$ , $V_{IL}(AC) = V_{REF}(DC) - 125mV$ |     |                                |                 |                 |                 |                 |                 |                 |                 |                 |                 |                 |                 |                 |                 |                 |                 |
|--|-----|--------------------------------|-----------------|-----------------|-----------------|-----------------|-----------------|-----------------|-----------------|-----------------|-----------------|-----------------|-----------------|-----------------|-----------------|-----------------|-----------------|
|  |     | CLK,CLK Differential Slew Rate |                 |                 |                 |                 |                 |                 |                 |                 |                 |                 |                 |                 |                 |                 |                 |
|  |     | 4.0 V/ns                       |                 | 3.0 V/ns        |                 | 2.0 V/ns        |                 | 1.8 V/ns        |                 | 1.6 V/ns        |                 | 1.4V/ns         |                 | 1.2V/ns         |                 | 1.0V/ns         |                 |
|  |     | $\Delta t_{IS}$                | $\Delta t_{IH}$ | $\Delta t_{IS}$ | $\Delta t_{IH}$ | $\Delta t_{IS}$ | $\Delta t_{IH}$ | $\Delta t_{IS}$ | $\Delta t_{IH}$ | $\Delta t_{IS}$ | $\Delta t_{IH}$ | $\Delta t_{IS}$ | $\Delta t_{IH}$ | $\Delta t_{IS}$ | $\Delta t_{IH}$ | $\Delta t_{IS}$ | $\Delta t_{IH}$ |
| CMD/<br>ADD<br>Slew<br>rate<br>V/ns  | 2.0 | 63                             | 50              | 63              | 50              | 63              | 50              | 71              | 58              | 79              | 66              | 87              | 74              | 95              | 84              | 103             | 100             |
|  | 1.5 | 42                             | 34              | 42              | 34              | 42              | 34              | 50              | 42              | 58              | 50              | 66              | 58              | 74              | 68              | 82              | 84              |
|  | 1.0 | 0                              | 0               | 0               | 0               | 0               | 0               | 8               | 8               | 16              | 16              | 24              | 24              | 32              | 34              | 40              | 50              |
|  | 0.9 | 4                              | -4              | 4               | -4              | 4               | -4              | 12              | 4               | 20              | 12              | 28              | 20              | 36              | 30              | 44              | 46              |
|  | 0.8 | 6                              | -10             | 6               | -10             | 6               | -10             | 14              | -2              | 22              | 6               | 30              | 14              | 38              | 24              | 46              | 40              |
|  | 0.7 | 11                             | -16             | 11              | -16             | 11              | -16             | 19              | -8              | 27              | 0               | 35              | 8               | 43              | 18              | 51              | 34              |
|  | 0.6 | 16                             | -26             | 16              | -26             | 16              | -26             | 24              | -18             | 32              | -10             | 40              | -2              | 48              | 8               | 56              | 24              |
|  | 0.5 | 15                             | -40             | 15              | -40             | 15              | -40             | 23              | -32             | 31              | -24             | 39              | -16             | 47              | -6              | 55              | 10              |
|  | 0.4 | 13                             | -60             | 13              | -60             | 13              | -60             | 21              | -52             | 29              | -44             | 37              | -36             | 45              | -26             | 53              | -10             |

[ Table 56 ] Required time  $t_{VAC}$  above  $V_{IH}(AC)$  (below  $V_{IL}(AC)$ ) for valid ADD/CMD transition

| Slew Rate[V/ns] | DDR3-800/1066/1333/1600 |     |                       |     | DDR3-1866/2133        |     |                       |     |
|-----------------|-------------------------|-----|-----------------------|-----|-----------------------|-----|-----------------------|-----|
|                 | $t_{VAC}$ @175mV [ps]   |     | $t_{VAC}$ @150mV [ps] |     | $t_{VAC}$ @135mV [ps] |     | $t_{VAC}$ @125mV [ps] |     |
|                 | min                     | max | min                   | max | min                   | max | min                   | max |
| >2.0            | 75                      | -   | 175                   | -   | 168                   | -   | 173                   | -   |
| 2.0             | 57                      | -   | 170                   | -   | 168                   | -   | 173                   | -   |
| 1.5             | 50                      | -   | 167                   | -   | 145                   | -   | 152                   | -   |
| 1.0             | 38                      | -   | 130                   | -   | 100                   | -   | 110                   | -   |
| 0.9             | 34                      | -   | 113                   | -   | 85                    | -   | 96                    | -   |
| 0.8             | 29                      | -   | 93                    | -   | 66                    | -   | 79                    | -   |
| 0.7             | 22                      | -   | 66                    | -   | 42                    | -   | 56                    | -   |
| 0.6             | Note                    | -   | 30                    | -   | 10                    | -   | 27                    | -   |
| 0.5             | Note                    | -   | Note                  | -   | Note                  | -   | Note                  | -   |
| < 0.5           | Note                    | -   | Note                  | -   | Note                  | -   | Note                  | -   |

NOTE : Rising input signal shall become equal to or greater than  $V_{IH}(ac)$  level and Falling input signal shall become equal to or less than  $V_{IL}(ac)$  level.

NOTE :Clock and Strobe are drawn on a different time scale.

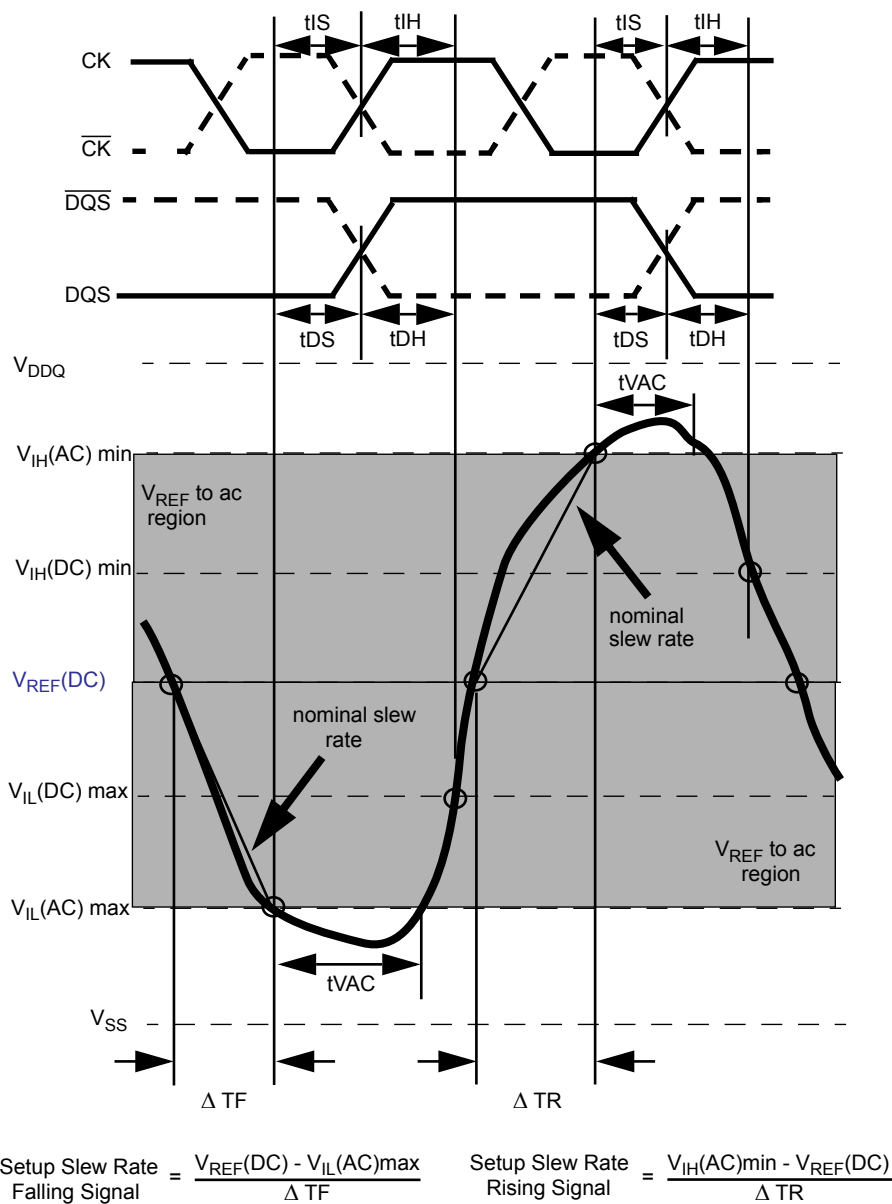


Figure 21. Illustration of nominal slew rate and  $t_{VAC}$  for setup time  $t_{DS}$  (for DQ with respect to strobe) and  $t_{IS}$  (for ADD/CMD with respect to clock).

NOTE :Clock and Strobe are drawn on a different time scale.

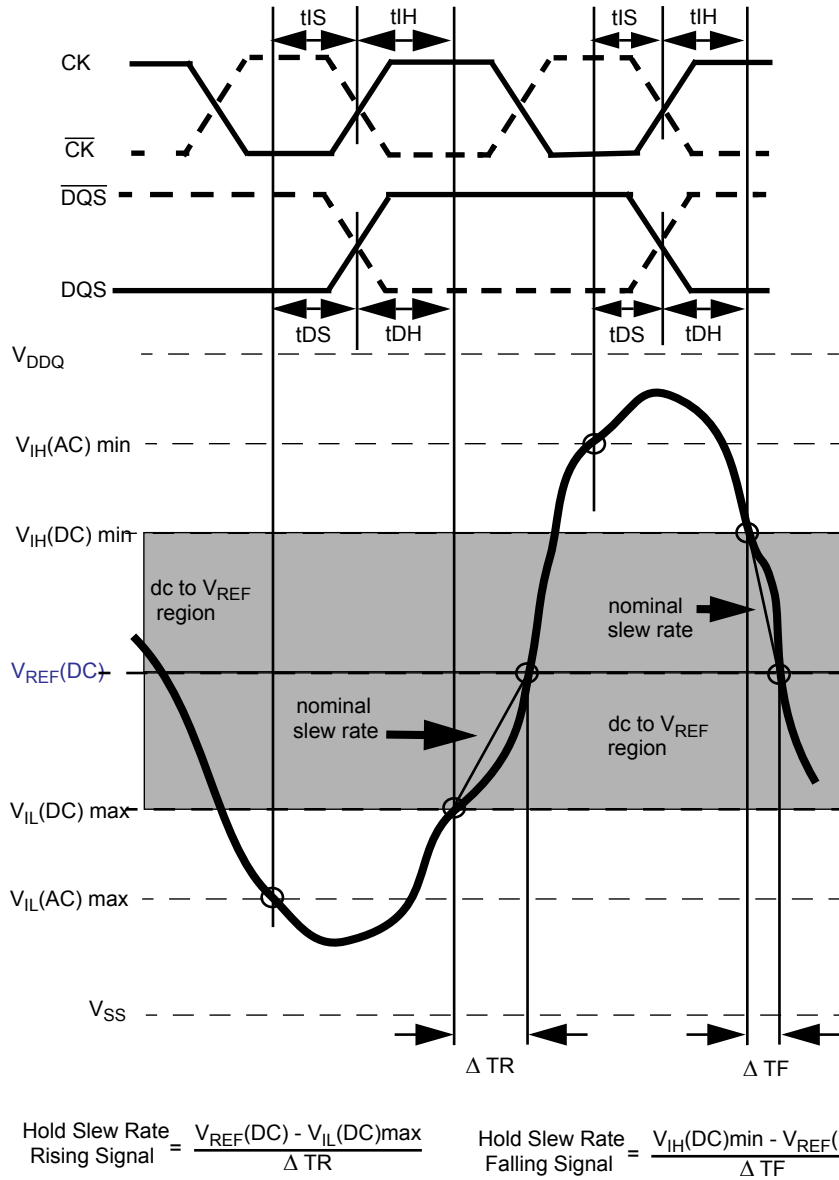


Figure 22. Illustration of nominal slew rate for hold time  $t_{DH}$  (for DQ with respect to strobe) and  $t_{IH}$  (for ADD/CMD with respect to clock).

NOTE : Clock and Strobe are drawn on a different time scale.

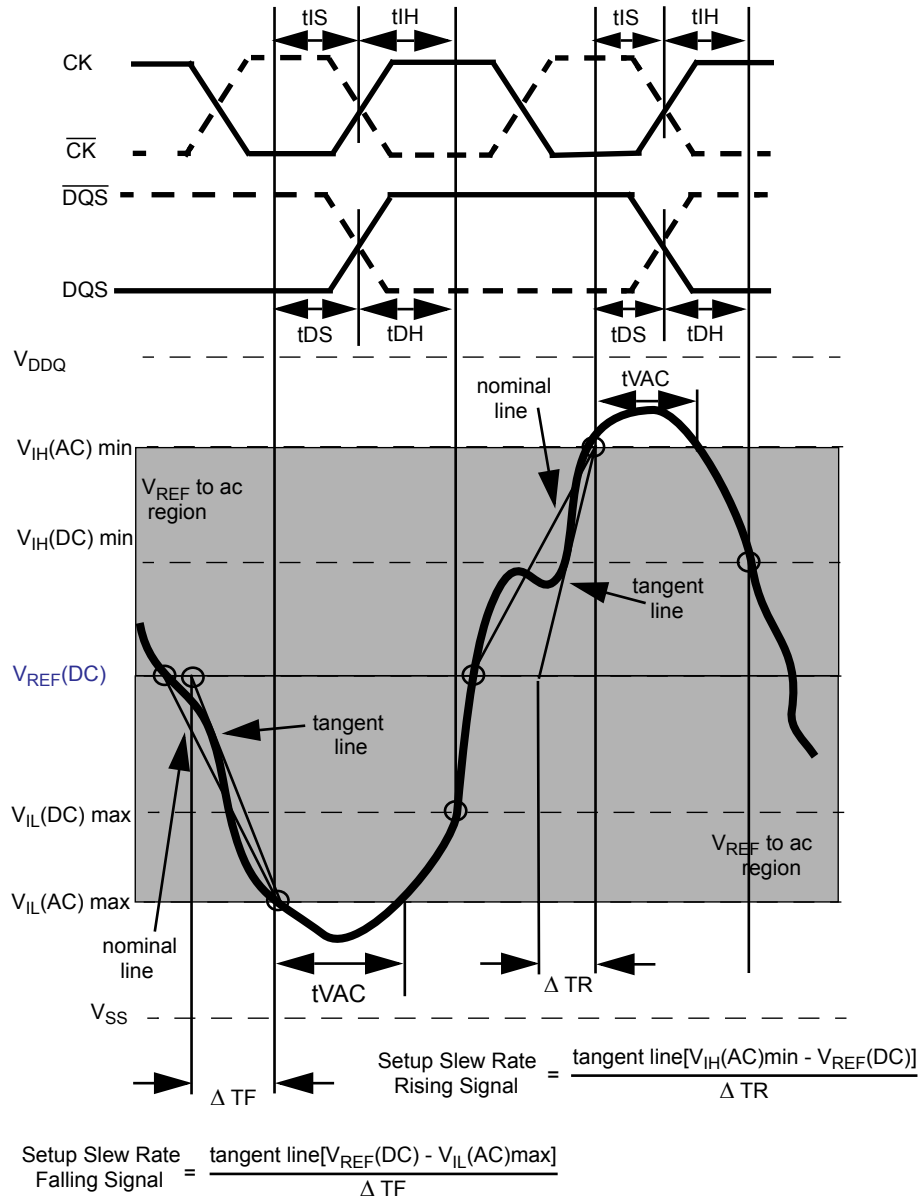


Figure 23. Illustration of tangent line for setup time  $t_{DS}$  (for DQ with respect to strobe) and  $t_{IS}$  (for ADD/CMD with respect to clock)

NOTE :Clock and Strobe are drawn on a different time scale.

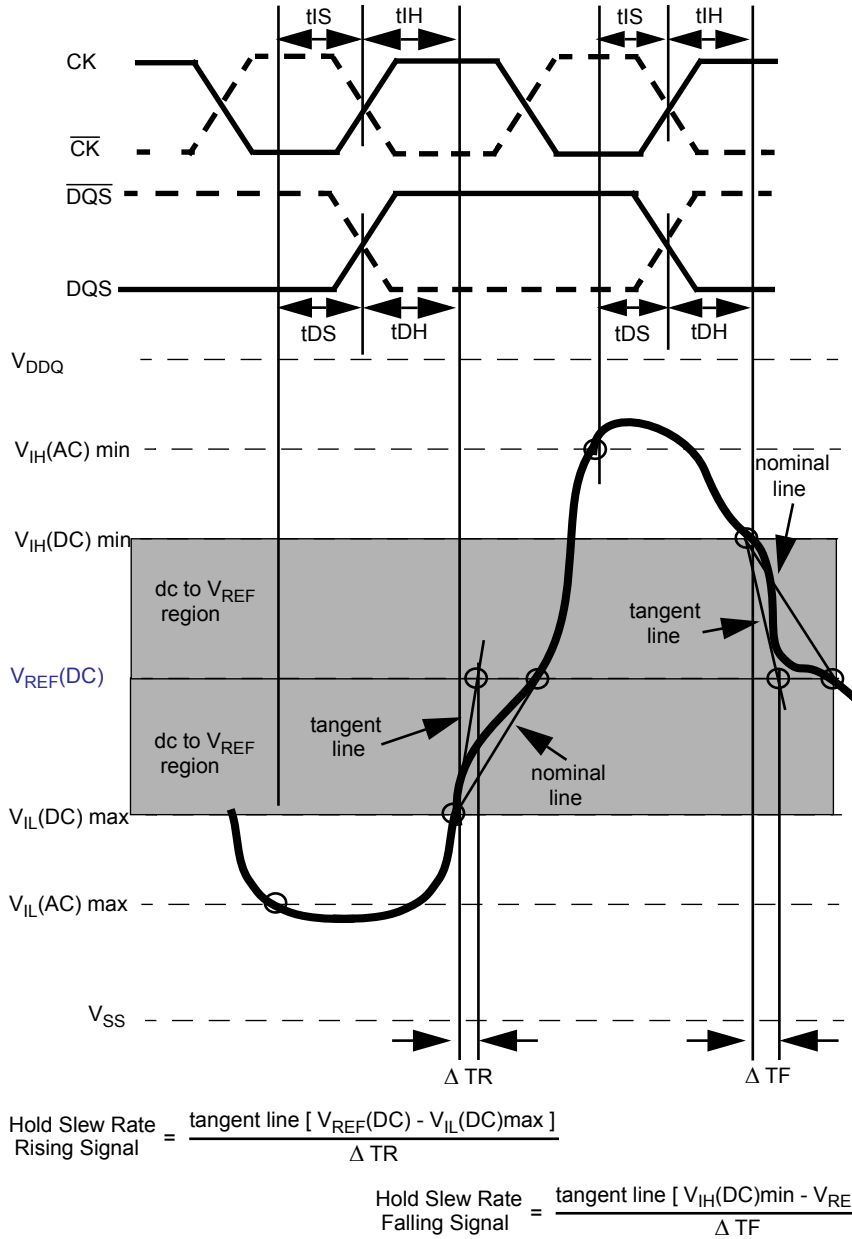


Figure 24. Illustration of tangent line for hold time  $t_{DH}$  (for DQ with respect to strobe) and  $t_{IH}$  (for ADD/CMD with respect to clock)

### 14.4 Data Setup, Hold and Slew Rate Derating :

For all input signals the total tDS (setup time) and tDH (hold time) required is calculated by adding the data sheet tDS(base) and tDH(base) value (see Table 57) to the ΔtDS and ΔtDH (see Table 55) derating value respectively. Example: tDS (total setup time) = tDS(base) + ΔtDS.

Setup (tDS) nominal slew rate for a rising signal is defined as the slew rate between the last crossing of V<sub>REF</sub>(DC) and the first crossing of V<sub>IH</sub>(AC)min. Setup (tDS) nominal slew rate for a falling signal is defined as the slew rate between the last crossing of V<sub>REF</sub>(DC) and the first crossing of V<sub>IL</sub>(AC)max (see Figure 25). If the actual signal is always earlier than the nominal slew rate line between shaded 'V<sub>REF</sub>(DC) to ac region', use nominal slew rate for derating value. If the actual signal is later than the nominal slew rate line anywhere between shaded 'V<sub>REF</sub>(DC) to ac region', the slew rate of a tangent line to the actual signal from the ac level to dc level is used for derating value (see Figure 27).

Hold (tDH) nominal slew rate for a rising signal is defined as the slew rate between the last crossing of V<sub>IL</sub>(DC)max and the first crossing of V<sub>REF</sub>(DC). Hold (tDH) nominal slew rate for a falling signal is defined as the slew rate between the last crossing of V<sub>IH</sub>(DC)min and the first crossing of V<sub>REF</sub>(DC) (see Figure ). If the actual signal is always later than the nominal slew rate line between shaded 'dc level to V<sub>REF</sub>(DC) region', use nominal slew rate for derating value. If the actual signal is earlier than the nominal slew rate line anywhere between shaded 'dc to V<sub>REF</sub>(DC) region', the slew rate of a tangent line to the actual signal from the dc level to V<sub>REF</sub>(DC) level is used for derating value (see Figure 28).

For a valid transition the input signal has to remain above/below V<sub>IH/IL</sub>(AC) for some time tVAC (see Table 56).

Although for slow slew rates the total setup time might be negative (i.e. a valid input signal will not have reached V<sub>IH/IL</sub>(AC) at the time of the rising clock transition) a valid input signal is still required to complete the transition and reach V<sub>IH/IL</sub>(AC).

For slew rates in between the values listed in the tables the derating values may be obtained by linear interpolation. These values are typically not subject to production test. They are verified by design and characterization.

[ Table 57 ] Data Setup and Hold Base-Values

| [ps]            | reference                        | DDR3-800 | DDR3-1066 | DDR3-1333 | DDR3-1600 | DDR3-1866 | DDR3-2133 | NOTE |
|-----------------|----------------------------------|----------|-----------|-----------|-----------|-----------|-----------|------|
| tDS(base) AC175 | V <sub>IH/IL</sub> (AC) SR=1V/ns | 75       | 25        | -         | -         | -         | -         | 2    |
| tDS(base) AC150 | V <sub>IH/IL</sub> (AC) SR=1V/ns | 125      | 75        | 30        | 10        | -         | -         | 2    |
| tDS(base) AC135 | V <sub>IH/IL</sub> (AC) SR=1V/ns | 165      | 115       | 60        | 40        | -         | -         | 2,3  |
| tDS(base) AC135 | V <sub>IH/IL</sub> (AC) SR=2V/ns | -        | -         | -         | -         | 68        | 53        | 1    |
| tDH(base) DC100 | V <sub>IH/IL</sub> (DC) SR=1V/ns | 150      | 100       | 65        | 45        | -         | -         | 2    |
| tDH(base) DC100 | V <sub>IH/IL</sub> (DC) SR=2V/ns | -        | -         | -         | -         | 70        | 55        | 1    |

NOTE :  
 1. AC/DC referenced for 2V/ns DQ-slew rate and 4V/ns DQS slew rate  
 2. AC/DC referenced for 1V/ns DQ-slew rate and 2V/ns DQS slew rate  
 3. Optional in DDR3 SDRAM

[ Table 58 ] Derating values DDR3-800/1066 tDS/tDH - (AC175)

| ΔtDS, ΔtDH Derating in [ps] AC/DC based <sup>1</sup> |                   |                                |      |          |      |          |      |          |      |          |      |         |      |         |      |         |      |    |
|--|-------------------|--------------------------------|------|----------|------|----------|------|----------|------|----------|------|---------|------|---------|------|---------|------|----|
|  |                   | DQS,DQS Differential Slew Rate |      |          |      |          |      |          |      |          |      |         |      |         |      |         |      |    |
|  |                   | 4.0 V/ns                       |      | 3.0 V/ns |      | 2.0 V/ns |      | 1.8 V/ns |      | 1.6 V/ns |      | 1.4V/ns |      | 1.2V/ns |      | 1.0V/ns |      |    |
|  |                   | ΔtDS                           | ΔtDH | ΔtDS     | ΔtDH | ΔtDS     | ΔtDH | ΔtDS     | ΔtDH | ΔtDS     | ΔtDH | ΔtDS    | ΔtDH | ΔtDS    | ΔtDH | ΔtDS    | ΔtDH |    |
| DDR3 - 800/ 1066                                     | DQ Slew rate V/ns | 2.0                            | 88   | 50       | 88   | 50       | 88   | 50       | -    | -        | -    | -       | -    | -       | -    | -       | -    | -  |
|  |                   | 1.5                            | 59   | 34       | 59   | 34       | 59   | 34       | 67   | 42       | -    | -       | -    | -       | -    | -       | -    | -  |
|  |                   | 1.0                            | 0    | 0        | 0    | 0        | 0    | 0        | 8    | 8        | 16   | 16      | -    | -       | -    | -       | -    | -  |
|  |                   | 0.9                            | -    | -        | -2   | -4       | -2   | -4       | 6    | 4        | 14   | 12      | 22   | 20      | -    | -       | -    | -  |
|  |                   | 0.8                            | -    | -        | -    | -        | -6   | -10      | 2    | -2       | 10   | 6       | 18   | 14      | 26   | 24      | -    | -  |
|  |                   | 0.7                            | -    | -        | -    | -        | -    | -        | -3   | -8       | 5    | 0       | 13   | 8       | 21   | 18      | 29   | 34 |
|  |                   | 0.6                            | -    | -        | -    | -        | -    | -        | -    | -        | -1   | -10     | 7    | -2      | 15   | 8       | 23   | 24 |
|  |                   | 0.5                            | -    | -        | -    | -        | -    | -        | -    | -        | -    | -       | -11  | -16     | -2   | -6      | 6    | 10 |
| 0.4  | -                 | -                              | -    | -        | -    | -        | -    | -        | -    | -        | -    | -       | -30  | -26     | -22  | -10     |      |    |

NOTE : 1. Cell contents shaded in red are defined as 'not supported'.

[ Table 59 ] Derating values for DDR3-800/1066/1333/1600 tDS/tDH - (AC150)

| ΔtDS, ΔtDH Derating in [ps] AC/DC based <sup>1</sup> |     |                                |      |          |      |          |      |          |      |          |      |         |      |         |      |         |      |
|--|-----|--------------------------------|------|----------|------|----------|------|----------|------|----------|------|---------|------|---------|------|---------|------|
|  |     | DQS,DQS Differential Slew Rate |      |          |      |          |      |          |      |          |      |         |      |         |      |         |      |
|  |     | 4.0 V/ns                       |      | 3.0 V/ns |      | 2.0 V/ns |      | 1.8 V/ns |      | 1.6 V/ns |      | 1.4V/ns |      | 1.2V/ns |      | 1.0V/ns |      |
|  |     | ΔtDS                           | ΔtDH | ΔtDS     | ΔtDH | ΔtDS     | ΔtDH | ΔtDS     | ΔtDH | ΔtDS     | ΔtDH | ΔtDS    | ΔtDH | ΔtDS    | ΔtDH | ΔtDS    | ΔtDH |
| DQ Slew rate V/ns                                    | 2.0 | 75                             | 50   | 75       | 50   | 75       | 50   | -        | -    | -        | -    | -       | -    | -       | -    | -       | -    |
|  | 1.5 | 50                             | 34   | 50       | 34   | 50       | 34   | 58       | 42   | -        | -    | -       | -    | -       | -    | -       | -    |
|  | 1.0 | 0                              | 0    | 0        | 0    | 0        | 0    | 8        | 8    | 16       | 16   | -       | -    | -       | -    | -       | -    |
|  | 0.9 | -                              | -    | 0        | -4   | 0        | -4   | 8        | 4    | 16       | 12   | 24      | 20   | -       | -    | -       | -    |
|  | 0.8 | -                              | -    | -        | -    | 0        | -10  | 8        | -2   | 16       | 6    | 24      | 14   | 32      | 24   | -       | -    |
|  | 0.7 | -                              | -    | -        | -    | -        | -    | 8        | -8   | 16       | 0    | 24      | 8    | 32      | 18   | 40      | 34   |
|  | 0.6 | -                              | -    | -        | -    | -        | -    | -        | -    | 15       | -10  | 23      | -2   | 31      | 8    | 39      | 24   |
|  | 0.5 | -                              | -    | -        | -    | -        | -    | -        | -    | -        | -    | 14      | -16  | 22      | -6   | 30      | 10   |
| 0.4  | -   | -                              | -    | -        | -    | -        | -    | -        | -    | -        | -    | -       | 7    | -26     | 15   | -10     |      |

NOTE : 1. Cell contents shaded in red are defined as 'not supported'.

[ Table 60 ] Derating values for DDR3-1866/2133 tDS/tDH - (AC135)

|                   |              | $\Delta tDS, \Delta tDH$ Derating in [ps] AC/DC based <sup>1</sup> |              |              |              |              |              |              |              |              |              |              |              |              |              |              |              |              |              |              |              |              |              |              |              |
|-------------------|--------------|--|--------------|--------------|--------------|--------------|--------------|--------------|--------------|--------------|--------------|--------------|--------------|--------------|--------------|--------------|--------------|--------------|--------------|--------------|--------------|--------------|--------------|--------------|--------------|
|                   |              | DQS,DQS Differential Slew Rate                                     |              |              |              |              |              |              |              |              |              |              |              |              |              |              |              |              |              |              |              |              |              |              |              |
|                   |              | 8.0 V/ns   |              | 7.0 V/ns     |              | 6.0 V/ns     |              | 5.0 V/ns     |              | 4.0 V/ns     |              | 3.0V/ns      |              | 2.0V/ns      |              | 1.8V/ns      |              | 1.6 V/ns     |              | 1.4 V/ns     |              | 1.2 V/ns     |              | 1.0 V/ns     |              |
| $\Delta tDS$      | $\Delta tDH$ | $\Delta tDS$   | $\Delta tDH$ | $\Delta tDS$ | $\Delta tDH$ | $\Delta tDS$ | $\Delta tDH$ | $\Delta tDS$ | $\Delta tDH$ | $\Delta tDS$ | $\Delta tDH$ | $\Delta tDS$ | $\Delta tDH$ | $\Delta tDS$ | $\Delta tDH$ | $\Delta tDS$ | $\Delta tDH$ | $\Delta tDS$ | $\Delta tDH$ | $\Delta tDS$ | $\Delta tDH$ | $\Delta tDS$ | $\Delta tDH$ | $\Delta tDS$ | $\Delta tDH$ |
| DQ Slew rate V/ns | 4.0          | 34   | 25           | 34           | 25           | 34           | 25           |              |              |              |              |              |              |              |              |              |              |              |              |              |              |              |              |              |              |
|                   | 3.5          | 29   | 21           | 29           | 21           | 29           | 21           | 29           | 21           |              |              |              |              |              |              |              |              |              |              |              |              |              |              |              |              |
|                   | 3.0          | 23   | 17           | 23           | 17           | 23           | 17           | 23           | 17           | 23           | 17           |              |              |              |              |              |              |              |              |              |              |              |              |              |              |
|                   | 2.5          |  |              | 14           | 10           | 14           | 10           | 14           | 10           | 14           | 10           | 14           | 10           |              |              |              |              |              |              |              |              |              |              |              |              |
|                   | 2.0          |  |              |              |              | 0            | 0            | 0            | 0            | 0            | 0            | 0            | 0            | 0            | 0            |              |              |              |              |              |              |              |              |              |              |
|                   | 1.5          |  |              |              |              |              |              | -23          | -17          | -23          | -17          | -23          | -17          | -23          | -17          | -15          | -9           |              |              |              |              |              |              |              |              |
|                   | 1.0          |  |              |              |              |              |              |              |              | -68          | -50          | -68          | -50          | -68          | -50          | -60          | -42          | -52          | -34          |              |              |              |              |              |              |
|                   | 0.9          |  |              |              |              |              |              |              |              |              |              | -66          | -54          | -66          | -54          | -58          | -46          | -50          | -38          | -42          | -30          |              |              |              |              |
|                   | 0.8          |  |              |              |              |              |              |              |              |              |              |              |              | -64          | -60          | -56          | -52          | -48          | -44          | -40          | -36          | -32          | -26          |              |              |
|                   | 0.7          |  |              |              |              |              |              |              |              |              |              |              |              |              |              | -53          | -59          | -45          | -51          | -37          | -43          | -29          | -33          | -21          | -17          |
|                   | 0.6          |  |              |              |              |              |              |              |              |              |              |              |              |              |              |              |              | -43          | -61          | -35          | -53          | -27          | -43          | -19          | -27          |
| 0.5               |              |  |              |              |              |              |              |              |              |              |              |              |              |              |              |              |              |              | -39          | -66          | -31          | -56          | -23          | -40          |              |
| 0.4               |              |  |              |              |              |              |              |              |              |              |              |              |              |              |              |              |              |              |              |              | -38          | -76          | -30          | -60          |              |

NOTE : 1. Cell contents shaded in red are defined as 'not supported'.

[ Table 61 ] Derating values for DDR3-800/1066/1333/1600 tDS/tDH - (AC135)

|                   |              | $\Delta tDS, \Delta tDH$ Derating in [ps] AC/DC based <sup>1</sup> |              |              |              |              |              |              |              |              |              |              |              |              |              |         |    |
|-------------------|--------------|--|--------------|--------------|--------------|--------------|--------------|--------------|--------------|--------------|--------------|--------------|--------------|--------------|--------------|---------|----|
|                   |              | DQS,DQS Differential Slew Rate                                     |              |              |              |              |              |              |              |              |              |              |              |              |              |         |    |
|                   |              | 4.0 V/ns   |              | 3.0 V/ns     |              | 2.0 V/ns     |              | 1.8 V/ns     |              | 1.6 V/ns     |              | 1.4V/ns      |              | 1.2V/ns      |              | 1.0V/ns |    |
| $\Delta tDS$      | $\Delta tDH$ | $\Delta tDS$   | $\Delta tDH$ | $\Delta tDS$ | $\Delta tDH$ | $\Delta tDS$ | $\Delta tDH$ | $\Delta tDS$ | $\Delta tDH$ | $\Delta tDS$ | $\Delta tDH$ | $\Delta tDS$ | $\Delta tDH$ | $\Delta tDS$ | $\Delta tDH$ |         |    |
| DQ Slew rate V/ns | 2.0          | 68   | 50           | 68           | 50           | 68           | 50           | -            | -            | -            | -            | -            | -            | -            | -            |         |    |
|                   | 1.5          | 45   | 34           | 45           | 34           | 45           | 34           | 53           | 42           | -            | -            | -            | -            | -            | -            |         |    |
|                   | 1.0          | 0  | 0            | 0            | 0            | 0            | 0            | 8            | 8            | 16           | 16           | -            | -            | -            | -            |         |    |
|                   | 0.9          | -  | -            | 2            | -4           | 2            | -4           | 10           | 4            | 18           | 12           | 26           | 20           | -            | -            |         |    |
|                   | 0.8          | -  | -            | -            | -            | 3            | -10          | 11           | -2           | 19           | 6            | 27           | 14           | 35           | 24           |         |    |
|                   | 0.7          | -  | -            | -            | -            | -            | -            | 14           | -8           | 22           | 0            | 30           | 8            | 38           | 18           | 46      | 34 |
|                   | 0.6          | -  | -            | -            | -            | -            | -            | -            | -            | 25           | -10          | 33           | -2           | 41           | 8            | 49      | 24 |
|                   | 0.5          | -  | -            | -            | -            | -            | -            | -            | -            | -            | -            | 29           | -16          | 37           | -6           | 45      | 10 |
| 0.4               | -            | -  | -            | -            | -            | -            | -            | -            | -            | -            | -            | -            | 30           | -26          | 38           | -10     |    |

NOTE : 1. Cell contents shaded in red are defined as 'not supported'.

[ Table 62 ] Required time  $t_{VAC}$  above  $V_{IH}(AC)$  (below  $V_{IL}(AC)$ ) for valid DQ transition

| Slew Rate[V/ns] | DDR3-800/1066 (AC175) |     | DDR3-800/1066/1333/1600 (AC150) |     | DDR3-800/1066/1333/1600 (AC135) |     | DDR3-1866 (AC135) |     | DDR3-2133 (AC135) |     |
|-----------------|-----------------------|-----|---------------------------------|-----|---------------------------------|-----|-------------------|-----|-------------------|-----|
|                 | $t_{VAC}[ps]$         |     | $t_{VAC}[ps]$                   |     | $t_{VAC}[ps]$                   |     | $t_{VAC}[ps]$     |     | $t_{VAC}[ps]$     |     |
|                 | min                   | max | min                             | max | min                             | max | min               | max | min               | max |
| >2.0            | 75                    | -   | 105                             | -   | 113                             | -   | 93                | -   | 73                | -   |
| 2.0             | 57                    | -   | 105                             | -   | 113                             | -   | 93                | -   | 73                | -   |
| 1.5             | 50                    | -   | 80                              | -   | 90                              | -   | 70                | -   | 50                | -   |
| 1.0             | 38                    | -   | 30                              | -   | 45                              | -   | 25                | -   | 5                 | -   |
| 0.9             | 34                    | -   | 13                              | -   | 30                              | -   | Note              | -   | Note              | -   |
| 0.8             | 29                    | -   | Note                            | -   | 11                              | -   | Note              | -   | Note              | -   |
| 0.7             | Note                  | -   | Note                            | -   | Note                            | -   | -                 | -   | -                 | -   |
| 0.6             | Note                  | -   | Note                            | -   | Note                            | -   | -                 | -   | -                 | -   |
| 0.5             | Note                  | -   | Note                            | -   | Note                            | -   | -                 | -   | -                 | -   |
| <0.5            | Note                  | -   | Note                            | -   | Note                            | -   | -                 | -   | -                 | -   |

NOTE : Rising input signal shall become equal to or greater than  $V_{IH}(ac)$  level and Falling input signal shall become equal to or less than  $V_{IL}(ac)$  level.

NOTE :Clock and Strobe are drawn on a different time scale.

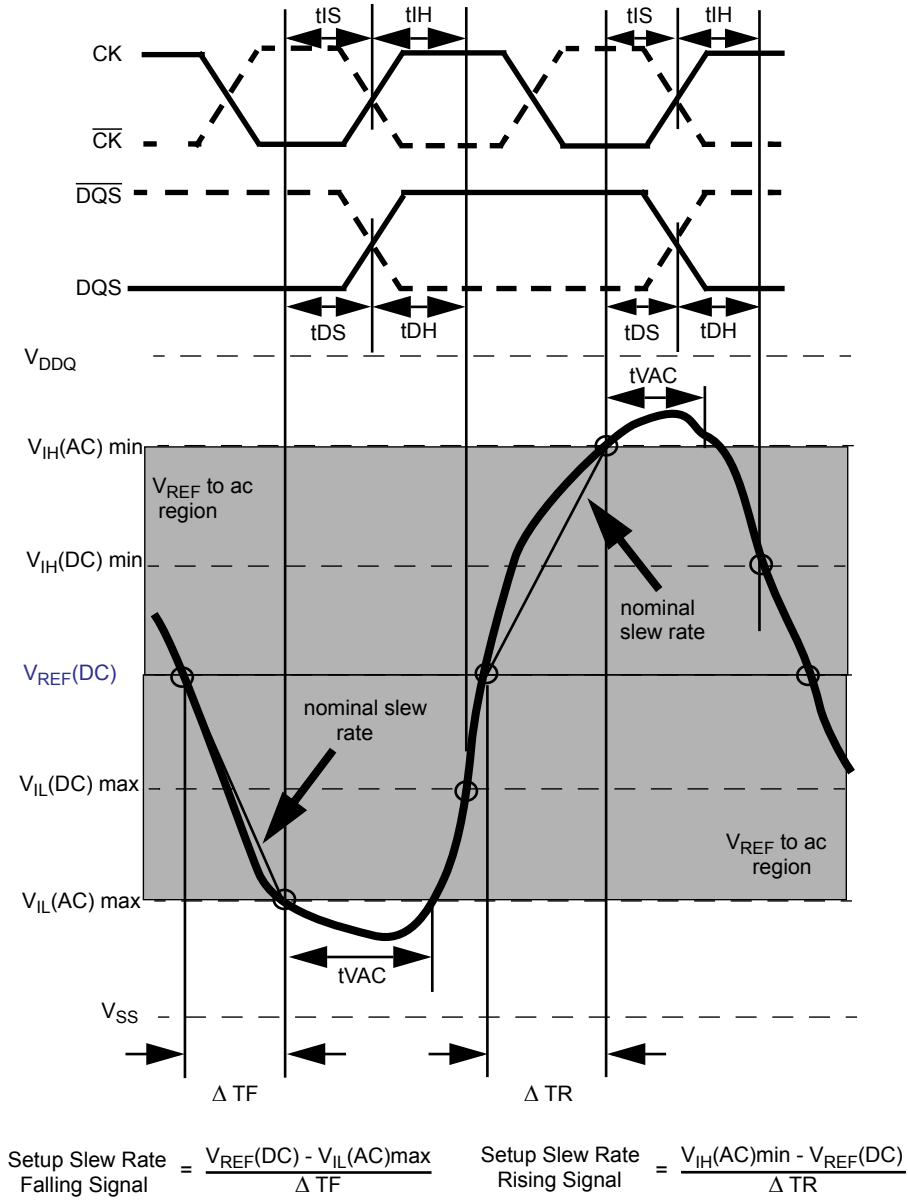


Figure 25. Illustration of nominal slew rate and t<sub>VAC</sub> for setup time t<sub>DS</sub> (for DQ with respect to strobe) and t<sub>IS</sub> (for ADD/CMD with respect to clock).



NOTE :Clock and Strobe are drawn on a different time scale.

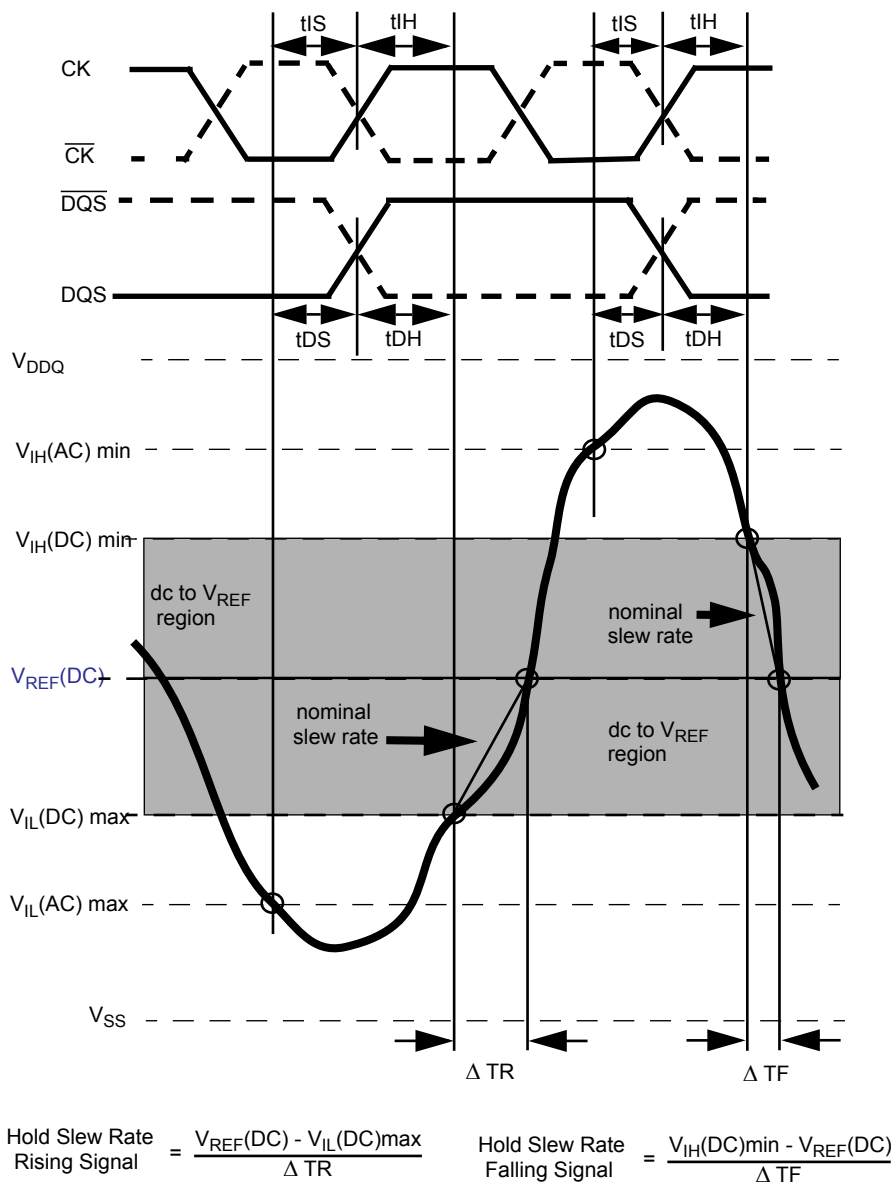


Figure 26. Illustration of nominal slew rate for hold time  $t_{DH}$  (for DQ with respect to strobe) and  $t_{IH}$  (for ADD/CMD with respect to clock).

NOTE :Clock and Strobe are drawn on a different time scale.

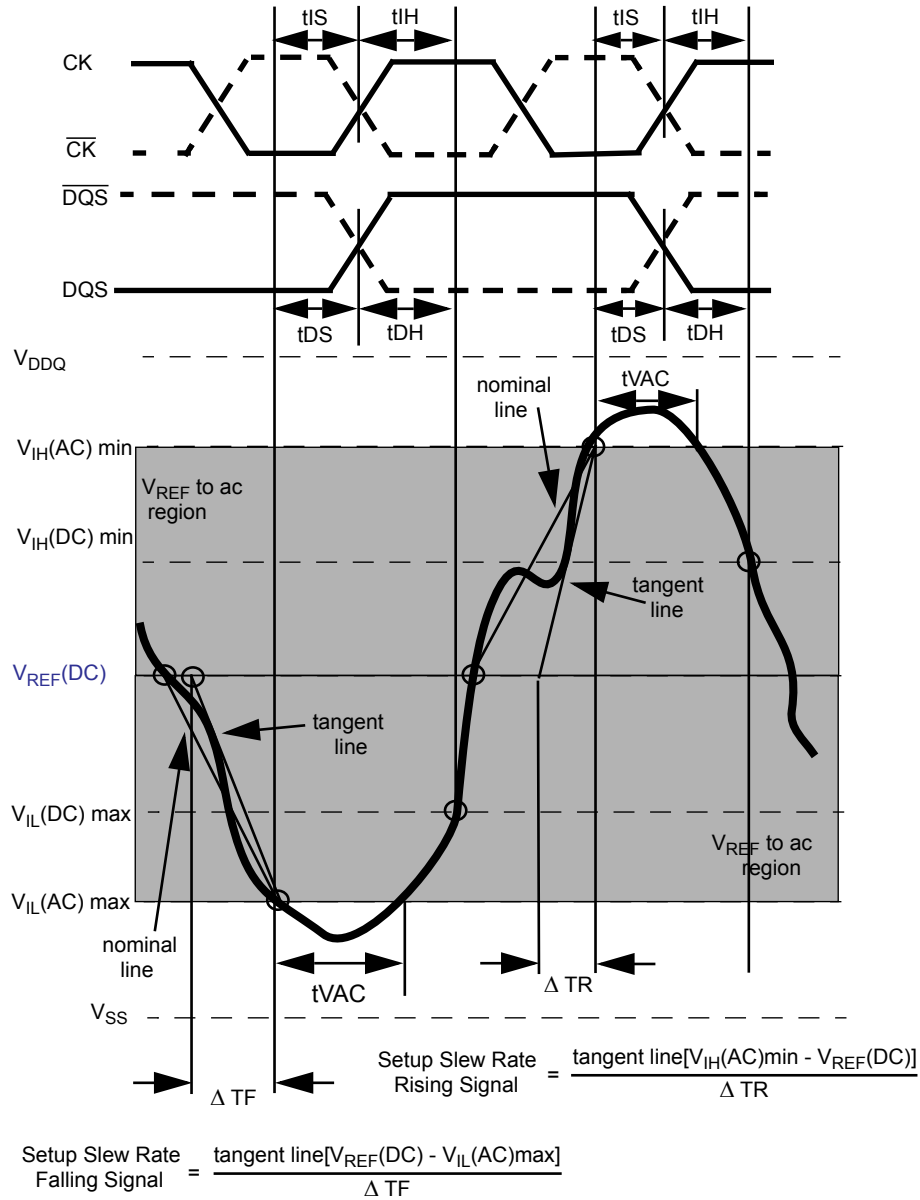


Figure 27. Illustration of tangent line for setup time t<sub>DS</sub> (for DQ with respect to strobe) and t<sub>IS</sub> (for ADD/CMD with respect to clock)

NOTE :Clock and Strobe are drawn on a different time scale.

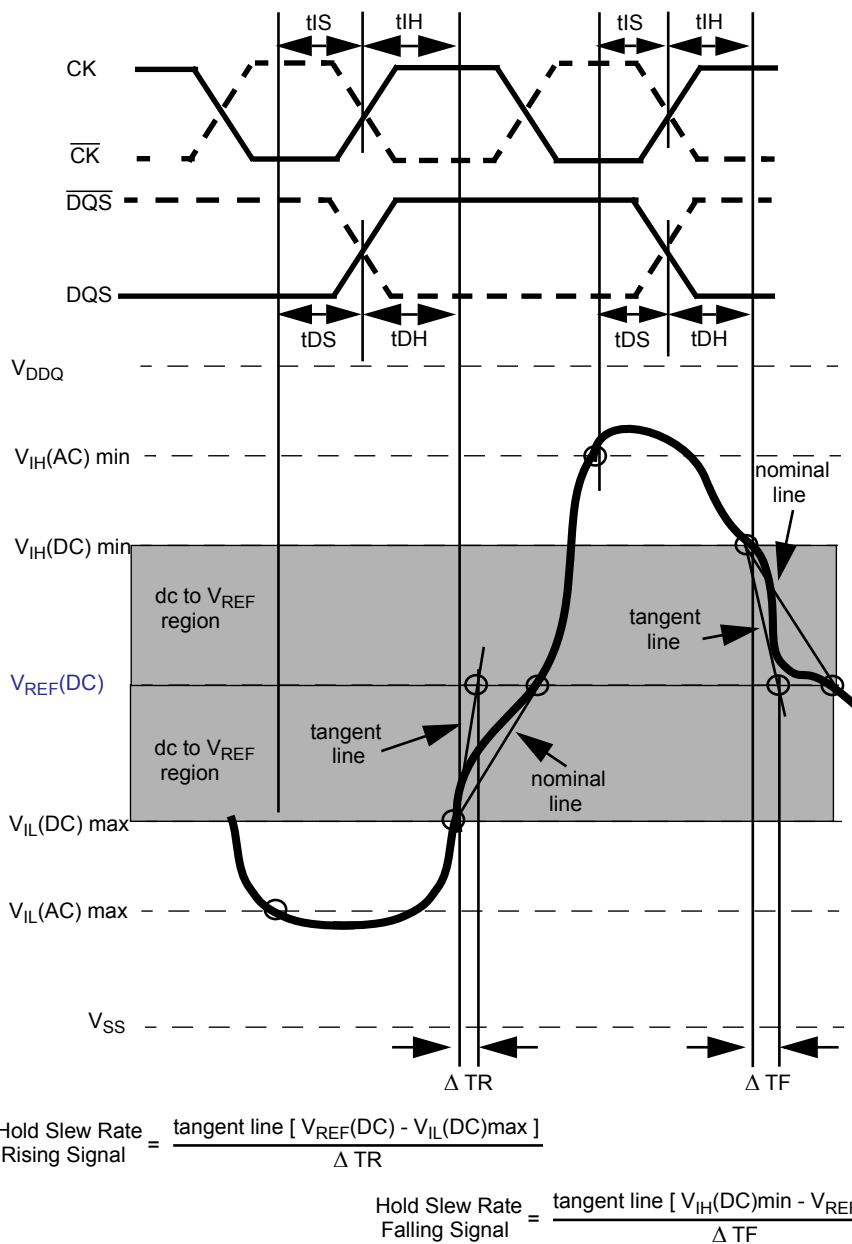


Figure 28. Illustration of tangent line for hold time  $t_{DH}$  (for DQ with respect to strobe) and  $t_{IH}$  (for ADD/CMD with respect to clock)