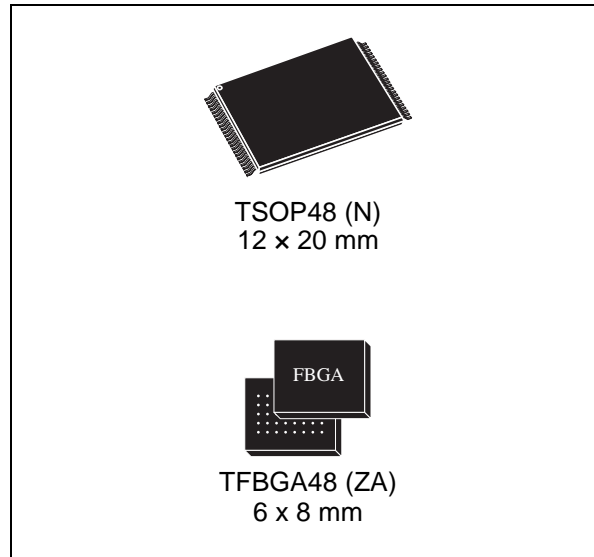


## Features

- Supply voltage
  - $V_{CC} = 2.7\text{ V}$  to  $3.6\text{ V}$  for program, erase and read
- Access time: 55 ns, 70 ns
- Programming time
  - $10\ \mu\text{s}$  per byte/word typical
- 19 memory blocks (M29W800F)
  - 1 boot block (top or bottom location)
  - 3 parameter blocks
  - 15 main blocks
- 11 memory blocks (M29W400F)
  - 1 boot block (top or bottom location)
  - 3 parameter blocks
  - 7 main blocks
- Program/erase controller
  - Embedded byte/word program algorithms
- Erase suspend and resume modes
  - Read and program another block during erase suspend
- Unlock bypass program command
  - Faster production/batch programming
- Temporary block unprotection mode
- Common Flash interface
  - 64-bit security code
- Low power consumption
  - Standby and automatic standby
- 100,000 program/erase cycles per block
- Electronic signature
  - Manufacturer code: 0020h
  - Top device code M29W800FT: 22D7h;  
M29W400FT: 00EEh
  - Bottom device code M29W800FB: 225Bh;  
M29W400FB: 00EFh
- RoHS packages available



- Automotive device grade 3: Automotive device grade

# Contents

<b>1</b>	<b>Description</b> .....	<b>6</b>
<b>2</b>	<b>Signal descriptions</b> .....	<b>14</b>
2.1	Address inputs (A0-A18) .....	14
2.2	Data inputs/outputs (DQ0-DQ7) .....	14
2.3	Data inputs/outputs (DQ8-DQ14) .....	14
2.4	Data input/output or address input (DQ15A-1) .....	14
2.5	Chip Enable ( $\bar{E}$ ) .....	14
2.6	Output Enable ( $\bar{G}$ ) .....	14
2.7	Write Enable ( $\bar{W}$ ) .....	15
2.8	Reset/Block Temporary Unprotect ( $\bar{RP}$ ) .....	15
2.9	Ready/Busy Output ( $\bar{RB}$ ) .....	15
2.10	Byte/Word Organization Select ( $\bar{BYTE}$ ) .....	15
2.11	$V_{CC}$ supply voltage .....	16
2.12	$V_{SS}$ ground .....	16
<b>3</b>	<b>Bus operations</b> .....	<b>17</b>
3.1	Bus read .....	17
3.2	Bus write .....	17
3.3	Output disable .....	17
3.4	Standby .....	17
3.5	Automatic standby .....	17
3.6	Special bus operations .....	18
3.7	Electronic signature .....	18
3.8	Block protection and blocks unprotection .....	18
<b>4</b>	<b>Command interface</b> .....	<b>20</b>
4.1	Read/Reset command .....	20
4.2	Auto Select command .....	20
4.3	Program command .....	21
4.4	Unlock Bypass command .....	21
4.5	Unlock Bypass Program command .....	21

4.6	Unlock Bypass Reset command	21
4.7	Chip Erase command	22
4.8	Block Erase command	22
4.9	Erase Suspend command	23
4.10	Erase Resume command	23
4.11	Read CFI Query command	23
4.12	Block Protect and Chip Unprotect commands	24
<b>5</b>	<b>Status register</b>	<b>27</b>
5.1	Data polling bit (DQ7)	27
5.2	Toggle bit (DQ6)	27
5.3	Error bit (DQ5)	28
5.4	Erase timer bit (DQ3)	28
5.5	Alternative toggle bit (DQ2)	28
<b>6</b>	<b>Maximum rating</b>	<b>31</b>
<b>7</b>	<b>DC and AC parameters</b>	<b>32</b>
<b>8</b>	<b>Package mechanical data</b>	<b>38</b>
<b>9</b>	<b>Ordering information</b>	<b>40</b>
	<b>Appendix A Block address table</b>	<b>42</b>
	<b>Appendix B Common Flash interface (CFI)</b>	<b>45</b>
	<b>Appendix C Block protection</b>	<b>49</b>
	C.1 Programmer technique	49
	C.2 In-system technique	49
<b>10</b>	<b>Revision history</b>	<b>55</b>

## List of tables

Table 1.	Signal names	7
Table 2.	Bus operations, $\overline{\text{BYTE}} = V_{\text{IL}}$	18
Table 3.	Bus operations, $\overline{\text{BYTE}} = V_{\text{IH}}$	19
Table 4.	Commands, 16-bit mode, $\overline{\text{BYTE}} = V_{\text{IH}}$	24
Table 5.	Commands, 8-bit mode, $\overline{\text{BYTE}} = V_{\text{IL}}$	25
Table 6.	Program, erase times and endurance cycles, 400F	25
Table 7.	Program, erase times and endurance cycles, 800F	26
Table 8.	Status register bits	29
Table 9.	Absolute maximum ratings	31
Table 10.	Operating and AC measurement conditions	32
Table 11.	Device capacitance	33
Table 12.	DC characteristics	33
Table 13.	Read AC characteristics	34
Table 14.	Write AC characteristics, write enable controlled	35
Table 15.	Write AC characteristics, chip enable controlled	36
Table 16.	Reset/block temporary unprotect AC characteristics	37
Table 17.	TSOP48 – 48 lead plastic thin small outline, 12 × 20 mm, package mechanical data	38
Table 18.	TFBGA48 6 × 8mm – 6 × 8 active ball array – 0.80 mm pitch, package mechanical data	39
Table 19.	Ordering information scheme	40
Table 20.	Top boot block addresses, M29W800FT	42
Table 21.	Bottom boot block addresses, M29W800FB	43
Table 22.	Top boot block addresses M29W400FT	44
Table 23.	Bottom boot block addresses M29W400FB	44
Table 24.	Query structure overview	45
Table 25.	CFI query identification string	46
Table 26.	CFI query system interface information	46
Table 27.	Device geometry definition	47
Table 28.	Primary algorithm-specific extended query table	48
Table 29.	Security code area	48
Table 30.	Programmer technique bus operations, $\overline{\text{BYTE}} = V_{\text{IH}}$ or $V_{\text{IL}}$	50
Table 31.	Document revision history	55

## List of figures

Figure 1.	Logic diagram . . . . .	6
Figure 2.	TSOP connections, 800FT/B . . . . .	7
Figure 3.	TSOP connections, 400FT/B . . . . .	8
Figure 4.	BGA connections, 400FT/B . . . . .	9
Figure 5.	BGA connections, 800FT/B . . . . .	10
Figure 6.	Block addresses, 800FT/B(x 8) . . . . .	11
Figure 7.	Block addresses, 800FT/B(x 16) . . . . .	12
Figure 8.	Block addresses, 400FT/B(x 8) . . . . .	13
Figure 9.	Block addresses, 400FT/B(x 16) . . . . .	13
Figure 10.	Data polling flowchart . . . . .	29
Figure 11.	Toggle flowchart . . . . .	30
Figure 12.	AC measurement I/O waveform . . . . .	32
Figure 13.	AC measurement load circuit . . . . .	33
Figure 14.	Read mode AC waveforms. . . . .	34
Figure 15.	Write AC waveforms, write enable controlled. . . . .	35
Figure 16.	Write AC waveforms, chip enable controlled . . . . .	36
Figure 17.	Reset/block temporary unprotect AC waveforms . . . . .	37
Figure 18.	TSOP48 – 48 lead plastic thin small outline, 12 x 20 mm, package outline. . . . .	38
Figure 19.	TFBGA48 6x8mm – 6 x 8 ball array - 0.80 mm pitch, bottom view package outline . . . . .	39
Figure 20.	Programmer equipment block protect flowchart . . . . .	51
Figure 21.	Programmer equipment chip unprotect flowchart. . . . .	52
Figure 22.	In-system equipment block protect flowchart . . . . .	53
Figure 23.	In-system equipment chip unprotect flowchart . . . . .	54

## Important Notes and Warnings

Micron Technology, Inc. ("Micron") reserves the right to make changes to information published in this document, including without limitation specifications and product descriptions. This document supersedes and replaces all information supplied prior to the publication hereof. You may not rely on any information set forth in this document if you obtain the product described herein from any unauthorized distributor or other source not authorized by Micron.

**Automotive Applications.** Products are not designed or intended for use in automotive applications unless specifically designated by Micron as automotive-grade by their respective data sheets. Distributor and customer/distributor shall assume the sole risk and liability for and shall indemnify and hold Micron harmless against all claims, costs, damages, and expenses and reasonable attorneys' fees arising out of, directly or indirectly, any claim of product liability, personal injury, death, or property damage resulting directly or indirectly from any use of nonautomotive-grade products in automotive applications. Customer/distributor shall ensure that the terms and conditions of sale between customer/distributor and any customer of distributor/customer (1) state that Micron products are not designed or intended for use in automotive applications unless specifically designated by Micron as automotive-grade by their respective data sheets and (2) require such customer of distributor/customer to indemnify and hold Micron harmless against all claims, costs, damages, and expenses and reasonable attorneys' fees arising out of, directly or indirectly, any claim of product liability, personal injury, death, or property damage resulting from any use of non-automotive-grade products in automotive applications.

**Critical Applications.** Products are not authorized for use in applications in which failure of the Micron component could result, directly or indirectly in death, personal injury, or severe property or environmental damage ("Critical Applications"). Customer must protect against death, personal injury, and severe property and environmental damage by incorporating safety design measures into customer's applications to ensure that failure of the Micron component will not result in such harms. Should customer or distributor purchase, use, or sell any Micron component for any critical application, customer and distributor shall indemnify and hold harmless Micron and its subsidiaries, subcontractors, and affiliates and the directors, officers, and employees of each against all claims, costs, damages, and expenses and reasonable attorneys' fees arising out of, directly or indirectly, any claim of product liability, personal injury, or death arising in any way out of such critical application, whether or not Micron or its subsidiaries, subcontractors, or affiliates were negligent in the design, manufacture, or warning of the Micron product.

**Customer Responsibility.** Customers are responsible for the design, manufacture, and operation of their systems, applications, and products using Micron products. ALL SEMICONDUCTOR PRODUCTS HAVE INHERENT FAILURE RATES AND LIMITED USEFUL LIVES. IT IS THE CUSTOMER'S SOLE RESPONSIBILITY TO DETERMINE WHETHER THE MICRON PRODUCT IS SUITABLE AND FIT FOR THE CUSTOMER'S SYSTEM, APPLICATION, OR PRODUCT. Customers must ensure that adequate design, manufacturing, and operating safeguards are included in customer's applications and products to eliminate the risk that personal injury, death, or severe property or environmental damages will result from failure of any semiconductor component.

**Limited Warranty.** In no event shall Micron be liable for any indirect, incidental, punitive, special or consequential damages (including without limitation lost profits, lost savings, business interruption, costs related to the removal or replacement of any products or rework charges) whether or not such damages are based on tort, warranty, breach of contract or other legal theory, unless explicitly stated in a written agreement executed by Micron's duly authorized representative.

---

# 1 Description

The M29W800FT/B and M29W400FT/B are 8-Mbit (1 Mbit  $\times$  8 or 512 Kbit  $\times$  16) and 4-Mbit (512 Kbit  $\times$  8 or 256 Kbit  $\times$  16) non-volatile memory devices that can be read, erased and reprogrammed. These operations can be performed using a single low voltage (2.7 V to 3.6 V) supply. On power-up the memory defaults to its read mode where it can be read in the same way as a ROM or EPROM.

The memory is divided into blocks that can be erased independently so it is possible to preserve valid data while old data is erased. Each block can be protected independently to prevent accidental Program or Erase commands from modifying the memory. Program and Erase commands are written to the command interface of the memory. An on-chip program/erase controller simplifies the process of programming or erasing the memory by taking care of all of the special operations that are required to update the memory contents.

The end of a program or erase operation can be detected and any error conditions identified. The command set required to control the memory is consistent with JEDEC standards.

The blocks in the memory are asymmetrically arranged, see [Figure 6: Block addresses, 800FT/B\( \$\times\$  8\)](#) and [Figure 7: Block addresses, 800FT/B\( \$\times\$  16\)](#). The first or last 64 Kbytes have been divided into four additional blocks. The 16-Kbyte boot block can be used for small initialization code to start the microprocessor, the two 8-Kbyte parameter blocks can be used for parameter storage and the remaining 32-Kbyte is a small main block where the application may be stored.

Chip Enable, Output Enable and Write Enable signals control the bus operation of the memory. They allow simple connection to most microprocessors, often without additional logic.

The memory is offered in TSOP48 (12  $\times$  20 mm) and TFBGA48 6  $\times$  8 mm (0.8 mm pitch) packages. The memory is supplied with all the bits erased (set to '1').

**Figure 1. Logic diagram**

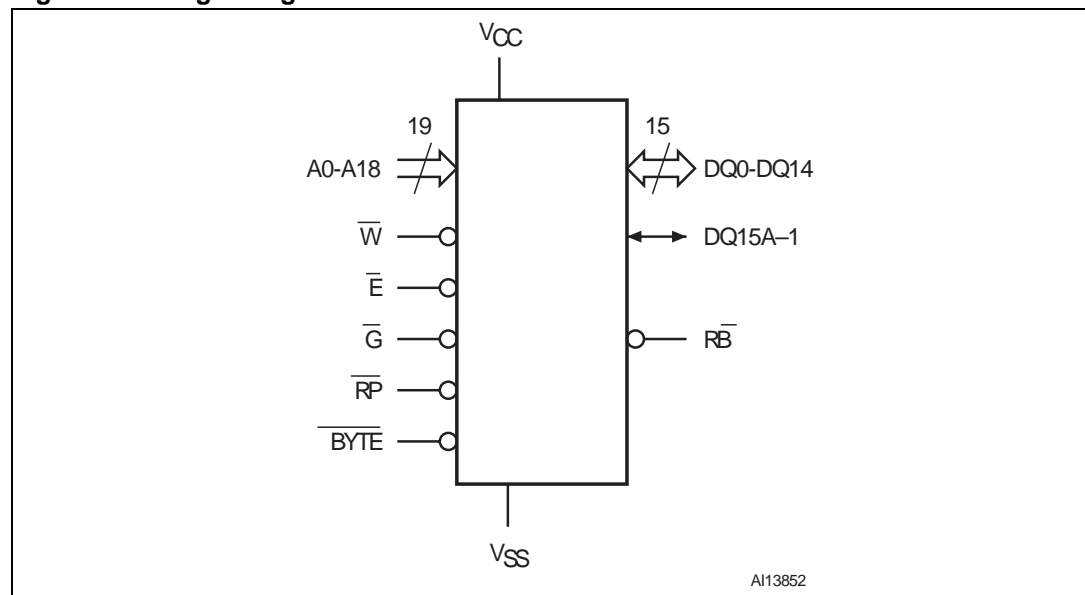






Figure 3. TSOP connections, 400FT/B

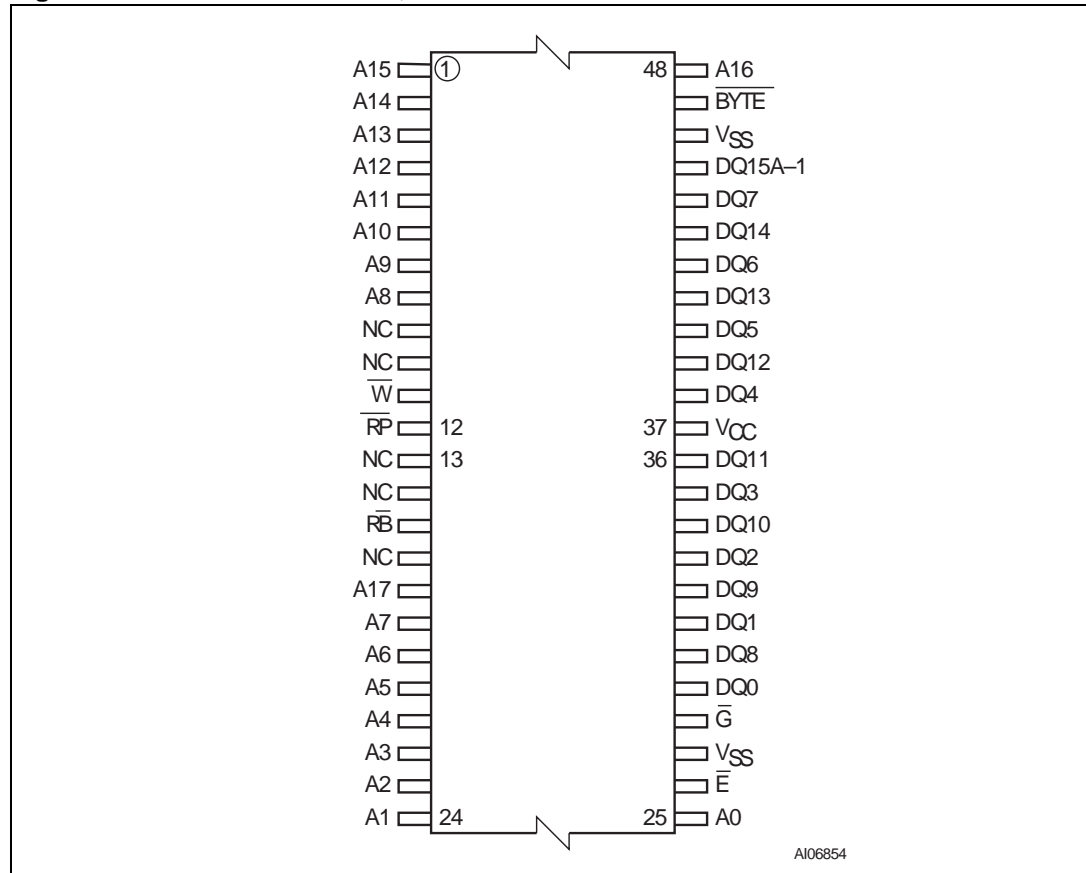


Figure 4. BGA connections, 400FT/B

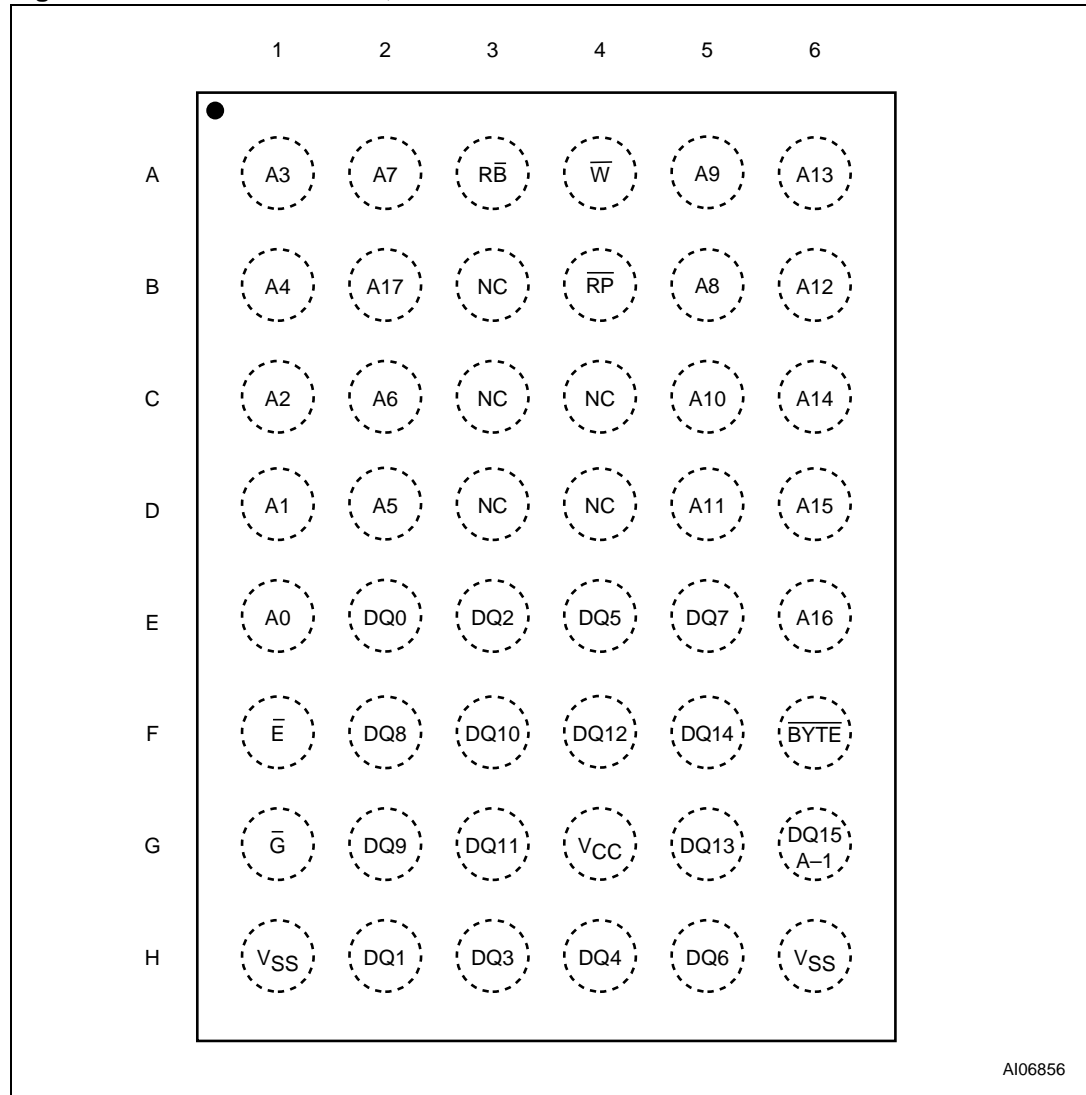
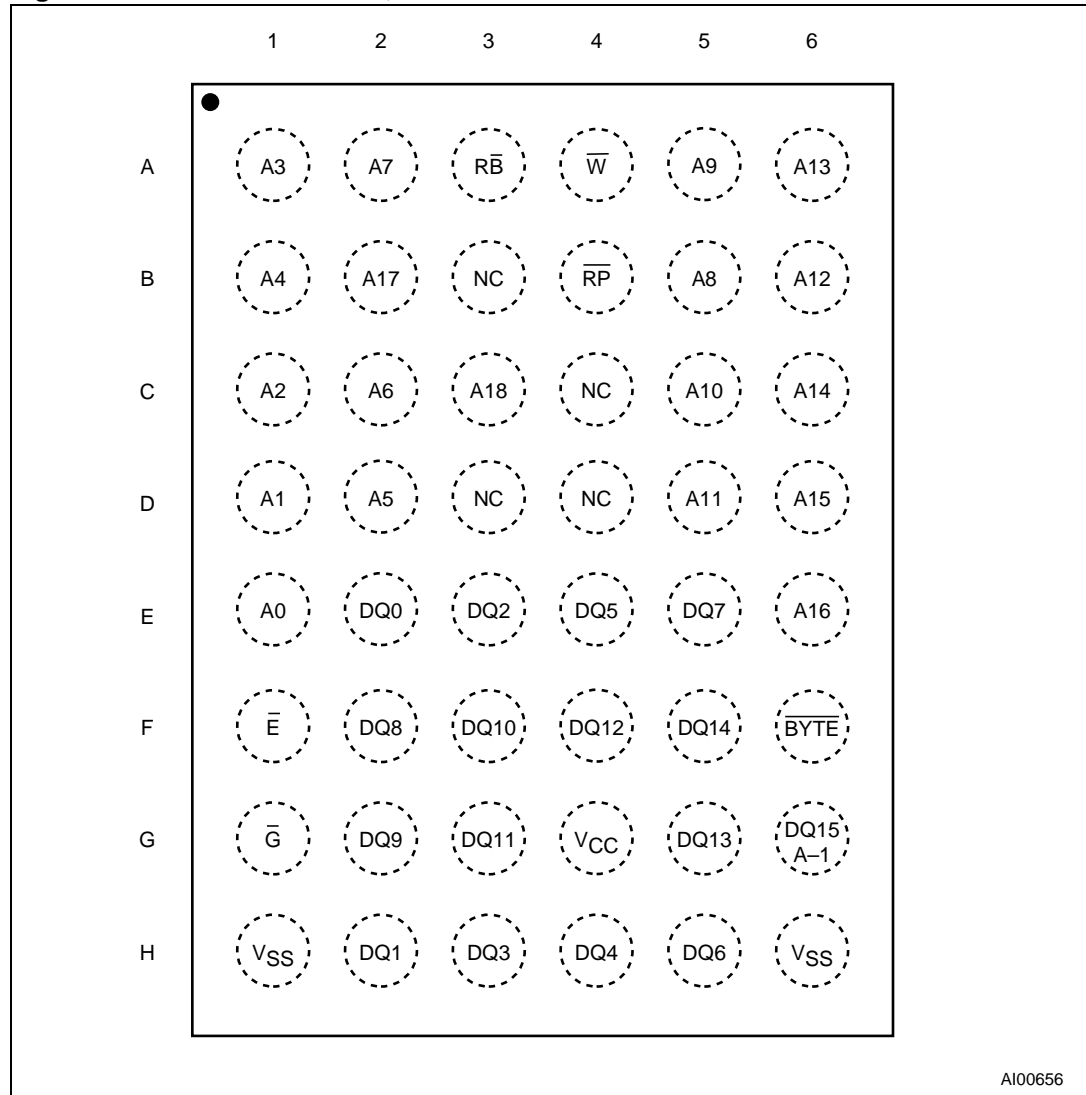
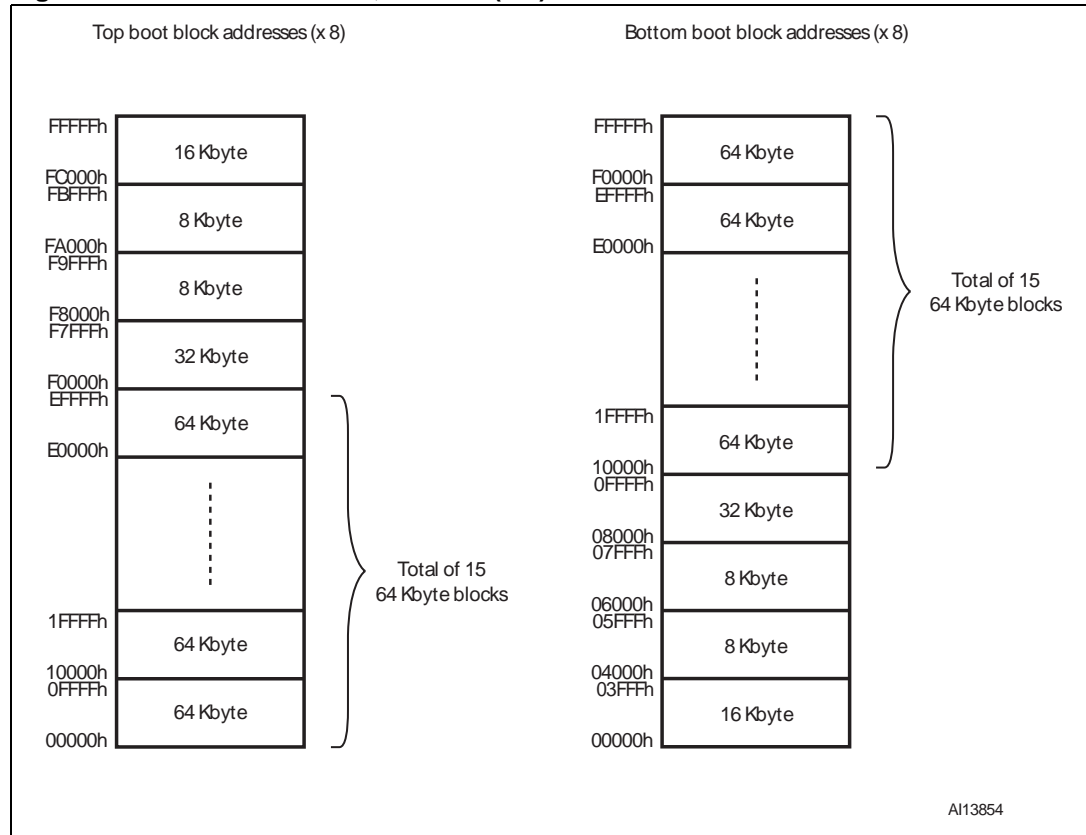


Figure 5. BGA connections, 800FT/B

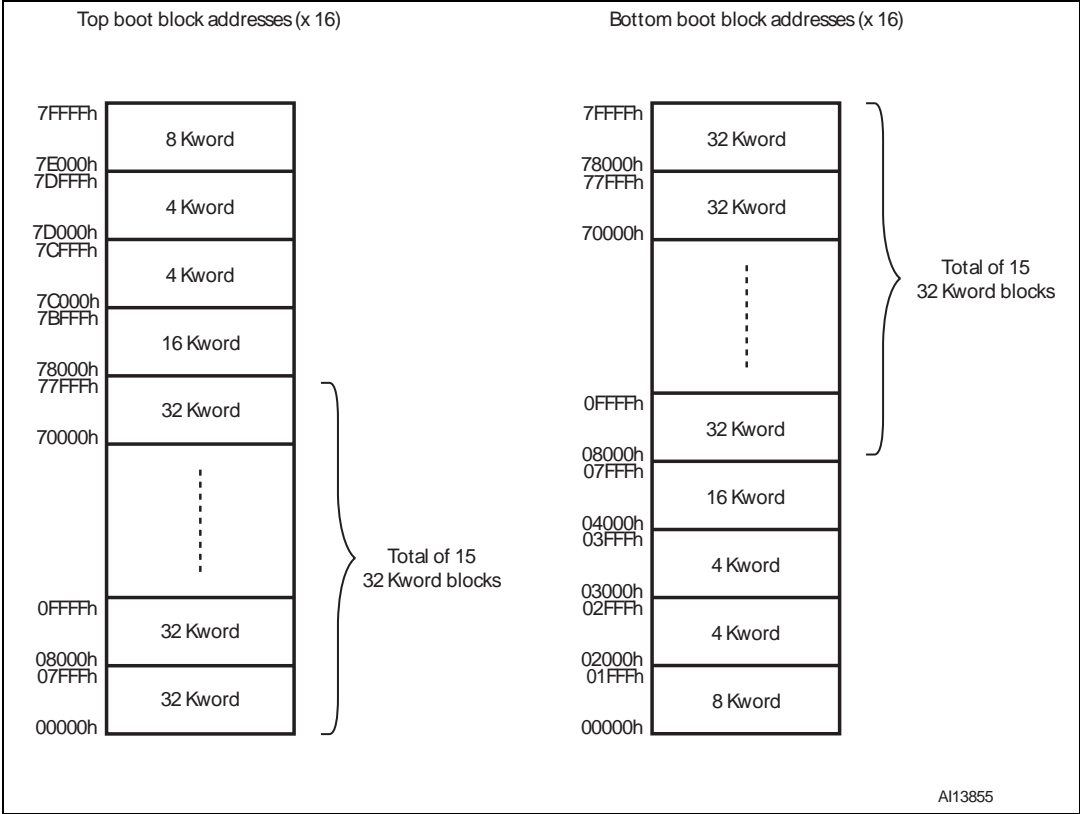


**Figure 6. Block addresses, 800FT/B(x 8)**



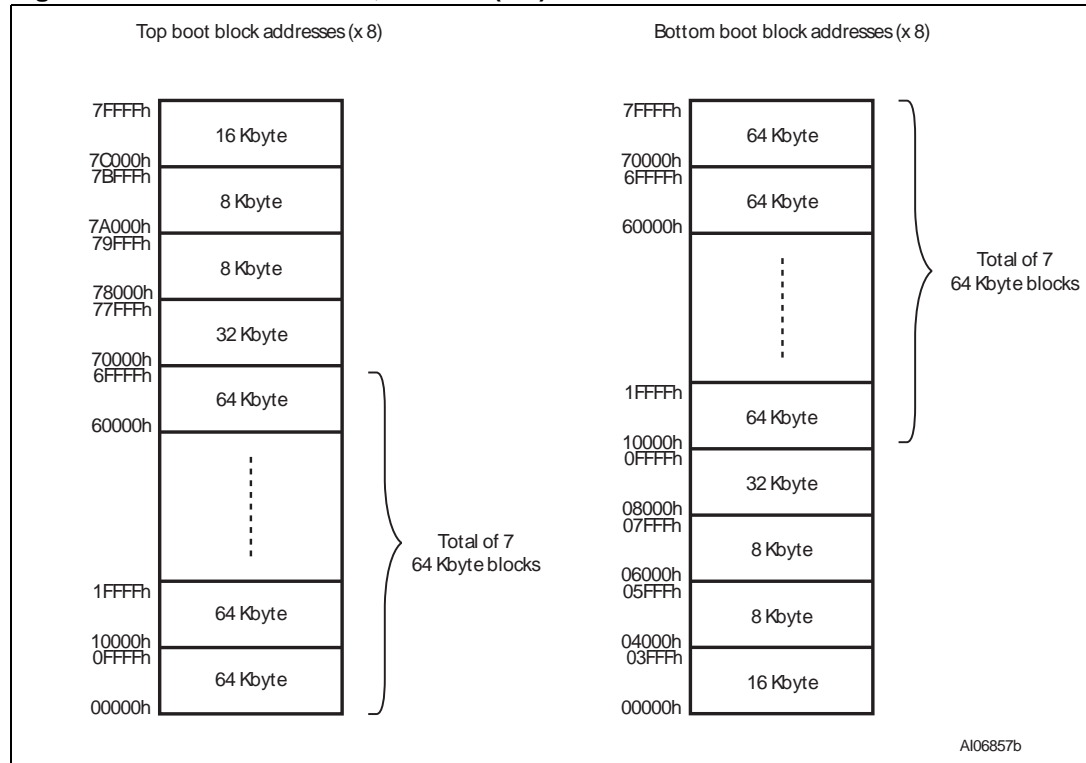
1. Also see [Appendix A: Block address table, Table 20](#) and [Table 21](#) for a full listing of the block addresses.

Figure 7. Block addresses, 800FT/B(x 16)

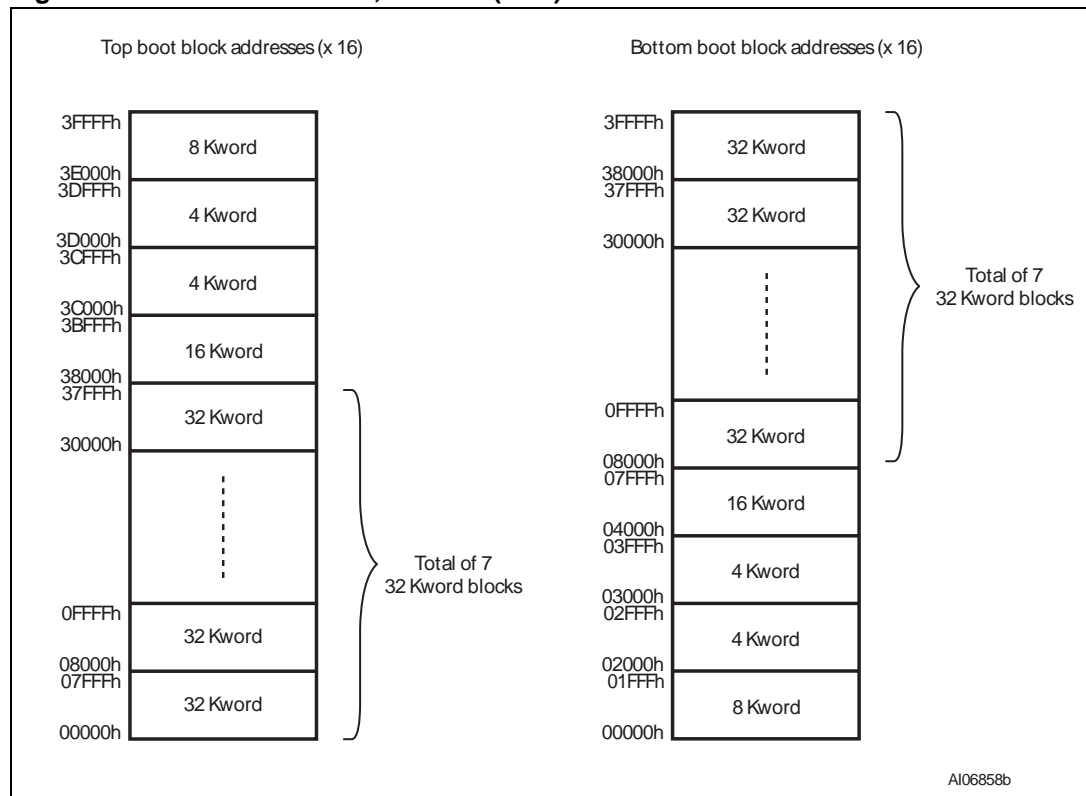


1. Also see [Appendix A: Block address table, Table 20](#) and [Table 21](#) for a full listing of the block addresses.

**Figure 8. Block addresses, 400FT/B(x 8)**



**Figure 9. Block addresses, 400FT/B(x 16)**



## 2 Signal descriptions

See [Figure 1: Logic diagram](#) and [Table 1: Signal names](#) for a brief overview of the signals connected to this device.

### 2.1 Address inputs (A0-A18)

The address inputs select the cells in the memory array to access during bus read operations. During bus write operations they control the commands sent to the command interface of the internal state machine.

### 2.2 Data inputs/outputs (DQ0-DQ7)

The data inputs/outputs output the data stored at the selected address during a bus read operation. During bus write operations they represent the commands sent to the command interface of the internal state machine.

### 2.3 Data inputs/outputs (DQ8-DQ14)

The data inputs/outputs output the data stored at the selected address during a bus read operation when  $\overline{\text{BYTE}}$  is High,  $V_{IH}$ . When  $\overline{\text{BYTE}}$  is Low,  $V_{IL}$ , these pins are not used and are high impedance. During bus write operations the command register does not use these bits. When reading the status register these bits should be ignored.

### 2.4 Data input/output or address input (DQ15A-1)

When  $\overline{\text{BYTE}}$  is High,  $V_{IH}$ , this pin behaves as a data input/output pin (as DQ8-DQ14). When  $\overline{\text{BYTE}}$  is Low,  $V_{IL}$ , this pin behaves as an address pin; DQ15A-1 Low will select the LSB of the word on the other addresses, DQ15A-1 High will select the MSB. Throughout the text consider references to the data input/output to include this pin when  $\overline{\text{BYTE}}$  is High and references to the address inputs to include this pin when  $\overline{\text{BYTE}}$  is Low except when stated explicitly otherwise.

### 2.5 Chip Enable ( $\overline{\text{E}}$ )

The Chip Enable,  $\overline{\text{E}}$ , activates the memory, allowing bus read and bus write operations to be performed. When Chip Enable is High,  $V_{IH}$ , all other pins are ignored.

### 2.6 Output Enable ( $\overline{\text{G}}$ )

The Output Enable,  $\overline{\text{G}}$ , controls the bus read operation of the memory.

## 2.7 Write Enable ( $\overline{W}$ )

The Write Enable,  $\overline{W}$ , controls the bus write operation of the memory's command interface.

## 2.8 Reset/Block Temporary Unprotect ( $\overline{RP}$ )

The Reset/Block Temporary Unprotect pin can be used to apply a hardware reset to the memory or to temporarily unprotect all blocks that have been protected.

A hardware reset is achieved by holding Reset/Block Temporary Unprotect Low,  $V_{IL}$ , for at least  $t_{PLPX}$ . After Reset/Block Temporary Unprotect goes High,  $V_{IH}$ , the memory will be ready for bus read and bus write operations after  $t_{PHEL}$  or  $t_{RHEL}$ , whichever occurs last. See the [Section 2.9: Ready/Busy Output \(RB\)](#), [Table 16: Reset/block temporary unprotect AC characteristics](#) and [Figure 17: Reset/block temporary unprotect AC waveforms](#), for more details.

Holding  $\overline{RP}$  at  $V_{ID}$  will temporarily unprotect the protected blocks in the memory. Program and erase operations on all blocks will be possible. The transition from  $V_{IH}$  to  $V_{ID}$  must be slower than  $t_{PHPHH}$ .

## 2.9 Ready/Busy Output ( $\overline{RB}$ )

The Ready/Busy pin is an open-drain output that can be used to identify when the device is performing a program or erase operation. During program or erase operations Ready/Busy is Low,  $V_{OL}$ . Ready/Busy is high-impedance during read mode, auto select mode and erase suspend mode.

After a hardware reset, bus read and bus write operations cannot begin until Ready/Busy becomes high-impedance. See [Table 16: Reset/block temporary unprotect AC characteristics](#) and [Figure 17: Reset/block temporary unprotect AC waveforms](#).

The use of an open-drain output allows the Ready/Busy pins from several memories to be connected to a single pull-up resistor. A Low will then indicate that one, or more, of the memories is busy.

## 2.10 Byte/Word Organization Select ( $\overline{BYTE}$ )

The Byte/Word Organization Select pin is used to switch between the 8-bit and 16-bit bus modes of the memory. When Byte/Word Organization Select is Low,  $V_{IL}$ , the memory is in 8-bit mode, when it is High,  $V_{IH}$ , the memory is in 16-bit mode.



## 2.11 $V_{CC}$ supply voltage

The  $V_{CC}$  supply voltage supplies the power for all operations (read, program, erase etc.).

The command interface is disabled when the  $V_{CC}$  supply voltage is less than the lockout voltage,  $V_{LKO}$ . This prevents bus write operations from accidentally damaging the data during power up, power down and power surges. If the program/erase controller is programming or erasing during this time then the operation aborts and the memory contents being altered will be invalid.

A 0.1  $\mu\text{F}$  capacitor should be connected between the  $V_{CC}$  supply voltage pin and the  $V_{SS}$  ground pin to decouple the current surges from the power supply. The PCB track widths must be sufficient to carry the currents required during program and erase operations,  $I_{CC3}$ .

## 2.12 $V_{SS}$ ground

The  $V_{SS}$  ground is the reference for all voltage measurements.

## 3 Bus operations

There are five standard bus operations that control the device. These are bus read, bus write, output disable, standby and automatic standby. See [Table 2](#) and [Table 3](#), bus operations, for a summary. Typically glitches of less than 5 ns on Chip Enable or Write Enable are ignored by the memory and do not affect bus operations.

### 3.1 Bus read

Bus read operations read from the memory cells, or specific registers in the command interface. A valid bus read operation involves setting the desired address on the address inputs, applying a Low signal,  $V_{IL}$ , to Chip Enable and Output Enable and keeping Write Enable High,  $V_{IH}$ . The data inputs/outputs will output the value, see [Figure 14: Read mode AC waveforms](#), and [Figure 13: Read AC characteristics](#) for details of when the output becomes valid.

### 3.2 Bus write

Bus write operations write to the command interface. A valid bus write operation begins by setting the desired address on the address inputs. The address inputs are latched by the command interface on the falling edge of Chip Enable or Write Enable, whichever occurs last. The data inputs/outputs are latched by the command interface on the rising edge of Chip Enable or Write Enable, whichever occurs first. Output Enable must remain High,  $V_{IH}$ , during the whole bus write operation. See [Figure 15](#) and [Figure 16](#), Write AC waveforms, and [Table 14](#) and [Table 15](#), Write AC characteristics, for details of the timing requirements.

### 3.3 Output disable

The data inputs/outputs are in the high impedance state when Output Enable is High,  $V_{IH}$ .

### 3.4 Standby

When Chip Enable is High,  $V_{IH}$ , the memory enters standby mode and the data inputs/outputs pins are placed in the high-impedance state. To reduce the supply current to the standby supply current,  $I_{CC2}$ , Chip Enable should be held within  $V_{CC} \pm 0.2$  V. For the standby current level see [Table 12: DC characteristics](#).

During program or erase operations the memory will continue to use the program/erase supply current,  $I_{CC3}$ , for program or erase operations until the operation completes.

### 3.5 Automatic standby

If CMOS levels ( $V_{CC} \pm 0.2$  V) are used to drive the bus and the bus is inactive for 150 ns or more the memory enters automatic standby where the internal supply current is reduced to the standby supply current,  $I_{CC2}$ . The data inputs/outputs will still output data if a bus read operation is in progress.

### 3.6 Special bus operations

Additional bus operations can be performed to read the electronic signature and also to apply and remove block protection. These bus operations are intended for use by programming equipment and are not usually used in applications. They require  $V_{ID}$  to be applied to some pins.

### 3.7 Electronic signature

The memory has two codes, the manufacturer code and the device code, that can be read to identify the memory. These codes can be read by applying the signals listed in [Table 2](#) and [Table 3](#), Bus operations.

### 3.8 Block protection and blocks unprotection

Each block can be separately protected against accidental program or erase. Protected blocks can be unprotected to allow data to be changed.

There are two methods available for protecting and unprotecting the blocks, one for use on programming equipment and the other for in-system use. Block protect and chip unprotect operations are described in [Appendix C: Block protection](#).

**Table 2. Bus operations,  $\overline{\text{BYTE}} = V_{IL}$  <sup>(1)</sup>**

Operation	$\overline{\text{E}}$	$\overline{\text{G}}$	$\overline{\text{W}}$	Address inputs DQ15A-1, A0-A18	Data inputs/outputs	
					DQ14-DQ8	DQ7-DQ0
Bus read	$V_{IL}$	$V_{IL}$	$V_{IH}$	Cell address	Hi-Z	Data output
Bus write	$V_{IL}$	$V_{IH}$	$V_{IL}$	Command address	Hi-Z	Data input
Output disable	X	$V_{IH}$	$V_{IH}$	X	Hi-Z	Hi-Z
Standby	$V_{IH}$	X	X	X	Hi-Z	Hi-Z
Read manufacturer code	$V_{IL}$	$V_{IL}$	$V_{IH}$	A0 = $V_{IL}$ , A1 = $V_{IL}$ , A9 = $V_{ID}$ , others $V_{IL}$ or $V_{IH}$	Hi-Z	20h
Read device code	$V_{IL}$	$V_{IL}$	$V_{IH}$	A0 = $V_{IH}$ , A1 = $V_{IL}$ , A9 = $V_{ID}$ , others $V_{IL}$ or $V_{IH}$	Hi-Z	D7h (M29W800FT) 5Bh (M29W800FB) EEh (M29W400FT) EFh (M29W400FB)

1. X =  $V_{IL}$  or  $V_{IH}$ .

Table 3. Bus operations,  $\overline{\text{BYTE}} = V_{\text{IH}}$  <sup>(1)</sup>

Operation	$\overline{\text{E}}$	$\overline{\text{G}}$	$\overline{\text{W}}$	Address Inputs A0-A18	Data inputs/outputs DQ15A-1, DQ14-DQ0
Bus read	$V_{\text{IL}}$	$V_{\text{IL}}$	$V_{\text{IH}}$	Cell address	Data output
Bus write	$V_{\text{IL}}$	$V_{\text{IH}}$	$V_{\text{IL}}$	Command address	Data input
Output disable	X	$V_{\text{IH}}$	$V_{\text{IH}}$	X	Hi-Z
Standby	$V_{\text{IH}}$	X	X	X	Hi-Z
Read manufacturer code	$V_{\text{IL}}$	$V_{\text{IL}}$	$V_{\text{IH}}$	A0 = $V_{\text{IL}}$ , A1 = $V_{\text{IL}}$ , A9 = $V_{\text{ID}}$ , others $V_{\text{IL}}$ or $V_{\text{IH}}$	0020h
Read device code	$V_{\text{IL}}$	$V_{\text{IL}}$	$V_{\text{IH}}$	A0 = $V_{\text{IH}}$ , A1 = $V_{\text{IL}}$ , A9 = $V_{\text{ID}}$ , others $V_{\text{IL}}$ or $V_{\text{IH}}$	22D7h (M29W800FT) 225Bh (M29W800FB) 00EEh (M29W400FT) 00EFh (M29W400FB)

1. X =  $V_{\text{IL}}$  or  $V_{\text{IH}}$ .

## 4 Command interface

All bus write operations to the memory are interpreted by the command interface. Commands consist of one or more sequential bus write operations. Failure to observe a valid sequence of bus write operations will result in the memory returning to read mode. The long command sequences are imposed to maximize data security.

The address used for the commands changes depending on whether the memory is in 16-bit or 8-bit mode. See either [Table 4](#), or [Table 5](#), depending on the configuration that is being used, for a summary of the commands.

### 4.1 Read/Reset command

The Read/Reset command returns the memory to its read mode where it behaves like a ROM or EPROM, unless otherwise stated. It also resets the errors in the status register. Either one or three bus write operations can be used to issue the Read/Reset command.

The Read/Reset command can be issued, between bus write cycles before the start of a program or erase operation, to return the device to read mode. Once the program or erase operation has started the Read/Reset command is no longer accepted. The Read/Reset command will not abort an erase operation when issued while in erase suspend.

### 4.2 Auto Select command

The Auto Select command is used to read the manufacturer code, the device code and the block protection status. Three consecutive bus write operations are required to issue the Auto Select command. Once the Auto Select command is issued the memory remains in auto select mode until a Read/Reset command is issued. Read CFI Query and Read/Reset commands are accepted in auto select mode, all other commands are ignored.

From the auto select mode the manufacturer code can be read using a bus read operation with  $A0 = V_{IL}$  and  $A1 = V_{IL}$ . The other address bits may be set to either  $V_{IL}$  or  $V_{IH}$ . The manufacturer code for Numonyx is 0020h.

The device code can be read using a bus read operation with  $A0 = V_{IH}$  and  $A1 = V_{IL}$ . The other address bits may be set to either  $V_{IL}$  or  $V_{IH}$ . The device code for the M29W800FT is 22D7h and for the M29W800FB is 225Bh.

The block protection status of each block can be read using a bus read operation with  $A0 = V_{IL}$ ,  $A1 = V_{IH}$ , and A12-A18 specifying the address of the block. The other address bits may be set to either  $V_{IL}$  or  $V_{IH}$ . If the addressed block is protected then 01h is output on data inputs/outputs DQ0-DQ7, otherwise 00h is output.

### 4.3 Program command

The Program command can be used to program a value to one address in the memory array at a time. The command requires four bus write operations, the final write operation latches the address and data in the internal state machine and starts the program/erase controller.

If the address falls in a protected block then the Program command is ignored, the data remains unchanged. The status register is never read and no error condition is given.

During the program operation the memory will ignore all commands. It is not possible to issue any command to abort or pause the operation. Typical program times are given in [Table 6: Program, erase times and endurance cycles, 400F](#). Bus read operations during the program operation will output the status register on the data inputs/outputs. See the [Section 5: Status register](#) for more details.

After the program operation has completed the memory will return to the read mode, unless an error has occurred. When an error occurs the memory will continue to output the status register. A Read/Reset command must be issued to reset the error condition and return to read mode.

Note that the Program command cannot change a bit set at '0' back to '1'. One of the Erase commands must be used to set all the bits in a block or in the whole memory from '0' to '1'.

### 4.4 Unlock Bypass command

The Unlock Bypass command is used in conjunction with the Unlock Bypass Program command to program the memory. When the access time to the device is long (as with some EPROM programmers) considerable time saving can be made by using these commands. Three bus write operations are required to issue the Unlock Bypass command.

Once the Unlock Bypass command has been issued the memory will only accept the Unlock Bypass Program command and the Unlock Bypass Reset command. The memory can be read as if in read mode.

### 4.5 Unlock Bypass Program command

The Unlock Bypass Program command can be used to program one address in memory at a time. The command requires two bus write operations, the final write operation latches the address and data in the internal state machine and starts the program/erase controller.

The program operation using the Unlock Bypass Program command behaves identically to the program operation using the Program command. A protected block cannot be programmed; the operation cannot be aborted and the status register is read. Errors must be reset using the Read/Reset command, which leaves the device in unlock bypass mode. See the Program command for details on the behavior.

### 4.6 Unlock Bypass Reset command

The Unlock Bypass Reset command can be used to return to read/reset mode from unlock bypass mode. Two bus write operations are required to issue the Unlock Bypass Reset command. Read/Reset command does not exit from unlock bypass mode.

## 4.7 Chip Erase command

The Chip Erase command can be used to erase the entire chip. Six bus write operations are required to issue the Chip Erase command and start the program/erase controller.

If any blocks are protected then these are ignored and all the other blocks are erased. If all of the blocks are protected the chip erase operation appears to start but will terminate within about 100  $\mu$ s, leaving the data unchanged. No error condition is given when protected blocks are ignored.

During the erase operation the memory will ignore all commands. It is not possible to issue any command to abort the operation. Typical chip erase times are given in [Table 6: Program, erase times and endurance cycles, 400F](#). All bus read operations during the chip erase operation will output the status register on the data inputs/outputs. See the [Section 5: Status register](#) for more details.

After the chip erase operation has completed the memory will return to the read mode, unless an error has occurred. When an error occurs the memory will continue to output the status register. A Read/Reset command must be issued to reset the error condition and return to read mode.

The Chip Erase command sets all of the bits in unprotected blocks of the memory to '1'. All previous data is lost.

## 4.8 Block Erase command

The Block Erase command can be used to erase a list of one or more blocks. Six bus write operations are required to select the first block in the list. Each additional block in the list can be selected by repeating the sixth bus write operation using the address of the additional block. The block erase operation starts the program/erase controller about 50  $\mu$ s after the last bus write operation. Once the program/erase controller starts it is not possible to select any more blocks. Each additional block must therefore be selected within 50  $\mu$ s of the last block. The 50  $\mu$ s timer restarts when an additional block is selected. The status register can be read after the sixth bus write operation. See the status register for details on how to identify if the program/erase controller has started the block erase operation.

If any selected blocks are protected then these are ignored and all the other selected blocks are erased. If all of the selected blocks are protected the block erase operation appears to start but will terminate within about 100  $\mu$ s, leaving the data unchanged. No error condition is given when protected blocks are ignored.

During the block erase operation the memory will ignore all commands except the Erase Suspend command. Typical block erase times are given in [Program, erase times and endurance cycles, 400F](#). All bus read operations during the block erase operation will output the status register on the data inputs/outputs. See [Section 5: Status register](#) for more details.

After the block erase operation has completed the memory will return to the read mode, unless an error has occurred. When an error occurs the memory will continue to output the status register. A Read/Reset command must be issued to reset the error condition and return to read mode.

The Block Erase command sets all of the bits in the unprotected selected blocks to '1'. All previous data in the selected blocks is lost.

## 4.9 Erase Suspend command

The Erase Suspend command may be used to temporarily suspend a block erase operation and return the memory to read mode. The command requires one bus write operation.

The program/erase controller will suspend within the erase suspend latency time (refer to [Table 6: Program, erase times and endurance cycles, 400F](#) for value) of the Erase Suspend command being issued. Once the program/erase controller has stopped the memory will be set to read mode and the erase will be suspended. If the Erase Suspend command is issued during the period when the memory is waiting for an additional block (before the program/erase controller starts) then the erase is suspended immediately and will start immediately when the Erase Resume command is issued. It is not possible to select any further blocks to erase after the erase resume.

During erase suspend it is possible to read and program cells in blocks that are not being erased; both read and program operations behave as normal on these blocks. If any attempt is made to program in a protected block or in the suspended block then the Program command is ignored and the data remains unchanged. The status register is not read and no error condition is given. Reading from blocks that are being erased will output the status register.

It is also possible to issue the Auto Select, Read CFI Query and Unlock Bypass commands during an erase suspend. The Read/Reset command must be issued to return the device to read array mode before the Resume command will be accepted.

## 4.10 Erase Resume command

The Erase Resume command must be used to restart the program/erase controller from erase suspend. An erase can be suspended and resumed more than once.

## 4.11 Read CFI Query command

The Read CFI Query command is used to read data from the common Flash interface (CFI) memory area. This command is valid when the device is in the read array mode, or when the device is in auto select mode.

One bus write cycle is required to issue the Read CFI Query command. Once the command is issued subsequent bus read operations read from the common Flash Interface memory area.

The Read/Reset command must be issued to return the device to the previous mode (read array mode or auto select mode). A second Read/Reset command would be needed if the device is to be put in the read array mode from auto select mode.

See [Appendix B: Common Flash interface \(CFI\)](#), [Table 24](#), [Table 25](#), [Table 26](#), [Table 27](#), [Table 28](#) and [Table 29](#) for details on the information contained in the common Flash interface (CFI) memory area.



## 4.12 Block Protect and Chip Unprotect commands

Each block can be separately protected against accidental program or erase. The whole chip can be unprotected to allow the data inside the blocks to be changed.

Block protect and chip unprotect operations are described in [Appendix C: Block protection](#).

**Table 4. Commands, 16-bit mode,  $\overline{\text{BYTE}} = V_{IH}^{(1)}$**

Command	Length	Bus write operations											
		1st		2nd		3rd		4th		5th		6th	
		Addr	Data	Addr	Data	Addr	Data	Addr	Data	Addr	Data	Addr	Data
Read/Reset	1	X	F0										
	3	555	AA	2AA	55	X	F0						
Auto Select	3	555	AA	2AA	55	555	90						
Program	4	555	AA	2AA	55	555	A0	PA	PD				
Unlock Bypass	3	555	AA	2AA	55	555	20						
Unlock Bypass Program	2	X	A0	PA	PD								
Unlock Bypass Reset	2	X	90	X	00								
Chip Erase	6	555	AA	2AA	55	555	80	555	AA	2AA	55	555	10
Block Erase	6+	555	AA	2AA	55	555	80	555	AA	2AA	55	BA	30
Erase Suspend	1	X	B0										
Erase Resume	1	X	30										
Read CFI Query	1	55	98										

1. X don't care, PA program address, PD program data, BA any address in the block.  
All values in the table are in hexadecimal format.  
The command interface only uses A-1, A0-A10 and DQ0-DQ7 to verify the commands; A11-A18, DQ8-DQ14 and DQ15 are don't care. DQ15A-1 is A-1 when BYTE is  $V_{IL}$  or DQ15 when BYTE is  $V_{IH}$ .

**Table 5. Commands, 8-bit mode,  $\overline{\text{BYTE}} = V_{\text{IL}}$  <sup>(1)</sup>**

Command	Length	Bus write operations											
		1st		2nd		3rd		4th		5th		6th	
		Addr	Data	Addr	Data	Addr	Data	Addr	Data	Addr	Data	Addr	Data
Read/Reset	1	X	F0										
	3	AAA	AA	555	55	X	F0						
Auto Select	3	AAA	AA	555	55	AAA	90						
Program	4	AAA	AA	555	55	AAA	A0	PA	PD				
Unlock Bypass	3	AAA	AA	555	55	AAA	20						
Unlock Bypass Program	2	X	A0	PA	PD								
Unlock Bypass Reset	2	X	90	X	00								
Chip Erase	6	AAA	AA	555	55	AAA	80	AAA	AA	555	55	AAA	10
Block Erase	6+	AAA	AA	555	55	AAA	80	AAA	AA	555	55	BA	30
Erase Suspend	1	X	B0										
Erase Resume	1	X	30										
Read CFI Query	1	AA	98										

1. X don't care, PA program address, PD program data, BA any address in the block.

All values in the table are in hexadecimal.

The command interface only uses A-1, A0-A10 and DQ0-DQ7 to verify the commands; A11-A18, DQ8-DQ14 and DQ15 are don't care. DQ15A-1 is A-1 when BYTE is  $V_{\text{IL}}$  or DQ15 when BYTE is  $V_{\text{IH}}$ .

**Table 6. Program, erase times and endurance cycles, 400F**

Parameter	Min.	Typ. <sup>(1) (2)</sup>	Max. <sup>(2)</sup>	Unit
Chip erase		6	30 <sup>(3)</sup>	s
Block erase (64 Kbytes)		0.8	6 <sup>(4)</sup>	s
Erase suspend latency time		15	25 <sup>(3)</sup>	$\mu\text{s}$
Program (byte or word)		10	200 <sup>(3)</sup>	$\mu\text{s}$
Chip program (byte by byte)		5.5	30 <sup>(3)</sup>	s
Chip program (word by word)		2.8	15 <sup>(4)</sup>	s
Program/erase cycles (per block)	100,000			cycles
Data retention	20			years

1. Typical values measured at room temperature and nominal voltages.

2. Sampled, but not 100% tested.

3. Maximum value measured at worst case conditions for both temperature and  $V_{\text{CC}}$  after 100,000 program/erase cycles.

4. Maximum value measured at worst case conditions for both temperature and  $V_{\text{CC}}$ .

**Table 7. Program, erase times and endurance cycles, 800F**

Parameter	Min.	Typ. <sup>(1) (2)</sup>	Max. <sup>(2)</sup>	Unit
Chip erase		12	60 <sup>(3)</sup>	s
Block erase (64 Kbytes)		0.8	6 <sup>(4)</sup>	s
Erase suspend latency time		15	25 <sup>(3)</sup>	μs
Program (byte or word)		10	200 <sup>(3)</sup>	μs
Chip program (byte by byte)		12	60 <sup>(3)</sup>	s
Chip program (word by word)		6	30 <sup>(4)</sup>	s
Program/erase cycles (per block)	100,000			cycles
Data retention	20			years

1. Typical values measured at room temperature and nominal voltages.
2. Sampled, but not 100% tested.
3. Maximum value measured at worst case conditions for both temperature and  $V_{CC}$  after 100, 000 program/erase cycles.
4. Maximum value measured at worst case conditions for both temperature and  $V_{CC}$ .

## 5 Status register

Bus read operations from any address always read the status register during program and erase operations. It is also read during erase suspend when an address within a block being erased is accessed.

The bits in the status register are summarized in [Table 8: Status register bits](#).

### 5.1 Data polling bit (DQ7)

The data polling bit can be used to identify whether the program/erase controller has successfully completed its operation or if it has responded to an erase suspend. The data polling bit is output on DQ7 when the status register is read.

During program operations the data polling bit outputs the complement of the bit being programmed to DQ7. After successful completion of the program operation the memory returns to read mode and bus read operations from the address just programmed output DQ7, not its complement.

During erase operations the data polling bit outputs '0', the complement of the erased state of DQ7. After successful completion of the erase operation the memory returns to read mode.

In erase suspend mode the data polling bit will output a '1' during a bus read operation within a block being erased. The data polling bit will change from a '0' to a '1' when the program/erase controller has suspended the erase operation.

[Figure 10: Data polling flowchart](#) gives an example of how to use the data polling bit. A valid address is the address being programmed or an address within the block being erased.

### 5.2 Toggle bit (DQ6)

The toggle bit can be used to identify whether the program/erase controller has successfully completed its operation or if it has responded to an erase suspend. The toggle bit is output on DQ6 when the status register is read.

During program and erase operations the toggle bit changes from '0' to '1' to '0', etc., with successive bus read operations at any address. After successful completion of the operation the memory returns to read mode.

During erase suspend mode the toggle bit will output when addressing a cell within a block being erased. The toggle bit will stop toggling when the program/erase controller has suspended the erase operation.

If any attempt is made to erase a protected block, the operation is aborted, no error is signalled and DQ6 toggles for approximately 100  $\mu$ s. If any attempt is made to program a protected block or a suspended block, the operation is aborted, no error is signalled and DQ6 toggles for approximately 1  $\mu$ s.

[Figure 11: Toggle flowchart](#) gives an example of how to use the toggle bit.

### 5.3 Error bit (DQ5)

The error bit can be used to identify errors detected by the program/erase controller. The error bit is set to '1' when a program, block erase or chip erase operation fails to write the correct data to the memory. If the error bit is set a Read/Reset command must be issued before other commands are issued. The error bit is output on DQ5 when the status register is read.

Note that the Program command cannot change a bit set to '0' back to '1' and attempting to do so will set DQ5 to '1'. A bus read operation to that address will show the bit is still '0'. One of the erase commands must be used to set all the bits in a block or in the whole memory from '0' to '1'

### 5.4 Erase timer bit (DQ3)

The erase timer bit can be used to identify the start of program/erase controller operation during a Block Erase command. Once the program/erase controller starts erasing the erase timer bit is set to '1'. Before the program/erase controller starts the erase timer bit is set to '0' and additional blocks to be erased may be written to the command interface. The erase timer bit is output on DQ3 when the status register is read.

### 5.5 Alternative toggle bit (DQ2)

The alternative toggle bit can be used to monitor the program/erase controller during erase operations. The alternative toggle bit is output on DQ2 when the status register is read.

During chip erase and block erase operations the toggle bit changes from '0' to '1' to '0', etc., with successive bus read operations from addresses within the blocks being erased. A protected block is treated the same as a block not being erased. Once the operation completes the memory returns to read mode.

During erase suspend the alternative toggle bit changes from '0' to '1' to '0', etc. with successive bus read operations from addresses within the blocks being erased. Bus read operations to addresses within blocks not being erased will output the memory cell data as if in read mode.

After an erase operation that causes the error bit to be set the alternative toggle bit can be used to identify which block or blocks have caused the error. The alternative toggle bit changes from '0' to '1' to '0', etc. with successive bus read operations from addresses within blocks that have not erased correctly. The alternative toggle bit does not change if the addressed block has erased correctly.

**Table 8. Status register bits <sup>(1)</sup>**

Operation	Address	DQ7	DQ6	DQ5	DQ3	DQ2	$\overline{RB}$
Program	Any address	DQ7	Toggle	0	–	–	0
Program during erase suspend	Any address	DQ7	Toggle	0	–	–	0
Program error	Any address	DQ7	Toggle	1	–	–	0
Chip erase	Any address	0	Toggle	0	1	Toggle	0
Block erase before timeout	Erasing block	0	Toggle	0	0	Toggle	0
	Non-erasing block	0	Toggle	0	0	No Toggle	0
Block erase	Erasing block	0	Toggle	0	1	Toggle	0
	Non-erasing block	0	Toggle	0	1	No Toggle	0
Erase suspend	Erasing block	1	No Toggle	0	–	Toggle	1
	Non-erasing block	Data read as normal					
Erase error	Good block address	0	Toggle	1	1	No Toggle	0
	Faulty block address	0	Toggle	1	1	Toggle	0

1. Unspecified data bits should be ignored.

**Figure 10. Data polling flowchart**

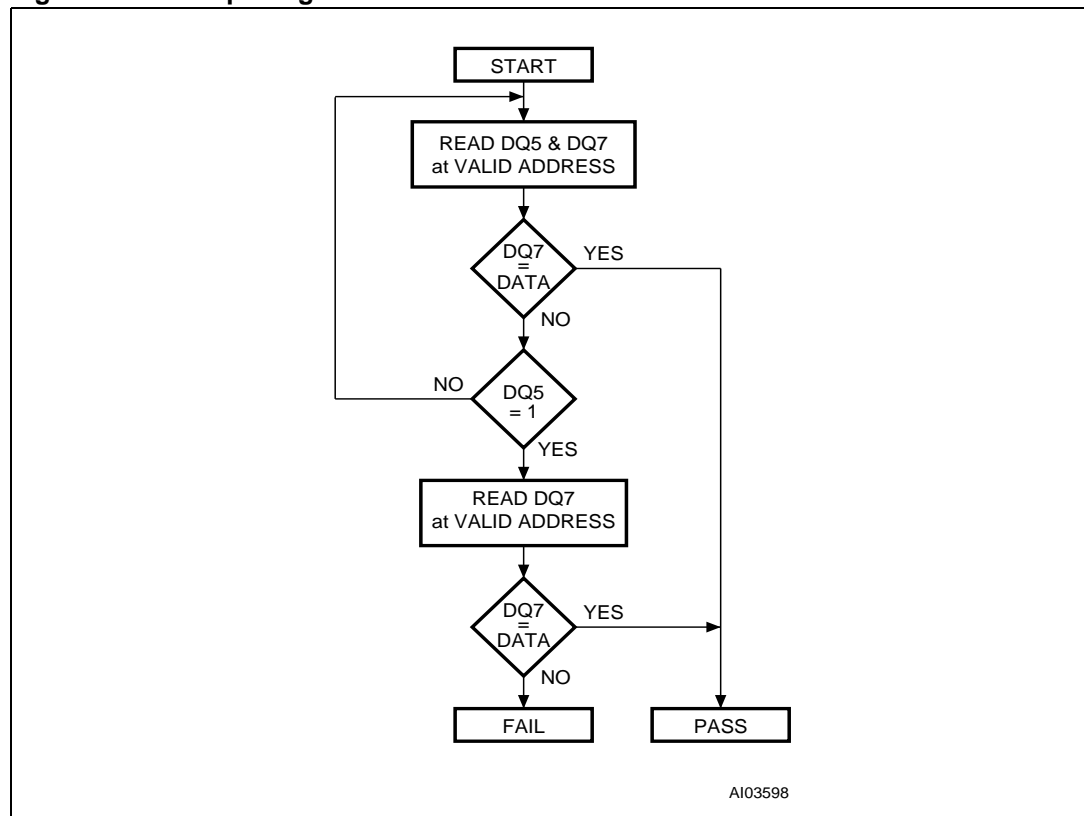
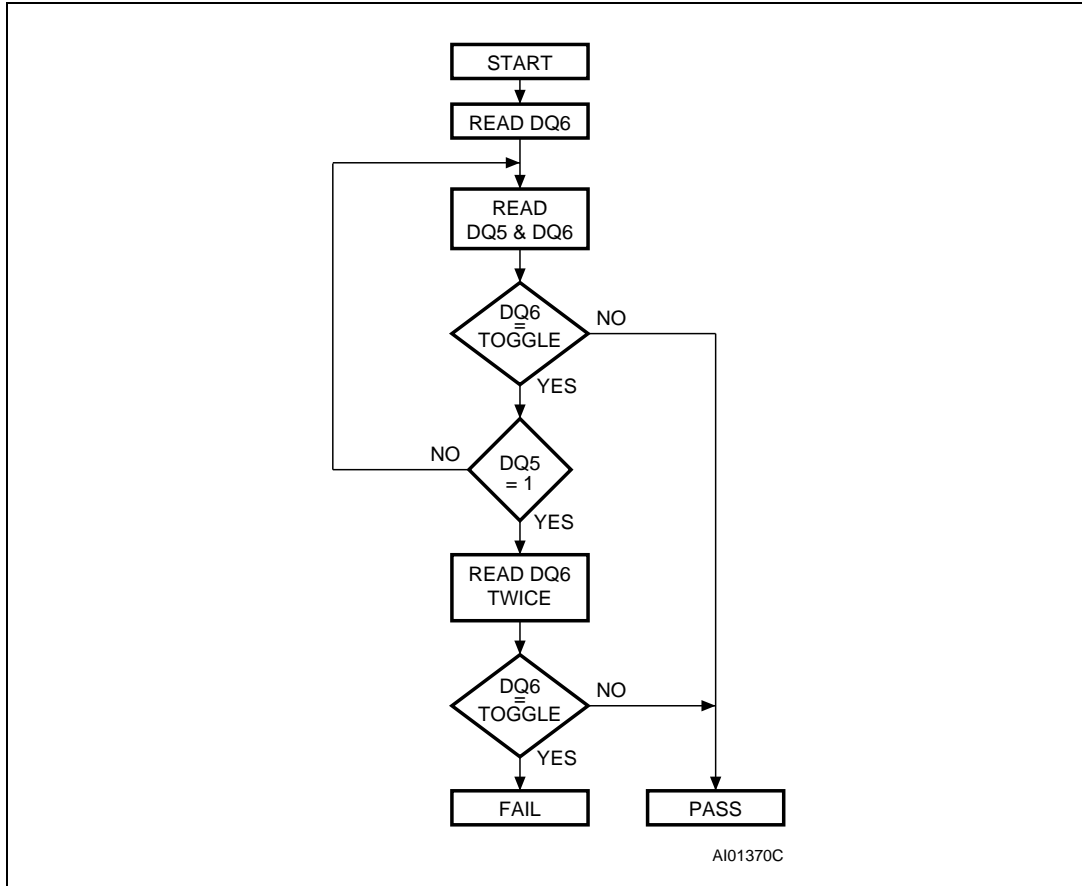


Figure 11. Toggle flowchart



## 6 Maximum rating

Stressing the device above the rating listed in the [Table 9: Absolute maximum ratings](#) may cause permanent damage to the device. Exposure to absolute maximum rating conditions for extended periods may affect device reliability. These are stress ratings only and operation of the device at these or any other conditions above those indicated in the operating sections of this specification is not implied. Refer also to the Numonyx SURE program and other relevant quality documents.

**Table 9. Absolute maximum ratings**

Symbol	Parameter	Min	Max	Unit
$T_{BIAS}$	Temperature under bias	-50	125	°C
$T_{STG}$	Storage temperature	-65	150	°C
$V_{IO}$	Input or output voltage <sup>(1)</sup> <sup>(2)</sup>	-0.6	$V_{CC} + 0.6$	V
$V_{CC}$	Supply voltage	-0.6	4	V
$V_{ID}$	Identification voltage	-0.6	13.5	V

1. Minimum voltage may undershoot to -2 V during transition and for less than 20 ns during transitions.
2. Maximum voltage may overshoot to  $V_{CC} + 2$  V during transition and for less than 20 ns during transitions.



## 7 DC and AC parameters

This section summarizes the operating measurement conditions, and the DC and AC characteristics of the device. The parameters in the DC and AC characteristics tables that follow, are derived from tests performed under the measurement conditions summarized in [Table 10: Operating and AC measurement conditions](#). Designers should check that the operating conditions in their circuit match the operating conditions when relying on the quoted parameters.

**Table 10. Operating and AC measurement conditions**

Parameter	M29W800FT/B and M29W400FT/B								Unit
	55 ns <sup>(1)</sup>		5A ns		70 ns <sup>(1)</sup>		7A ns		
	Min	Max	Min	Max	Min	Max	Min	Max	
V <sub>CC</sub> supply voltage	3.0	3.6	2.7	3.6	3.0	3.6	2.7	3.6	V
Ambient operating temperature (device grade 3)	-40	125	-40	85	-40	125	-40	85	°C
Load capacitance (C <sub>L</sub> )	30		30		30		30		pF
Input rise and fall times		10		10		10		10	ns
Input pulse voltages	0 to V <sub>CC</sub>		0 to V <sub>CC</sub>		0 to V <sub>CC</sub>		0 to V <sub>CC</sub>		V
Input and output timing ref. voltages	V <sub>CC</sub> /2		V <sub>CC</sub> /2		V <sub>CC</sub> /2		V <sub>CC</sub> /2		V

1. Speed class available for the -40 to 125 °C temperature range.

**Figure 12. AC measurement I/O waveform**

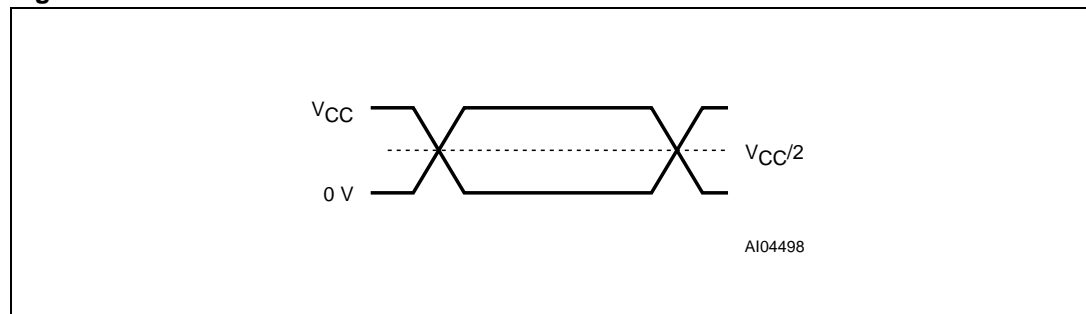
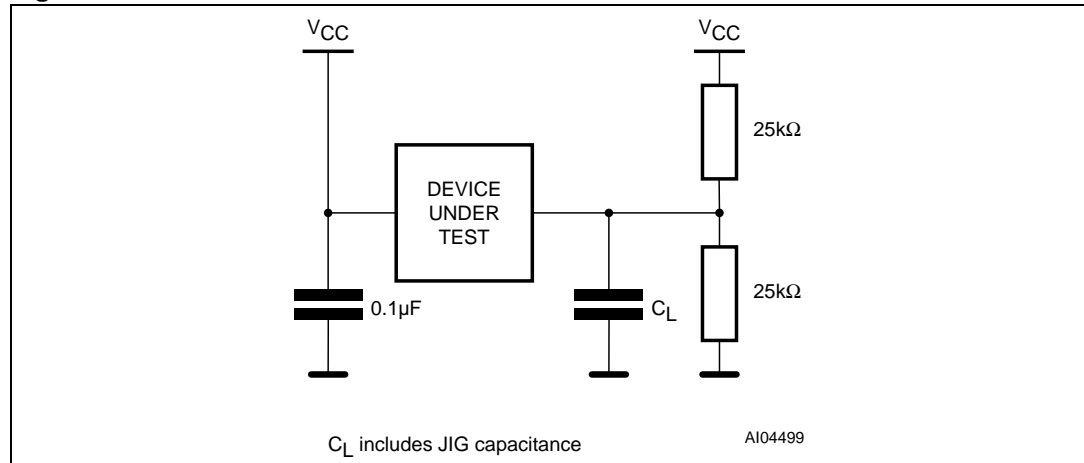


Figure 13. AC measurement load circuit

Table 11. Device capacitance <sup>(1)</sup>

Symbol	Parameter	Test condition	Min	Max	Unit
$C_{IN}$	Input capacitance	$V_{IN} = 0\text{ V}$		6	pF
$C_{OUT}$	Output capacitance	$V_{OUT} = 0\text{ V}$		12	pF

1. Sampled only, not 100% tested.

Table 12. DC characteristics

Symbol	Parameter	Test condition	Min	Max	Unit
$I_{LI}$	Input leakage current	$0\text{ V} \leq V_{IN} \leq V_{CC}$		$\pm 1$	$\mu\text{A}$
$I_{LO}$	Output leakage current	$0\text{ V} \leq V_{OUT} \leq V_{CC}$		$\pm 1$	$\mu\text{A}$
$I_{CC1}$	Supply current (read)	$\bar{E} = V_{IL}, \bar{G} = V_{IH},$ $f = 6\text{ MHz}$		10	mA
$I_{CC2}$	Supply current (standby)	$\bar{E} = V_{CC} \pm 0.2\text{ V},$ $\bar{RP} = V_{CC} \pm 0.2\text{ V}$		100	$\mu\text{A}$
$I_{CC3}^{(1)}$	Supply current (program/erase)	Program/erase controller active		20	mA
$V_{IL}$	Input Low voltage		-0.5	0.8	V
$V_{IH}$	Input High voltage		$0.7V_{CC}$	$V_{CC} + 0.3$	V
$V_{OL}$	Output Low voltage	$I_{OL} = 1.8\text{ mA}$		0.45	V
$V_{OH}$	Output High voltage	$I_{OH} = -100\ \mu\text{A}$	$V_{CC} - 0.4$		V
$V_{ID}$	Identification voltage		11.5	12.5	V
$I_{ID}$	Identification current	$A9 = V_{ID}$		100	$\mu\text{A}$
$V_{LKO}$	Program/erase lockout supply voltage		1.8	2.3	V

1. Sampled only, not 100% tested.

Figure 14. Read mode AC waveforms

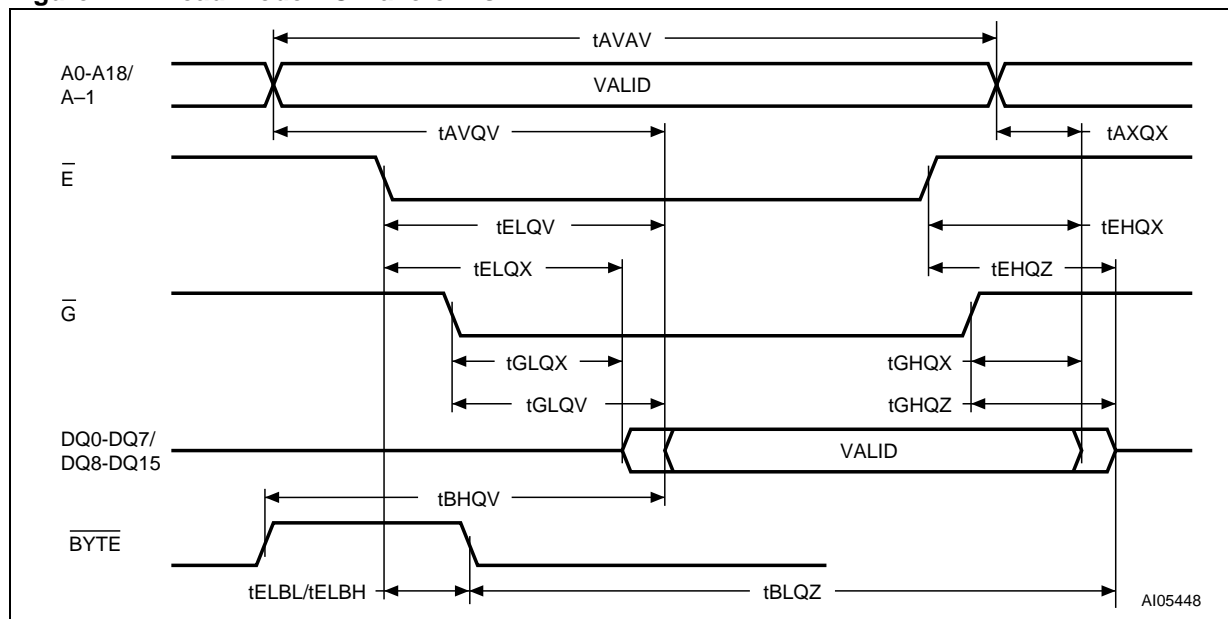


Table 13. Read AC characteristics

Symbol	Alt	Parameter	Test condition		M29W800FT/B and M29W400FT/B		Unit
					5A/55 ns <sup>(1)</sup>	7A/70 ns <sup>(1)</sup>	
$t_{AVAV}$	$t_{RC}$	Address Valid to Next Address Valid	$\overline{E} = V_{IL}$ , $\overline{G} = V_{IL}$	Min	55	70	ns
$t_{AVQV}$	$t_{ACC}$	Address Valid to Output Valid	$\overline{E} = V_{IL}$ , $\overline{G} = V_{IL}$	Max	55	70	ns
$t_{ELQX}^{(2)}$	$t_{LZ}$	Chip Enable Low to Output Transition	$\overline{G} = V_{IL}$	Min	0	0	ns
$t_{ELQV}$	$t_{CE}$	Chip Enable Low to Output Valid	$\overline{G} = V_{IL}$	Max	55	70	ns
$t_{GLQX}^{(2)}$	$t_{OLZ}$	Output Enable Low to Output Transition	$\overline{E} = V_{IL}$	Min	0	0	ns
$t_{GLQV}$	$t_{OE}$	Output Enable Low to Output Valid	$\overline{E} = V_{IL}$	Max	30	30	ns
$t_{EHQZ}^{(2)}$	$t_{HZ}$	Chip Enable High to Output Hi-Z	$\overline{G} = V_{IL}$	Max	25	25	ns
$t_{GHQZ}^{(2)}$	$t_{DF}$	Output Enable High to Output Hi-Z	$\overline{E} = V_{IL}$	Max	25	25	ns
$t_{EHQX}$ $t_{GHQX}$ $t_{AXQX}$	$t_{OH}$	Chip Enable, Output Enable or Address Transition to Output Transition		Min	0	0	ns
$t_{ELBL}$ $t_{ELBH}$	$t_{ELFL}$ $t_{ELFH}$	Chip Enable to $\overline{BYTE}$ Low or High		Max	5	5	ns
$t_{BLQZ}$	$t_{FLQZ}$	$\overline{BYTE}$ Low to Output Hi-Z		Max	25	25	ns
$t_{BHQV}$	$t_{FHQV}$	$\overline{BYTE}$ High to Output Valid		Max	30	30	ns

1. See [Table 19.: Ordering information scheme](#) for combinations.
2. Sampled only, not 100% tested.



Figure 16. Write AC waveforms, chip enable controlled

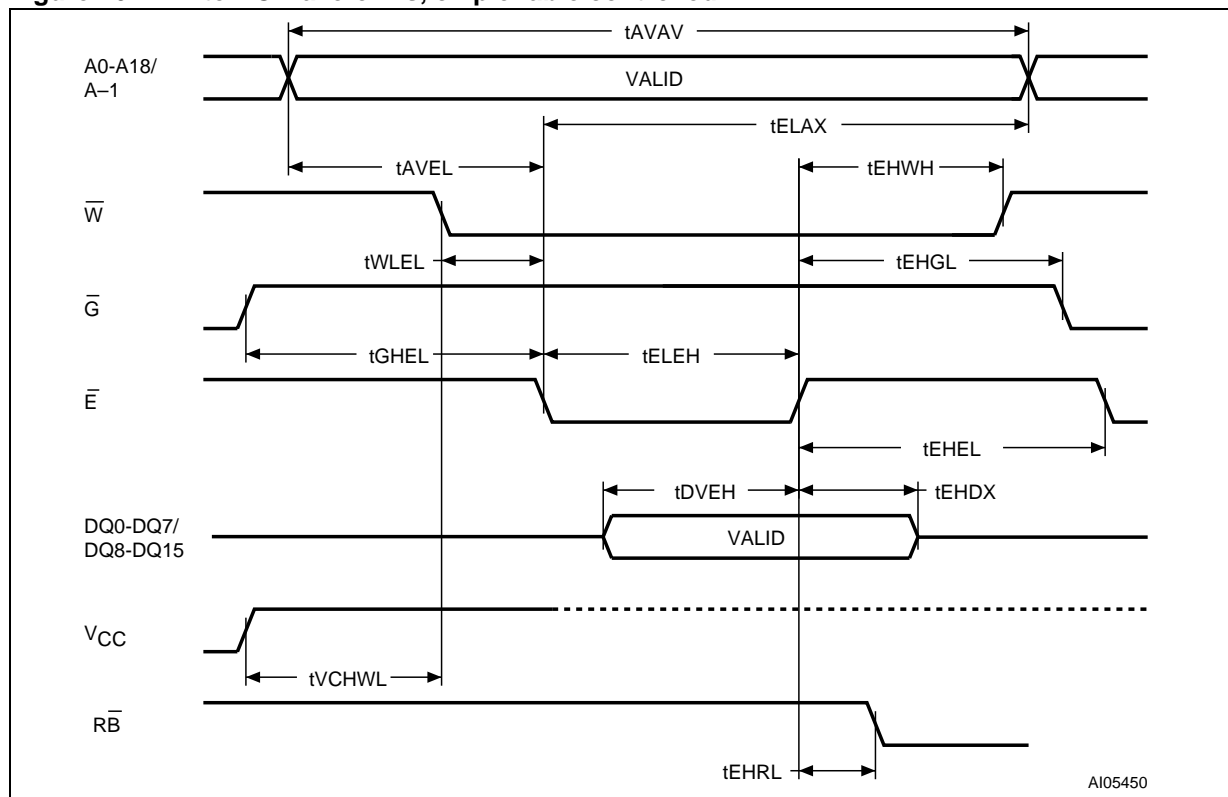


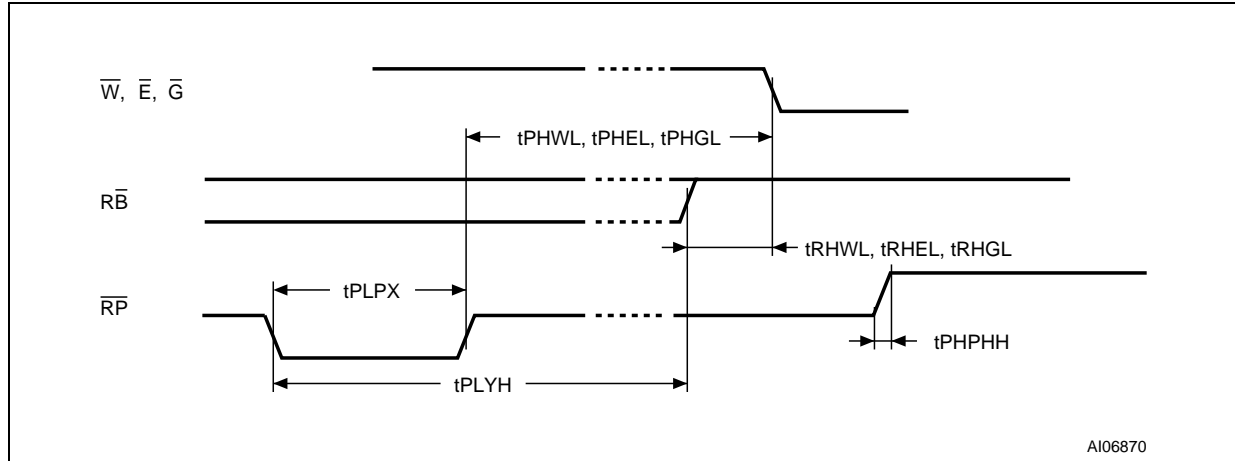
Table 15. Write AC characteristics, chip enable controlled

Symbol	Alt	Parameter		M29W800FT/B and M29W400FT/B		Unit
				5A/55 ns <sup>(1)</sup>	7A/70 ns <sup>(1)</sup>	
t <sub>AVAV</sub>	t <sub>WC</sub>	Address Valid to Next Address Valid	Min	55	70	ns
t <sub>WLEL</sub>	t <sub>WS</sub>	Write Enable Low to Chip Enable Low	Min	0	0	ns
t <sub>ELEH</sub>	t <sub>CP</sub>	Chip Enable Low to Chip Enable High	Min	45	45	ns
t <sub>DVEH</sub>	t <sub>DS</sub>	Input Valid to Chip Enable High	Min	45	45	ns
t <sub>EHDX</sub>	t <sub>DH</sub>	Chip Enable High to Input Transition	Min	0	0	ns
t <sub>EHWH</sub>	t <sub>WH</sub>	Chip Enable High to Write Enable High	Min	0	0	ns
t <sub>EHEL</sub>	t <sub>CPH</sub>	Chip Enable High to Chip Enable Low	Min	30	30	ns
t <sub>AVEL</sub>	t <sub>AS</sub>	Address Valid to Chip Enable Low	Min	0	0	ns
t <sub>ELAX</sub>	t <sub>AH</sub>	Chip Enable Low to Address Transition	Min	45	45	ns
t <sub>GHEL</sub>		Output Enable High Chip Enable Low	Min	0	0	ns
t <sub>EHGL</sub>	t <sub>OEH</sub>	Chip Enable High to Output Enable Low	Min	0	0	ns
t <sub>EHRL</sub> <sup>(2)</sup>	t <sub>BUSY</sub>	Program/Erase Valid to RB-bar Low	Max	30	30	ns
t <sub>VCHWL</sub>	t <sub>VCS</sub>	V <sub>CC</sub> High to Write Enable Low	Min	50	50	μs

1. See [Table 19: Ordering information scheme](#) for combinations.

2. Sampled only, not 100% tested.

Figure 17. Reset/block temporary unprotect AC waveforms



AI06870

Table 16. Reset/block temporary unprotect AC characteristics

Symbol	Alt	Parameter		M29W800FT/B and M29W400FT/B		Unit
				5A/55 ns <sup>(1)</sup>	7A/70 ns <sup>(1)</sup>	
t <sub>PHWL</sub> <sup>(2)</sup> t <sub>PHEL</sub> <sup>(3)</sup> t <sub>PHGL</sub> <sup>(3)</sup>	t <sub>RH</sub>	RP High to Write Enable Low, Chip Enable Low, Output Enable Low	Min	50	50	ns
t <sub>RHWL</sub> <sup>(3)</sup> t <sub>RHEL</sub> <sup>(3)</sup> t <sub>RHGL</sub> <sup>(3)</sup>	t <sub>RB</sub>	RB High to Write Enable Low, Chip Enable Low, Output Enable Low	Min	0	0	ns
t <sub>PLPX</sub>	t <sub>RP</sub>	RP pulse width	Min	500	500	ns
t <sub>PLYH</sub>	t <sub>READY</sub>	RP Low to read mode	Max	10	10	µs
t <sub>PHPHH</sub> <sup>(3)</sup>	t <sub>VIDR</sub>	RP rise time to V <sub>ID</sub>	Min	500	500	ns

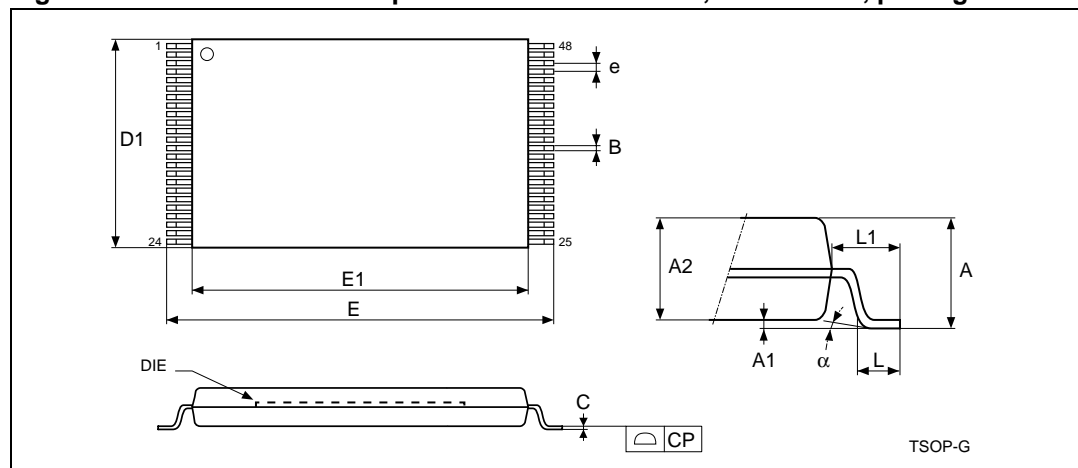
1. See [Table 19.: Ordering information scheme](#) for combinations.

2. Sampled only, not 100% tested.

## 8 Package mechanical data

In order to meet environmental requirements, Numonyx offers these devices in ECOPACK® packages. ECOPACK® packages are lead-free. The category of second level interconnect is marked on the package and on the inner box label, in compliance with JEDEC Standard JESD97. The maximum ratings related to soldering conditions are also marked on the inner box label.

**Figure 18. TSOP48 – 48 lead plastic thin small outline, 12 x 20 mm, package outline**

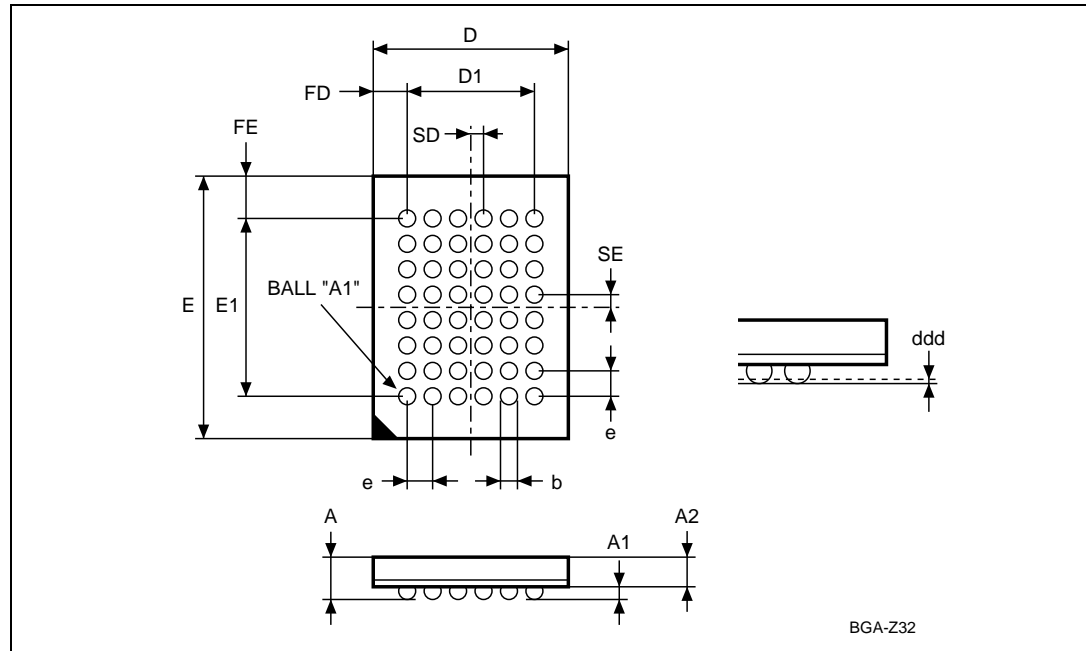


1. Drawing is not to scale.

**Table 17. TSOP48 – 48 lead plastic thin small outline, 12 x 20 mm, package mechanical data**

Symbol	millimeters			inches		
	Typ	Min	Max	Typ	Min	Max
A			1.20			0.047
A1	0.10	0.05	0.15	0.004	0.002	0.006
A2	1.00	0.95	1.05	0.039	0.037	0.041
B	0.22	0.17	0.27	0.009	0.007	0.011
C		0.10	0.21		0.004	0.008
CP			0.08			0.003
D1	12.00	11.90	12.10	0.472	0.468	0.476
E	20.00	19.80	20.20	0.787	0.779	0.795
E1	18.40	18.30	18.50	0.724	0.720	0.728
e	0.50	–	–	0.020	–	–
L	0.60	0.50	0.70	0.024	0.020	0.028
L1	0.80			0.031		
α	3°	0°	5°	3°	0°	5°

Figure 19. TFBGA48 6x8mm – 6 x 8 ball array - 0.80 mm pitch, bottom view package outline



1. Drawing is not to scale.

Table 18. TFBGA48 6 x 8mm – 6 x 8 active ball array – 0.80 mm pitch, package mechanical data

Symbol	millimeters			inches		
	Typ	Min	Max	Typ	Min	Max
A			1.20			0.047
A1		0.26			0.010	
A2			0.90			0.035
b		0.35	0.45		0.014	0.018
D	6.00	5.90	6.10	0.236	0.232	0.240
D1	4.00	–	–	0.157	–	–
ddd			0.10			0.004
E	8.00	7.90	8.10	0.315	0.311	0.319
E1	5.60	–	–	0.220	–	–
e	0.80	–	–	0.031	–	–
FD	1.00	–	–	0.039	–	–
FE	1.20	–	–	0.047	–	–
SD	0.40	–	–	0.016	–	–
SE	0.40	–	–	0.016	–	–



## 9 Ordering information

**Table 19. Ordering information scheme**

Example:	M29W800FB	7A	N	3	S	E
<b>Device type</b>						
M29 Parallel Flash Memory						
<b>Operating voltage</b>						
W = 2.7 V to 3.6 V main family						
<b>Device function</b>						
800F = 8 Mbit memory array, (x 8, x 16) 400F = 4 Mbit memory array (x 8, x 16)						
<b>Array matrix</b>						
T = Top boot B = Bottom boot						
<b>Speed Class</b>						
5A = 55 ns device <sup>(1)</sup> speed in conjunction with temperature range = 6 denotes Auto Grade –40 to 85 °C parts 55 = 55 ns device speed in conjunction with temperature range = 3 denotes Auto Grade –40 to 125 °C parts. 7A = 70 ns device <sup>(2)</sup> speed in conjunction with temperature range = 6 denotes Auto Grade –40 to 85 °C parts. 70 = 70 ns device speed in conjunction with temperature range = 3 denotes Auto Grade –40 to 125 °C parts.						
<b>Package</b>						
N = TSOP48: 12 x 20 mm ZA = TFBGA48: 6 x 8 mm, 0.80 mm pitch						
<b>Temperature range</b>						
6 = Temperature range, –40 to 85 °C. 3 = Automotive temperature range, –40 to 125 °C.						
<b>Voltage Option</b>						
<blank> = Must be present in Grade 6 ordering parts. S = Must be present in Grade 3 ordering parts and package code ZA.						
<b>Packing</b>						
T = Tape and Reel packing E = RoHS package, standard packing (tray) F = RoHS package, tape & reel packing						

1. The 55 ns device is available either in grade 3 or grade 6, only for M29W400F.

2. The 70 ns device is available for M29W800F.

For a list of available options (speed, package, etc.) or for further information on any aspect of this device, please contact your nearest Numonyx Sales Office.

## Appendix A Block address table

**Table 20. Top boot block addresses, M29W800FT**

#	Size (Kbytes)	Address range (× 8)	Address range (× 16)
18	16	FC000h-FFFFFFh	7E000h-7FFFFh
17	8	FA000h-FBFFFh	7D000h-7DFFFh
16	8	F8000h-F9FFFh	7C000h-7CFFFh
15	32	F0000h-F7FFFh	78000h-7BFFFh
14	64	E0000h-EFFFFh	70000h-77FFFh
13	64	D0000h-DFFFFh	68000h-6FFFFh
12	64	C0000h-CFFFFh	60000h-67FFFh
11	64	B0000h-BFFFFh	58000h-5FFFFh
10	64	A0000h-AFFFFh	50000h-57FFFh
9	64	90000h-9FFFFh	48000h-4FFFFh
8	64	80000h-8FFFFh	40000h-47FFFh
7	64	70000h-7FFFFh	38000h-3FFFFh
6	64	60000h-6FFFFh	30000h-37FFFh
5	64	50000h-5FFFFh	28000h-2FFFFh
4	64	40000h-4FFFFh	20000h-27FFFh
3	64	30000h-3FFFFh	18000h-1FFFFh
2	64	20000h-2FFFFh	10000h-17FFFh
1	64	10000h-1FFFFh	08000h-0FFFFh
0	64	00000h-0FFFFh	00000h-07FFFh

Table 21. Bottom boot block addresses, M29W800FB

#	Size (Kbytes)	Address range (× 8)	Address range (× 16)
18	64	F0000h-FFFFFh	78000h-7FFFFh
17	64	E0000h-EFFFFh	70000h-77FFFh
16	64	D0000h-DFFFFh	68000h-6FFFFh
15	64	C0000h-CFFFFh	60000h-67FFFh
14	64	B0000h-BFFFFh	58000h-5FFFFh
13	64	A0000h-AFFFFh	50000h-57FFFh
12	64	90000h-9FFFFh	48000h-4FFFFh
11	64	80000h-8FFFFh	40000h-47FFFh
10	64	70000h-7FFFFh	38000h-3FFFFh
9	64	60000h-6FFFFh	30000h-37FFFh
8	64	50000h-5FFFFh	28000h-2FFFFh
7	64	40000h-4FFFFh	20000h-27FFFh
6	64	30000h-3FFFFh	18000h-1FFFFh
5	64	20000h-2FFFFh	10000h-17FFFh
4	64	10000h-1FFFFh	08000h-0FFFFh
3	32	08000h-0FFFFh	04000h-07FFFh
2	8	06000h-07FFFh	03000h-03FFFh
1	8	04000h-05FFFh	02000h-02FFFh
0	16	00000h-03FFFh	00000h-01FFFh

**Table 22. Top boot block addresses M29W400FT**

#	Size (Kbytes)	Address range (x 8)	Address range (x 16)
10	16	7C000h-7FFFFh	3E000h-3FFFFh
9	8	7A000h-7BFFFh	3D000h-3DFFFh
8	8	78000h-79FFFh	3C000h-3CFFFh
7	32	70000h-77FFFh	38000h-3BFFFh
6	64	60000h-6FFFFh	30000h-37FFFh
5	64	50000h-5FFFFh	28000h-2FFFFh
4	64	40000h-4FFFFh	20000h-27FFFh
3	64	30000h-3FFFFh	18000h-1FFFFh
2	64	20000h-2FFFFh	10000h-17FFFh
1	64	10000h-1FFFFh	08000h-0FFFFh
0	64	00000h-0FFFFh	00000h-07FFFh

**Table 23. Bottom boot block addresses M29W400FB**

#	Size (Kbytes)	Address range (x 8)	Address range (x 16)
10	64	70000h-7FFFFh	38000h-3FFFFh
9	64	60000h-6FFFFh	30000h-37FFFh
8	64	50000h-5FFFFh	28000h-2FFFFh
7	64	40000h-4FFFFh	20000h-27FFFh
6	64	30000h-3FFFFh	18000h-1FFFFh
5	64	20000h-2FFFFh	10000h-17FFFh
4	64	10000h-1FFFFh	08000h-0FFFFh
3	32	08000h-0FFFFh	04000h-07FFFh
2	8	06000h-07FFFh	03000h-03FFFh
1	8	04000h-05FFFh	02000h-02FFFh
0	16	00000h-03FFFh	00000h-01FFFh

## Appendix B Common Flash interface (CFI)

The common Flash interface is a JEDEC approved, standardized data structure that can be read from the Flash memory device. It allows a system software to query the device to determine various electrical and timing parameters, density information and functions supported by the memory. The system can interface easily with the device, enabling the software to upgrade itself when necessary.

When the CFI Query command is issued the device enters CFI query mode and the data structure is read from the memory. [Table 24](#), [Table 25](#), [Table 26](#), [Table 27](#), [Table 28](#) and [Table 29](#) show the addresses used to retrieve the data.

The CFI data structure also contains a security area where a 64-bit unique security number is written (see [Table 29: Security code area](#)). This area can be accessed only in read mode by the final user. It is impossible to change the security number after it has been written by Numonyx. Issue a Read command to return to read mode.

**Table 24. Query structure overview <sup>(1)</sup>**

Address		Sub-section name	Description
x 16	x 8		
10h	20h	CFI query identification string	Command set ID and algorithm data offset
1Bh	36h	System interface information	Device timing & voltage information
27h	4Eh	Device geometry definition	Flash device layout
40h	80h	Primary algorithm-specific extended query table	Additional information specific to the primary algorithm (optional)
61h	C2h	Security code area	64-bit unique device number

1. Query data are always presented on the lowest order data outputs.

**Table 25. CFI query identification string <sup>(1)</sup>**

Address		Data	Description	Value
x 16	x 8			
10h	20h	0051h	Query unique ASCII string 'QRY'	'Q'
11h	22h	0052h		'R'
12h	24h	0059h		'Y'
13h	26h	0002h	Primary algorithm command set and control interface ID code 16-bit ID code defining a specific algorithm	AMD compatible
14h	28h	0000h		
15h	2Ah	0040h	Address for primary algorithm extended query table (see <a href="#">Table 28: Primary algorithm-specific extended query table</a> )	P = 40h
16h	2Ch	0000h		
17h	2Eh	0000h	Alternate vendor command set and control interface ID code second vendor - specified algorithm supported	NA
18h	30h	0000h		
19h	32h	0000h	Address for alternate algorithm extended query table	NA
1Ah	34h	0000h		

1. Query data are always presented on the lowest order data outputs (DQ7-DQ0) only. DQ8-DQ15 are '0'.

**Table 26. CFI query system interface information**

Address		Data	Description	Value
x 16	x 8			
1Bh	36h	0027h	V <sub>CC</sub> logic supply minimum program/erase voltage bit 7 to 4BCD value in volts bit 3 to 0BCD value in 100 mV	2.7 V
1Ch	38h	0036h	V <sub>CC</sub> logic supply maximum program/erase voltage bit 7 to 4BCD value in volts bit 3 to 0BCD value in 100 mV	3.6 V
1Dh	3Ah	0000h	V <sub>PP</sub> [programming] supply minimum program/erase voltage	NA
1Eh	3Ch	0000h	V <sub>PP</sub> [programming] supply maximum program/erase voltage	NA
1Fh	3Eh	0004h	Typical timeout per single byte/word program = 2 <sup>n</sup> μs	16 μs
20h	40h	0000h	Typical timeout for minimum size write buffer program = 2 <sup>n</sup> μs	NA
21h	42h	000Ah	Typical timeout per individual block erase = 2 <sup>n</sup> ms	1 s
22h	44h	0000h	Typical timeout for full chip erase = 2 <sup>n</sup> ms <sup>(1)</sup>	
23h	46h	0004h	Maximum timeout for byte/word program = 2 <sup>n</sup> times typical	256 μs
24h	48h	0000h	Maximum timeout for write buffer program = 2 <sup>n</sup> times typical	NA
25h	4Ah	0003h	Maximum timeout per individual block erase = 2 <sup>n</sup> times typical	8 s
26h	4Ch	0000h	Maximum timeout for chip erase = 2 <sup>n</sup> times typical <sup>(1)</sup>	

1. Not supported in the CFI.

Table 27. Device geometry definition

Address		Data	Description	Value
x 16	x 8			
27h	4Eh	0014h	Device size = 2 <sup>n</sup> in number of bytes	1 Mbyte
28h 29h	50h 52h	0002h 0000h	Flash device interface code description	x 8, x 16 async.
2Ah 2Bh	54h 56h	0000h 0000h	Maximum number of bytes in multi-byte program or page = 2 <sup>n</sup>	NA
2Ch	58h	0004h	Number of erase block regions within the device. It specifies the number of regions within the device containing contiguous erase blocks of the same size.	4
2Dh 2Eh	5Ah 5Ch	0000h 0000h	Region 1 information Number of identical size erase block = 0000h+1	1
2Fh 30h	5Eh 60h	0040h 0000h	Region 1 information Block size in region 1 = 0040h * 256 bytes	16 Kbytes
31h 32h	62h 64h	0001h 0000h	Region 2 information Number of identical size erase block = 0001h+1	2
33h 34h	66h 68h	0020h 0000h	Region 2 information Block size in region 2 = 0020h * 256 bytes	8 Kbytes
35h 36h	6Ah 6Ch	0000h 0000h	Region 3 information Number of identical size erase block = 0000h+1	1
37h 38h	6Eh 70h	0080h 0000h	Region 3 information Block size in region 3 = 0080h * 256 bytes	32 Kbytes
39h 3Ah	72h 74h	000Eh 0000h	Region 4 information Number of identical-size erase block = 000Eh+1	15
3Bh 3Ch	76h 78h	0000h 0001h	Region 4 information Block size in region 4 = 0100h * 256 bytes	64 Kbytes



**Table 28. Primary algorithm-specific extended query table**

Address		Data	Description	Value
x 16	x 8			
40h	80h	0050h	Primary algorithm extended query table unique ASCII string 'PRI'	'P'
41h	82h	0052h		'R'
42h	84h	0049h		'I'
43h	86h	0031h	Major version number, ASCII	'1'
44h	88h	0030h	Minor version number, ASCII	'0'
45h	8Ah	0000h	Address sensitive unlock (bits 1 to 0) 00 = required, 01 = not required Silicon revision number (bits 7 to 2)	Yes
46h	8Ch	0002h	Erase suspend 00 = not supported, 01 = read only, 02 = read and write	2
47h	8Eh	0001h	Block protection 00 = not supported, x = number of sectors in per group	1
48h	90h	0001h	Temporary block unprotect 00 = not supported, 01 = supported	Yes
49h	92h	0004h	Block protect /unprotect	4
4Ah	94h	0000h	Simultaneous operations, 00 = not supported	No
4Bh	96h	0000h	Burst mode, 00 = not supported, 01 = supported	No
4Ch	98h	0000h	Page mode, 00 = not supported, 01 = 4 page word, 02 = 8 page word	No

**Table 29. Security code area**

Address		Data	Description
x 16	x 8		
61h	C3h, C2h	XXXX	64 bit: unique device number
62h	C5h, C4h	XXXX	
63h	C7h, C6h	XXXX	
64h	C9h, C8h	XXXX	

## Appendix C Block protection

Block protection can be used to prevent any operation from modifying the data stored in the Flash. Each block can be protected individually. Once protected, program and erase operations on the block fail to change the data.

There are three techniques that can be used to control block protection, these are the programmer technique, the in-system technique and temporary unprotection. Temporary unprotection is controlled by the Reset/Block Temporary Unprotection pin,  $\overline{RP}$ ; this is described in the [Section 2: Signal descriptions](#).

Unlike the command interface of the program/erase controller, the techniques for protecting and unprotecting blocks change between different Flash memory suppliers. For example, the techniques for AMD parts will not work on Numonyx parts. Care should be taken when changing drivers for one part to work on another.

### C.1 Programmer technique

The programmer technique uses high ( $V_{ID}$ ) voltage levels on some of the bus pins. These cannot be achieved using a standard microprocessor bus, therefore the technique is recommended only for use in programming equipment.

To protect a block follow the flowchart in [Figure 20: Programmer equipment block protect flowchart](#). To unprotect the whole chip it is necessary to protect all of the blocks first, then all blocks can be unprotected at the same time. To unprotect the chip follow [Figure 21: Programmer equipment chip unprotect flowchart](#). [Table 30: Programmer technique bus operations, BYTE = VIH or VIL](#), gives a summary of each operation.

The timing on these flowcharts is critical. Care should be taken to ensure that, where a pause is specified, it is followed as closely as possible. Do not abort the procedure before reaching the end. Chip unprotect can take several seconds and a user message should be provided to show that the operation is progressing.

### C.2 In-system technique

The in-system technique requires a high voltage level on the Reset/Blocks Temporary Unprotect pin,  $\overline{RP}$ . This can be achieved without violating the maximum ratings of the components on the microprocessor bus, therefore this technique is suitable for use after the Flash has been fitted to the system.

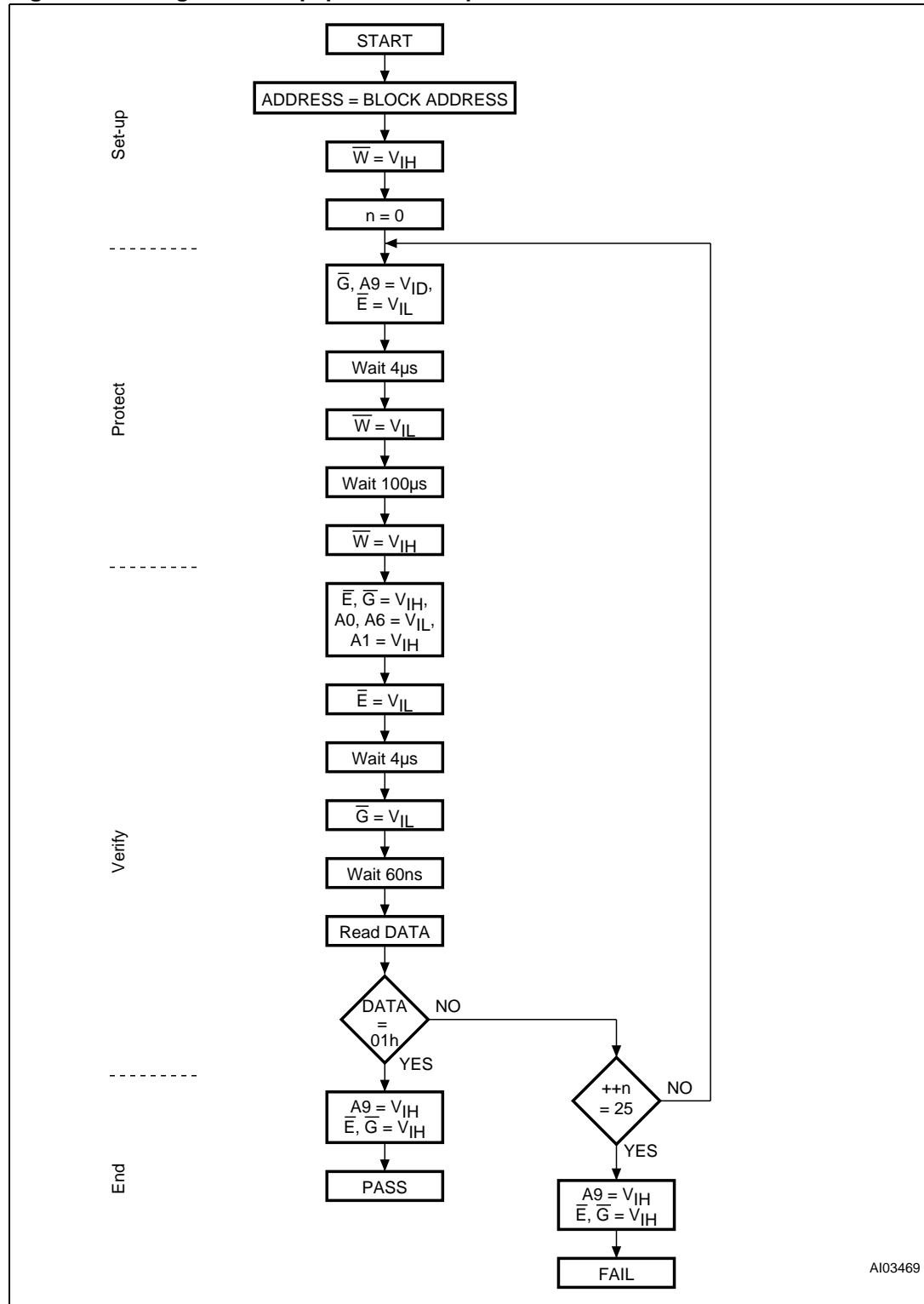
To protect a block follow the flowchart in [Figure 22: In-system equipment block protect flowchart](#). To unprotect the whole chip it is necessary to protect all of the blocks first, then all the blocks can be unprotected at the same time. To unprotect the chip follow [Figure 23: In-system equipment chip unprotect flowchart](#).

The timing on these flowcharts is critical. Care should be taken to ensure that, where a pause is specified, it is followed as closely as possible. Do not allow the microprocessor to service interrupts that will upset the timing and do not abort the procedure before reaching the end. Chip unprotect can take several seconds and a user message should be provided to show that the operation is progressing.

Table 30. Programmer technique bus operations,  $\overline{\text{BYTE}} = V_{\text{IH}}$  or  $V_{\text{IL}}$ 

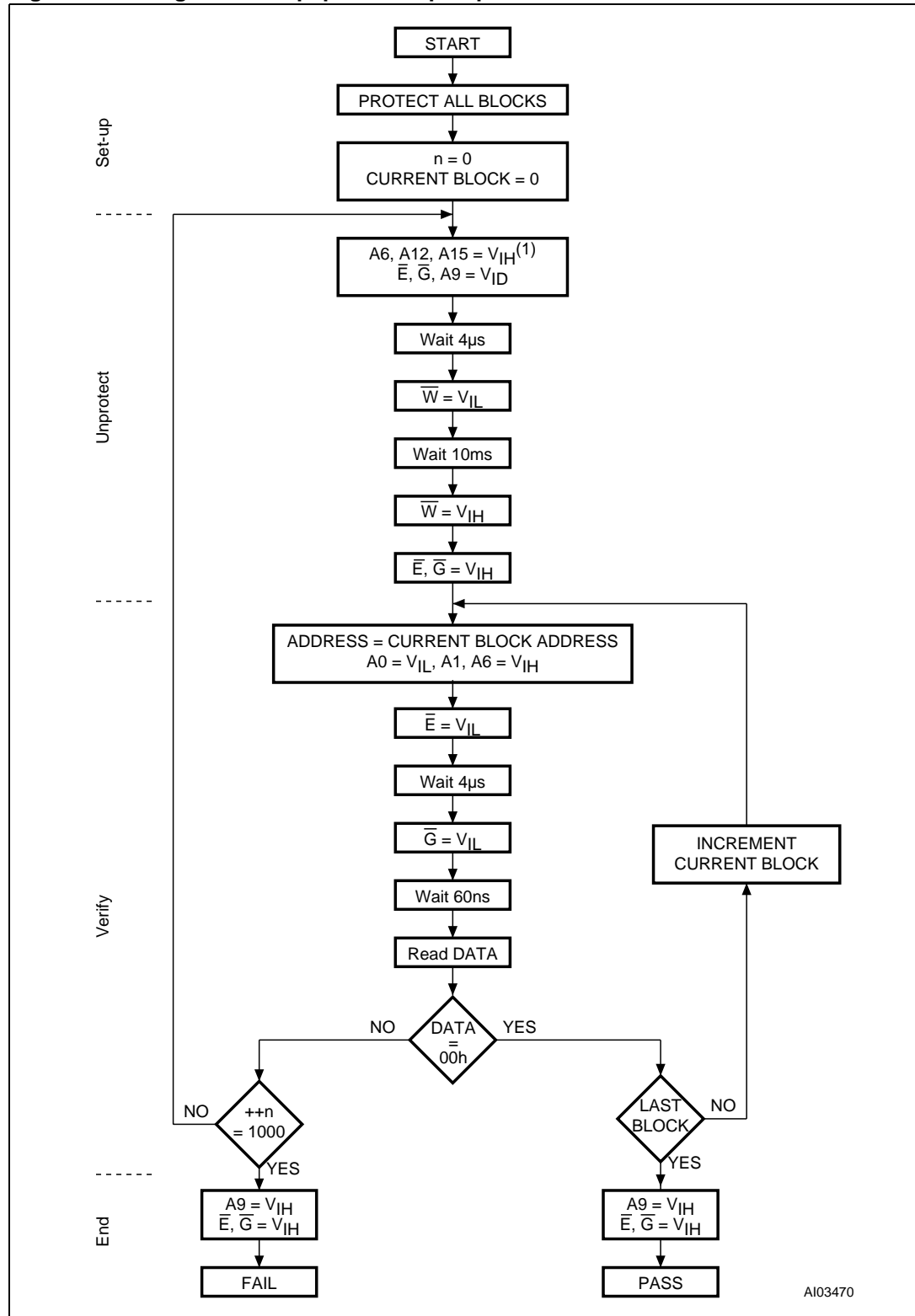
Operation	$\overline{\text{E}}$	$\overline{\text{G}}$	$\overline{\text{W}}$	Address inputs A0-A18	Data inputs/outputs DQ15A-1, DQ14-DQ0
Block protect	$V_{\text{IL}}$	$V_{\text{ID}}$	$V_{\text{IL}}$ pulse	A9 = $V_{\text{ID}}$ , A12-A18 block address Others = X	X
Chip unprotect	$V_{\text{ID}}$	$V_{\text{ID}}$	$V_{\text{IL}}$ pulse	A9 = $V_{\text{ID}}$ , A12 = $V_{\text{IH}}$ , A15 = $V_{\text{IH}}$ others = X	X
Block protection verify	$V_{\text{IL}}$	$V_{\text{IL}}$	$V_{\text{IH}}$	A0 = $V_{\text{IL}}$ , A1 = $V_{\text{IH}}$ , A6 = $V_{\text{IL}}$ , A9 = $V_{\text{ID}}$ , A12-A18 block address others = X	Pass = XX01h Retry = XX00h
Block unprotection verify	$V_{\text{IL}}$	$V_{\text{IL}}$	$V_{\text{IH}}$	A0 = $V_{\text{IL}}$ , A1 = $V_{\text{IH}}$ , A6 = $V_{\text{IH}}$ , A9 = $V_{\text{ID}}$ , A12-A18 block address others = X	Retry = XX01h Pass = XX00h

Figure 20. Programmer equipment block protect flowchart



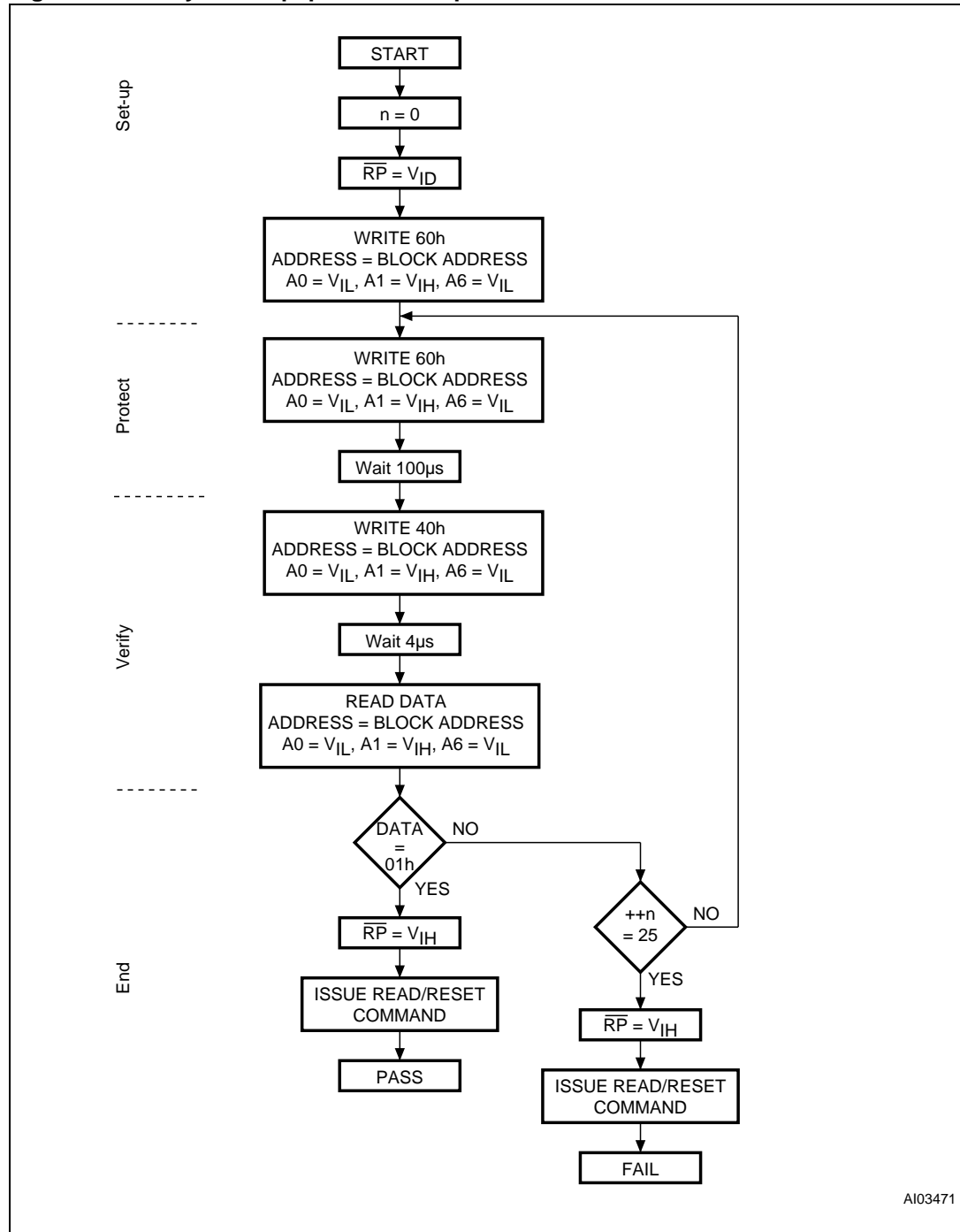
AI03469

Figure 21. Programmer equipment chip unprotect flowchart



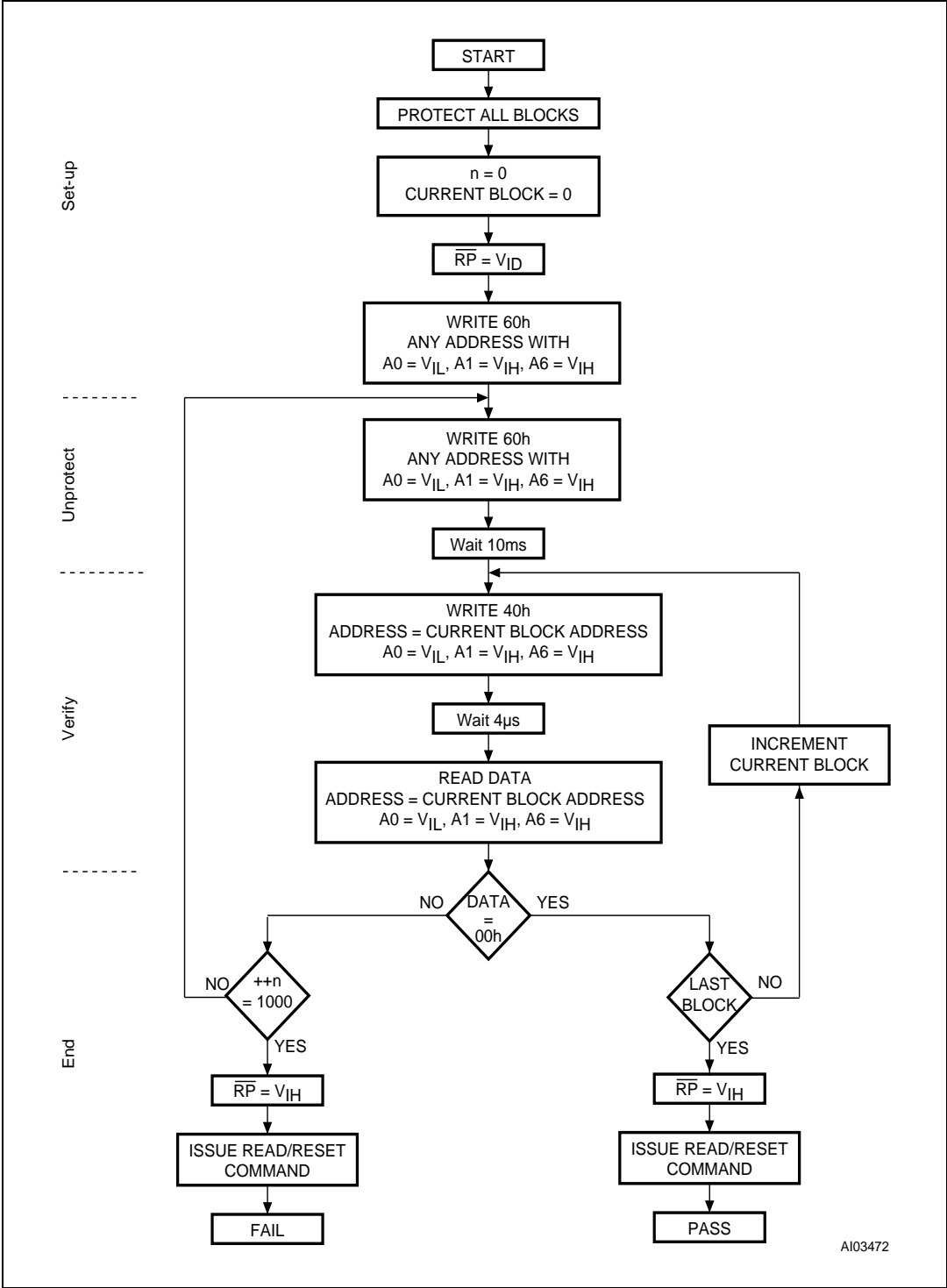
AI03470

Figure 22. In-system equipment block protect flowchart



AI03471

Figure 23. In-system equipment chip unprotect flowchart



AI03472

## 10 Revision history

**Table 31. Document revision history**

Date	Revision	Changes
19-Feb-2007	1	Initial release.
17-Mar-2008	2	Added TFBGA package. Minor text changes.
28-Mar-2008	3	Applied Numonyx branding.
26-May-2009	4	Added support for 400FT/B
22-Feb-2010	5	Changes cover page as following: – Revised memory block information to include 19 memory blocks for M29W800F and 11 memory blocks for M29W400F. – Removed references to 90 ns device for KGD. Removed 90 ns device information which applies only to KGD.
19-July-2010	6	Added/revised information for 400F and 800F devices in <a href="#">Table 6: Program, erase times and endurance cycles, 400F on page 25</a> and <a href="#">Table 7: Program, erase times and endurance cycles, 800F on page 26</a> . Added tAVEL to <a href="#">Table 14: Write AC characteristics, write enable controlled on page 35</a> . Revised <a href="#">Table 19: Ordering information scheme on page 40</a> .



**Please Read Carefully:**

INFORMATION IN THIS DOCUMENT IS PROVIDED IN CONNECTION WITH NUMONYX™ PRODUCTS. NO LICENSE, EXPRESS OR IMPLIED, BY ESTOPPEL OR OTHERWISE, TO ANY INTELLECTUAL PROPERTY RIGHTS IS GRANTED BY THIS DOCUMENT. EXCEPT AS PROVIDED IN NUMONYX'S TERMS AND CONDITIONS OF SALE FOR SUCH PRODUCTS, NUMONYX ASSUMES NO LIABILITY WHATSOEVER, AND NUMONYX DISCLAIMS ANY EXPRESS OR IMPLIED WARRANTY, RELATING TO SALE AND/OR USE OF NUMONYX PRODUCTS INCLUDING LIABILITY OR WARRANTIES RELATING TO FITNESS FOR A PARTICULAR PURPOSE, MERCHANTABILITY, OR INFRINGEMENT OF ANY PATENT, COPYRIGHT OR OTHER INTELLECTUAL PROPERTY RIGHT.

Numonyx products are not intended for use in medical, life saving, life sustaining, critical control or safety systems, or in nuclear facility applications.

Numonyx may make changes to specifications and product descriptions at any time, without notice.

Numonyx, B.V. may have patents or pending patent applications, trademarks, copyrights, or other intellectual property rights that relate to the presented subject matter. The furnishing of documents and other materials and information does not provide any license, express or implied, by estoppel or otherwise, to any such patents, trademarks, copyrights, or other intellectual property rights.

Designers must not rely on the absence or characteristics of any features or instructions marked "reserved" or "undefined." Numonyx reserves these for future definition and shall have no responsibility whatsoever for conflicts or incompatibilities arising from future changes to them.

Contact your local Numonyx sales office or your distributor to obtain the latest specifications and before placing your product order.

Copies of documents which have an order number and are referenced in this document, or other Numonyx literature may be obtained by visiting Numonyx's website at <http://www.numonyx.com>.

Numonyx StrataFlash is a trademark or registered trademark of Numonyx or its subsidiaries in the United States and other countries.

\*Other names and brands may be claimed as the property of others.

Copyright © 2010, Numonyx, B.V., All Rights Reserved.