

# Commercial and Industrial DDR3(L) 4Gb SDRAM

## Features

- **Basis DDR3 Compliant**
  - 8n Prefetch Architecture
  - Differential Clock(CK/ $\overline{CK}$ ) and Data Strobe(DQS/ $\overline{DQS}$ )
  - Double-data rate on DQs, DQS and DM
- **Data Integrity**
  - Auto Self Refresh (ASR) by DRAM built-in TS
  - Auto Refresh and Self Refresh Modes
- **Power Saving Mode**
  - Power Down Mode
- **Signal Integrity**
  - Configurable DS for system compatibility
  - Configurable On-Die Termination
  - ZQ Calibration for DS/ODT impedance accuracy via external ZQ pad (240 ohm  $\pm$  1%)
- **Signal Synchronization**
  - Write Leveling via MR settings <sup>5</sup>
  - Read Leveling via MPR
- **Interface and Power Supply**
  - SSTL\_15 for DDR3:VDD/VDDQ=1.5V( $\pm$ 0.075V)
  - SSTL\_135<sup>2</sup> for DDR3L:VDD/VDDQ=1.35V(-0.067/+0.1V)

## Options

- **Speed Grade (CL-TRCD-TRP) <sup>1</sup>**
  - 2133 Mbps / 14-14-14
  - 1866 Mbps / 13-13-13
  - 1600 Mbps / 11-11-11
- **Temperature Range ( $T_c$ ) <sup>3</sup>**
  - Commercial Grade = 0°C~95°C
  - Quasi Industrial Grade (-T) = -40°C~95°C
  - Industrial Grade (-I) = -40°C~95°C

## Programmable Functions

- **CAS Latency (6/7/8/9/10/11/13/14)**
- **CAS Write Latency (5/6/7/8/9/10)**
- **Additive Latency (0/CL-1/CL-2)**
- **Write Recovery Time (5/6/7/8/10/12/14/16)**
- **Burst Type (Sequential/Interleaved)**
- **Burst Length (BL8/BC4/BC4 or 8 on the fly)**
- **Self Refresh Temperature Range(Normal/Extended)**
- **Output Driver Impedance (34/40)**
- **On-Die Termination of Rtt\_Nom(20/30/40/60/120)**
- **On-Die Termination of Rtt\_WR(60/120)**
- **Precharge Power Down (slow/fast)**

## Packages / Density Information

### Lead-free RoHS compliance and Halogen-free

4Gb (Org. / Package)		Length x Width (mm)	Ball pitch (mm)
512Mb x 8	78-ball TFBGA	8.00 x 10.50	0.80
256Mb x 16	96-ball TFBGA	8.00 x 13.00	0.80

### Density and Addressing

Organization	512Mb x 8	256Mb x 16
Bank Address	BA0 – BA2	BA0 – BA2
Auto precharge	A10 / AP	A10 / AP
BL switch on the fly	A12 / $\overline{BC}$	A12 / $\overline{BC}$
Row Address	A0 – A15	A0 – A14
Column Address	A0 – A9	A0 – A9
Page Size	1KB	2KB
tREFI(us) <sup>3</sup>	$T_c \leq 85^\circ\text{C}$ :7.8, $T_c > 85^\circ\text{C}$ :3.9	
tRFC(ns) <sup>4</sup>	260ns	

NOTE 1 Please refer to ordering information for the detail.

NOTE 2 1.35V DDR3L are backward compatible to 1.5V DDR3 parts. Please refer to page 5 operating frequency table

NOTE 3 If  $T_c$  exceeds 85°C, the DRAM must be refreshed externally at 2x refresh, which is a 3.9us interval refresh rate. Extended SRT or ASR must be enabled.

NOTE 4 Violating tRFC specification will induce malfunction.

NOTE 5 Only Support prime DQ's feedback for each byte lane.

## Fundamental AC Specifications – Core Timing

### DDR3-2133, DDR3(L)-1866, DDR3(L)-1600 and DDR3(L)-1333

Speed Bins	DDR3-2133		DDR3(L)-1866		DDR3(L)-1600		DDR3(L)-1333				Unit
	14-14-14		13-13-13		11-11-11		9-9-9		10-10-10		
Parameter	Min	Max	Min	Max	Min	Max	Min	Max	Min	Max	
<b>tAA</b>	13.09	20	13.91	20	13.75	20	13.5	20	15	20	ns
<b>tRCD</b>	13.09	-	13.91	-	13.75	-	13.5	-	15	-	ns
<b>tRP</b>	13.09	-	13.91	-	13.75	-	13.5	-	15	-	ns
<b>tRC</b>	46.09	-	47.91	-	48.75	-	49.5	-	51	-	ns
<b>tRAS</b>	33	9*tREFI	34	9*tREFI	35	9*tREFI	36	9*tREFI	36	9*tREFI	ns

### DDR3(L)-1066 and DDR3-800

Speed Bins	DDR3(L)-1066				DDR3-800		Unit
	7-7-7		8-8-8		6-6-6		
Parameter	Min	Max	Min	Max	Min	Max	
<b>tAA</b>	13.125	20	15	20	15	20	ns
<b>tRCD</b>	13.125	-	15	-	15	-	ns
<b>tRP</b>	13.125	-	15	-	15	-	ns
<b>tRC</b>	50.625	-	52.5	-	52.5	-	ns
<b>tRAS</b>	37.5	9*tREFI	37.5	9*tREFI	37.5	9*tREFI	ns

## Descriptions

The 4Gb Double-Data-Rate-3 (DDR3(L)) DRAM is a high-speed CMOS SDRAM containing 4,294,967,296 bits. It is internally configured as an octal-bank DRAM.

The 4Gb chip is organized as 64Mbit x 8 I/O x 8 banks and 32Mbit x16 I/O x 8 banks. These synchronous devices achieve high speed double-data-rate transfer rates of up to 2133 Mb/sec/pin for general applications.

The chip is designed to comply with all key DDR3(L) DRAM key features and all of the control and address inputs are synchronized with a pair of externally supplied differential clocks. Inputs are latched at the cross point of differential clocks (CK rising and  $\overline{CK}$  falling). All I/Os are synchronized with a single ended DQS or differential DQS pair in a source synchronous fashion.

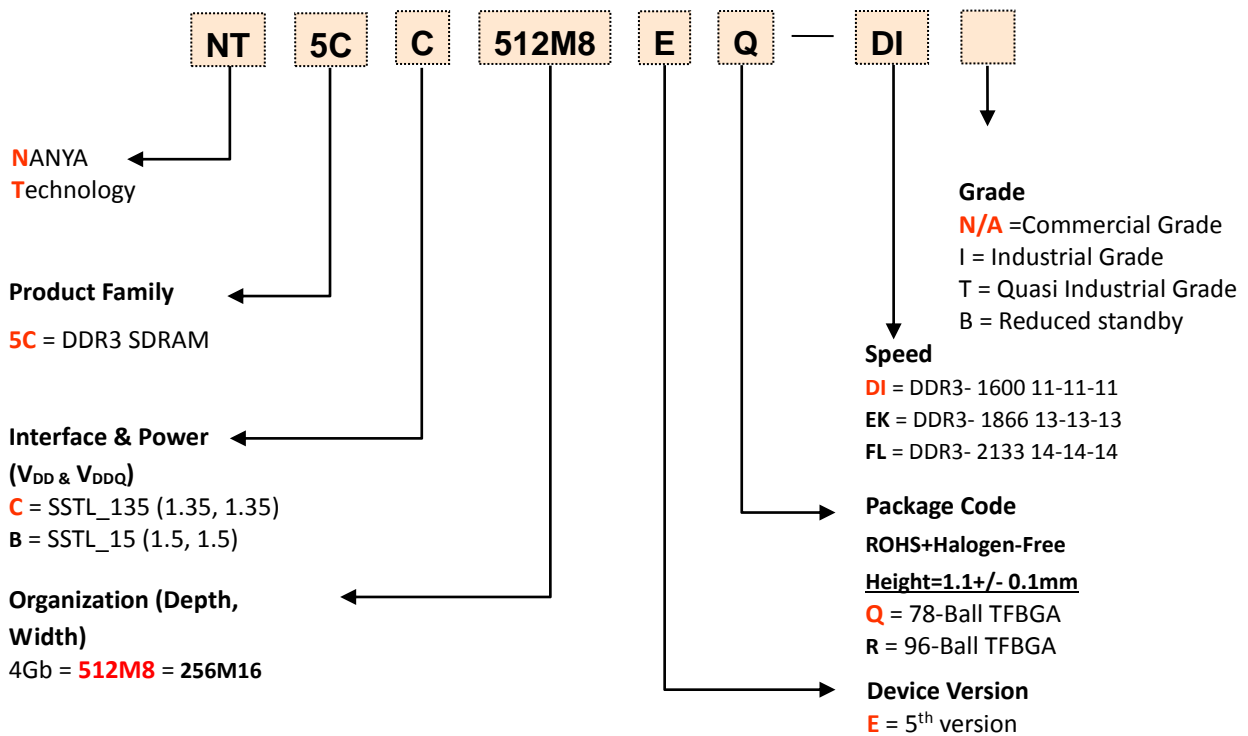
These devices operate with a single 1.5V  $\pm$  0.075V or 1.35V -0.067V/+0.1V power supply and are available in BGA packages.

## Ordering Information

Organization	Part Number	Package	Speed				
			Clock (MHz)	Data Rate (Mb/s)	CL-TRCD-TRP		
<b>DDR3(L) Commercial Grade</b>							
512M x 8	NT5CC512M8EQ-DIB	78-Ball	800	DDR3L-1600 <sup>1</sup>	11-11-11		
	NT5CC512M8EQ-DI		800	DDR3L-1600 <sup>1</sup>	11-11-11		
	NT5CB512M8EQ-DI		800	DDR3-1600	11-11-11		
	NT5CC512M8EQ-EK		933	DDR3L-1866 <sup>1</sup>	13-13-13		
	NT5CB512M8EQ-EK		933	DDR3-1866	13-13-13		
	NT5CB512M8EQ-FL		1066	DDR3-2133	14-14-14		
256M x 16	NT5CC256M16ER-DIB	96-Ball	800	DDR3L-1600 <sup>1</sup>	11-11-11		
	NT5CC256M16ER-DI		800	DDR3L-1600 <sup>1</sup>	11-11-11		
	NT5CB256M16ER-DI		800	DDR3-1600	11-11-11		
	NT5CC256M16ER-EK		933	DDR3L-1866 <sup>1</sup>	13-13-13		
	NT5CB256M16ER-EK		933	DDR3-1866	13-13-13		
	NT5CB256M16ER-FL		1066	DDR3-2133	14-14-14		
<b>DDR3(L) Industrial Grade</b>							
512M x 8	NT5CC512M8EQ-DII	78-Ball	800	DDR3L-1600 <sup>1</sup>	11-11-11		
	NT5CB512M8EQ-DII		800	DDR3-1600	11-11-11		
	NT5CC512M8EQ-EKI		933	DDR3L-1866 <sup>1</sup>	13-13-13		
	NT5CB512M8EQ-EKI		933	DDR3-1866	13-13-13		
	NT5CB512M8EQ-FLI		1066	DDR3-2133	14-14-14		
	NT5CC256M16ER-DII		800	DDR3L-1600 <sup>1</sup>	11-11-11		
256M x 16	NT5CB256M16ER-DII	96-Ball	800	DDR3-1600	11-11-11		
	NT5CC256M16ER-EKI		933	DDR3L-1866 <sup>1</sup>	13-13-13		
	NT5CB256M16ER-EKI		933	DDR3-1866	13-13-13		
	NT5CB256M16ER-FLI		1066	DDR3-2133	14-14-14		
	<b>DDR3(L) Quasi Industrial Grade</b>						
	512M x 8		NT5CC512M8EQ-DIT	78-Ball	800	DDR3L-1600 <sup>1</sup>	11-11-11
NT5CB512M8EQ-DIT		800	DDR3-1600		11-11-11		
NT5CC512M8EQ-EKT		933	DDR3L-1866 <sup>1</sup>		13-13-13		
NT5CB512M8EQ-EKT		933	DDR3-1866		13-13-13		
256M x 16	NT5CC256M16ER-DIT	96-Ball	800	DDR3L-1600 <sup>1</sup>	11-11-11		
	NT5CB256M16ER-DIT		800	DDR3-1600	11-11-11		
	NT5CC256M16ER-EKT		933	DDR3L-1866 <sup>1</sup>	13-13-13		
	NT5CB256M16ER-EKT		933	DDR3-1866	13-13-13		

NOTE 1 1.35V DDR3L are backward compatible to 1.5V DDR3 parts. Please refer to page 5 operating frequency table. 1.35V DDR3L-RS parts are exceptional and unallowable to be compatible to 1.35V DDR3L and 1.5V DDR3 parts.

## NANYA Component Part Number Guide



### Operating frequency

The backward compatibility of each speed grade is listed in a table below. If an application operates at specific frequency which is not defined herein but within the highest and the lowest supporting grade, then the comparative loose specifications to DRAM must be adopted from the neighboring defined speed bins. Pls confirm notices with NTC for operating frequency slower than defined speed bins.

Frequency[Mbps]	2133		1866		1600		1333		1066		800
CL[nCK]	14		13		11		9 or 10		7 or 8		6
VDD[V]	1.5		1.35	1.5	1.35	1.5	1.35	1.5	1.35	1.5	1.5
NT5CB512M8EQ-FL(I)	2133		1866		1600		1333		1066		800
NT5CB256M16ER-FL(I)	2133		1866		1600		1333		1066		800
NT5CB512M8EQ-EK(I/T)	N/A		N/A	1866	1600		1333		1066		800
NT5CB256M16ER-EK(I/T)	N/A		N/A	1866	1600		1333		1066		800
NT5CB512M8EQ-DI(I/T)	N/A		N/A		N/A	1600	1333		1066		800
NT5CB256M16ER-DI(I/T)	N/A		N/A		N/A	1600	1333		1066		800
NT5CC512M8EQ-EK(I/T)	N/A		1866		1600		1333		1066		800
NT5CC256M16ER-EK(I/T)	N/A		1866		1600		1333		1066		800
NT5CC512M8EQ-DI(B/I/T)	N/A		N/A		1600		1333		1066		800
NT5CC256M16ER-DI(B/I/T)	N/A		N/A		1600		1333		1066		800

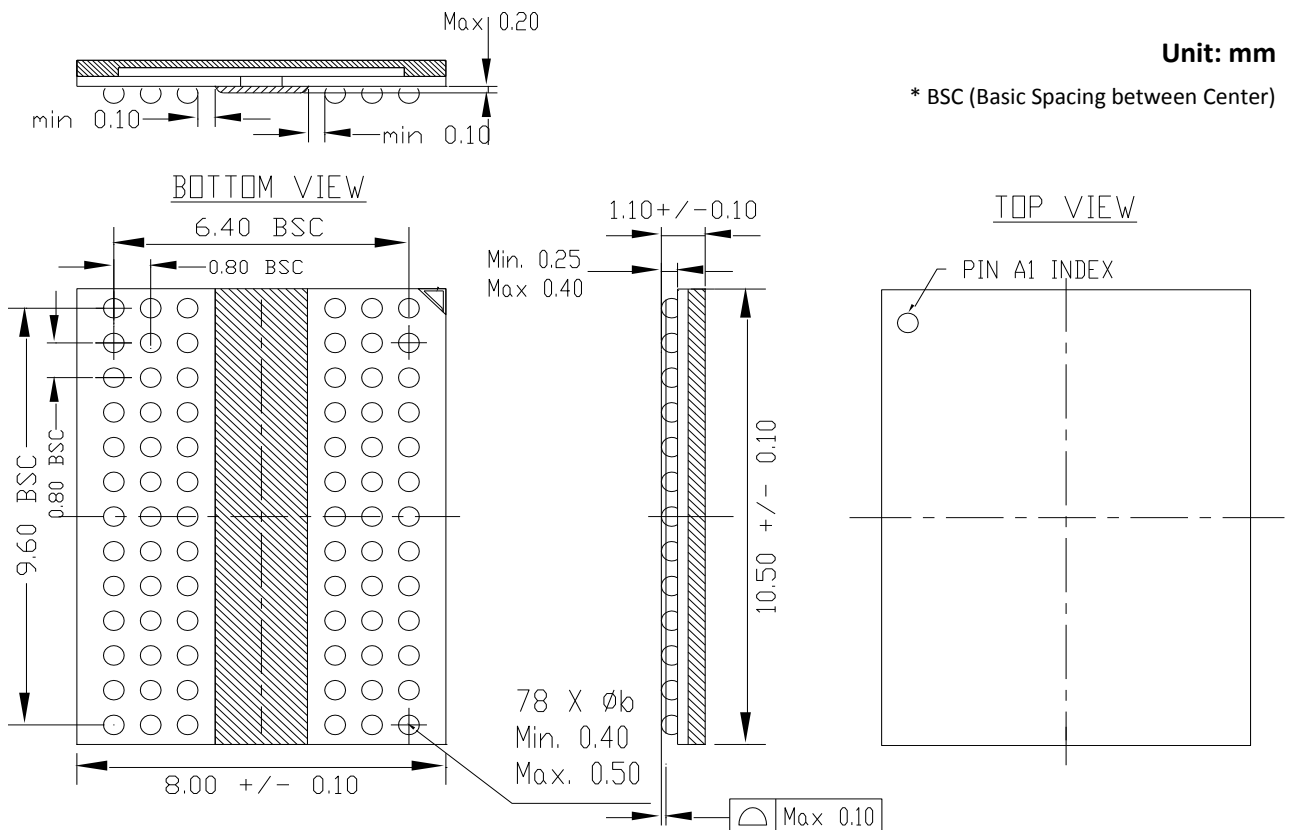
## Ball Configuration – 78 Ball TFBGA Package (X8)

### <TOP View>

See the balls through the package

	1	2	3	4	5	6	7	8	9	
A	○○○+	+++○○○	VSS	VDD	NC	NU,TDQS	VSS	VDD	A	
B	○○○+	+++○○○	VSS	VSSQ	DQ0	DM,TDQS	VSSQ	VDDQ	B	
C	○○○+	+++○○○	VDDQ	DQ2	DQS	DQ1	DQ3	VSSQ	C	
D	○○○+	+++○○○	VSSQ	DQ6	$\overline{DQS}$	VDD	VSS	VSSQ	D	
E	○○○+	+++○○○	VREFDQ	VDDQ	DQ4	DQ7	DQ5	VDDQ	E	
F	○○○+	+++○○○	NC	VSS	$\overline{RAS}$	CK	VSS	NC	F	
G	○○○+	+++○○○	ODT	VDD	$\overline{CAS}$	$\overline{CK}$	VDD	CKE	G	
H	○○○+	+++○○○	NC	$\overline{CS}$	$\overline{WE}$	A10/AP	ZQ	NC	H	
J	○○○+	+++○○○	VSS	BA0	BA2	A15	VREFCA	VSS	J	
K	○○○+	+++○○○	VDD	A3	A0	A12/ $\overline{BC}$	BA1	VDD	K	
L	○○○+	+++○○○	VSS	A5	A2	A1	A4	VSS	L	
M	○○○+	+++○○○	VDD	A7	A9	A11	A6	VDD	M	
N	○○○+	+++○○○	VSS	RESET	A13	A14	A8	VSS	N	
	1	2	3	4	5	6	7	8	9	

### Package Outline Drawing



## Ball Configuration – 96 Ball TFBGA Package (X16)

### <TOP View>

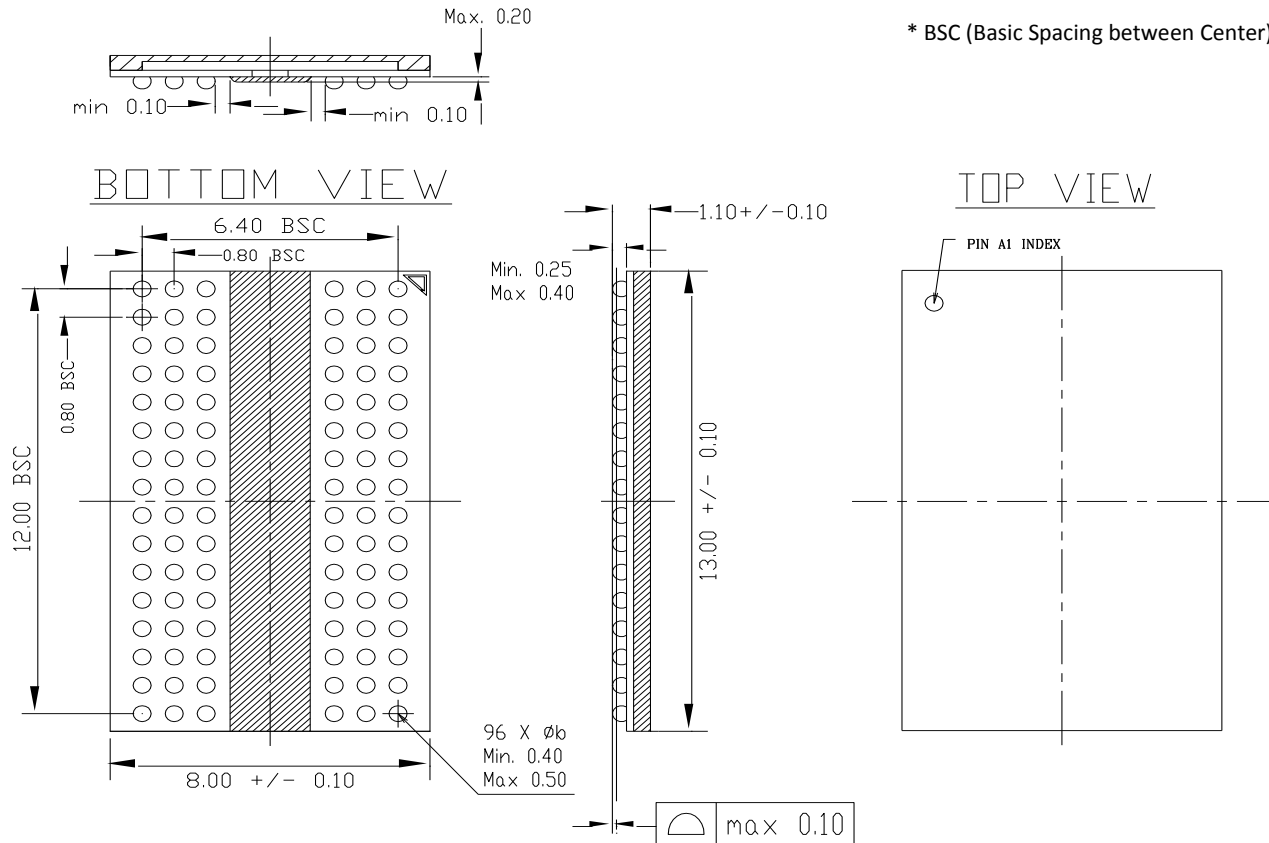
See the balls through the package

	1	2	3	4	5	6	7	8	9	
A	VDDQ	DQU5	DQU7				DQU4	VDDQ	VSS	A
B	VSSQ	VDD	VSS				DQSU	DQU6	VSSQ	B
C	VDDQ	DQU3	DQU1				DQSU	DQU2	VDDQ	C
D	VSSQ	VDDQ	DMU				DQU0	VSSQ	VDD	D
E	VSS	VSSQ	DQL0				DML	VSSQ	VDDQ	E
F	VDDQ	DQL2	DQSL				DQL1	DQL3	VSSQ	F
G	VSSQ	DQL6	DQSL				VDD	VSS	VSSQ	G
H	VREFDQ	VDDQ	DQL4				DQL7	DQL5	VDDQ	H
J	NC	VSS	RAS				CK	VSS	NC	J
K	ODT	VDD	CAS				CK	VDD	CKE	K
L	NC	CS	WE				A10/AP	ZQ	NC	L
M	VSS	BA0	BA2				NC	VREFCA	VSS	M
N	VDD	A3	A0				A12/BC	BA1	VDD	N
P	VSS	A5	A2				A1	A4	VSS	P
R	VDD	A7	A9				A11	A6	VDD	R
T	VSS	RESET	A13				A14	A8	VSS	T

### Package Outline Drawing

Unit: mm

\* BSC (Basic Spacing between Center)



## Ball Descriptions

Symbol	Type	Function
CK, $\overline{CK}$	Input	<b>Clock:</b> CK and $\overline{CK}$ are differential clock inputs. All address and control input signals are sampled on the crossing of the positive edge of CK and negative edge of $\overline{CK}$ .
CKE	Input	<b>Clock Enable:</b> CKE high activates, and CKE low deactivates, internal clock signals and device input buffers and output drivers. Taking CKE low provides Precharge Power-Down and Self-Refresh operation (all banks idle), or Active Power-Down (row Active in any bank). CKE is asynchronous for Self-Refresh exit. After VREF has become stable during the power on and initialization sequence, it must be maintained for proper operation of the CKE receiver. For proper self-refresh entry and exit, VREF must maintain to this input. CKE must be maintained high throughout read and write accesses. Input buffers, excluding CK, $\overline{CK}$ , ODT and CKE are disabled during Power Down. Input buffers, excluding CKE, are disabled during Self-Refresh.
$\overline{CS}$	Input	<b>Chip Select:</b> All commands are masked when $\overline{CS}$ is registered high. $\overline{CS}$ provides for external rank selection on systems with multiple memory ranks. $\overline{CS}$ is considered part of the command code.
$\overline{RAS}$ , $\overline{CAS}$ , $\overline{WE}$	Input	<b>Command Inputs:</b> $\overline{RAS}$ , $\overline{CAS}$ and $\overline{WE}$ (along with $\overline{CS}$ ) define the command being entered.
<i>For x8,</i> DM <i>For x16,</i> DMU, DML	Input	<b>Input Data Mask:</b> DM is an input mask signal for write data. Input data is masked when DM is sampled HIGH coincident with that input data during a Write access. DM is sampled on both edges of DQS. For x8 device, the function of DM or TDQS/ $\overline{TDQS}$ is enabled by Mode Register A11 setting in MR1.
BA0 - BA2	Input	<b>Bank Address Inputs:</b> BA0, BA1, and BA2 define to which bank an Active, Read, Write or Precharge command is being applied. Bank address also determines which mode register is to be accessed during a MRS cycle.
A10 / AP	Input	<b>Auto-Precharge:</b> A10 is sampled during Read/Write commands to determine whether Autoprecharge should be performed to the accessed bank after the Read/Write operation. (HIGH: Autoprecharge; LOW: no Autoprecharge). A10 is sampled during a Precharge command to determine whether the Precharge applies to one bank (A10 LOW) or all banks (A10 HIGH). If only one bank is to be precharged, the bank is selected by bank addresses.
<i>For x8,</i> A0 – A15 <i>For x16,</i> A0 – A14	Input	<b>Address Inputs:</b> Provide the row address for Activate commands and the column address for Read/Write commands to select one location out of the memory array in the respective bank. (A10/AP and A12/ $\overline{BC}$ have additional function as below.) The address inputs also provide the op-code during Mode Register Set commands.
A12/ $\overline{BC}$	Input	<b>Burst Chop:</b> A12/ $\overline{BC}$ is sampled during Read and Write commands to determine if burst chop (on the fly) will be performed. (HIGH - no burst chop; LOW - burst chopped).
ODT	Input	<b>On Die Termination:</b> ODT (registered HIGH) enables termination resistance internal to the DDR3 SDRAM. When enabled, ODT is applied to each DQ, DQS, $\overline{DQS}$ and DM/TDQS, NU/ $\overline{TDQS}$ (when TDQS is enabled via Mode Register A11=1 in MR1) signal for x8 configurations. The ODT pin will be ignored if Mode-registers, MR1 and MR2, are programmed to disable RTT.

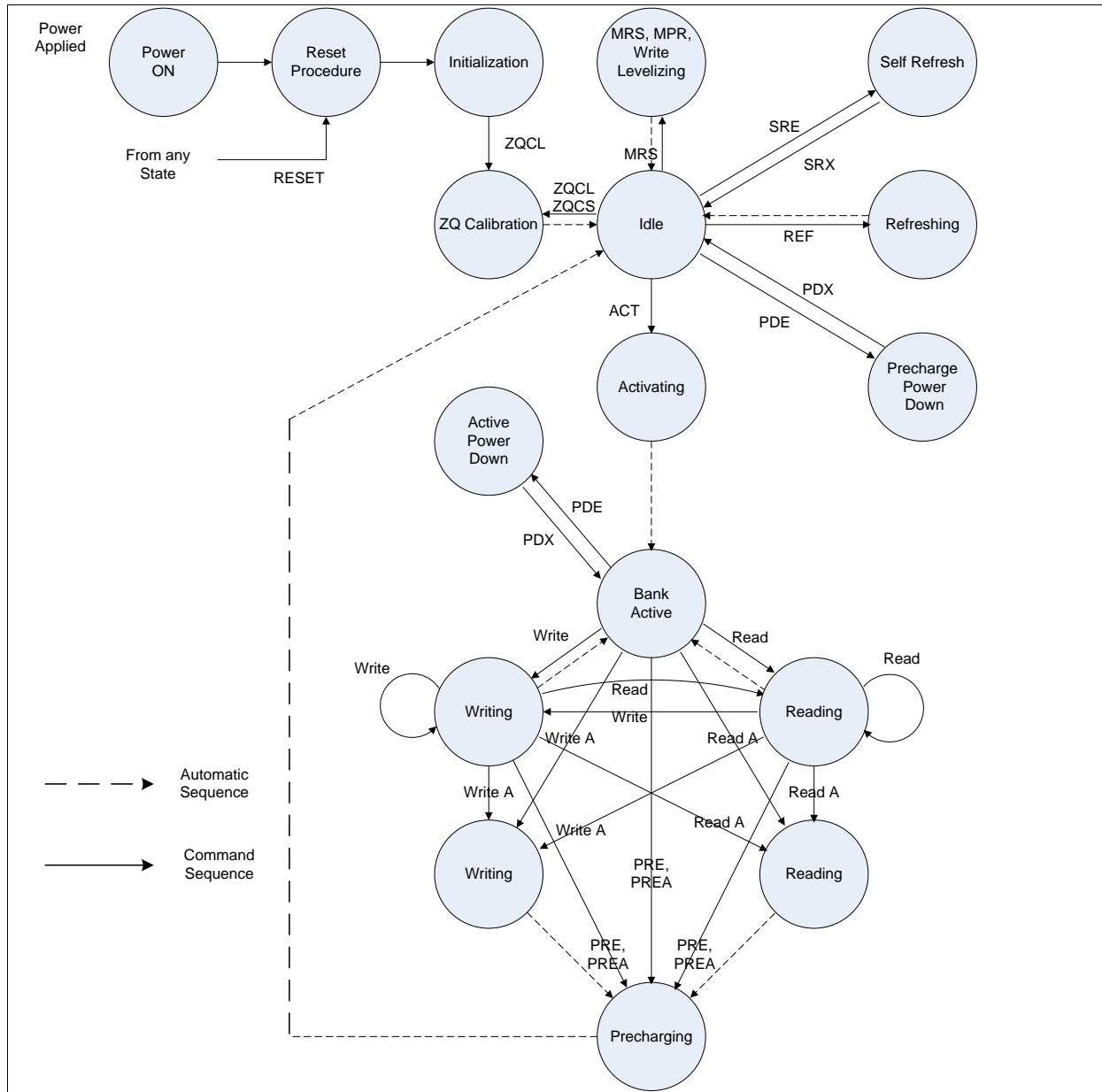


Symbol	Type	Function
RESET	Input	<b>Active Low Asynchronous Reset:</b> Reset is active when $\overline{\text{RESET}}$ is LOW, and inactive when $\overline{\text{RESET}}$ is HIGH. $\overline{\text{RESET}}$ must be HIGH during normal operation. $\overline{\text{RESET}}$ is a CMOS rail to rail signal with DC high and low at 80% and 20% of VDD, i.e. 1.20V for DC high and 0.30V.
DQ	Input/output	<b>Data Inputs/Output:</b> Bi-directional data bus. DQ0 is the prime DQ in a low byte lane of x4/x8/x16 configuration and DQ8 is the prime DQ in a high byte lane of x16 configuration for write leveling.
<b>For x8,</b> DQS, ( $\overline{\text{DQS}}$ ) <b>For x16,</b> DQSL, ( $\overline{\text{DQSL}}$ ), DQSU, ( $\overline{\text{DQSU}}$ )	Input/output	<b>Data Strobe:</b> output with read data, input with write data. Edge aligned with read data, centered with write data. The data strobes DQS, DQSL, DQSU are paired with differential signals $\overline{\text{DQS}}$ , $\overline{\text{DQSL}}$ , $\overline{\text{DQSU}}$ , respectively, to provide differential pair signaling to the system during both reads and writes. DDR3 SDRAM supports differential data strobe only and does not support single-ended.
<b>For x8,</b> TDQS, ( $\overline{\text{TDQS}}$ )	Output	<b>Termination Data Strobe:</b> TDQS/ $\overline{\text{TDQS}}$ is applicable for X8 DRAMs only. When enabled via Mode Register A11=1 in MR1, DRAM will enable the same termination resistance function on TDQS/ $\overline{\text{TDQS}}$ that is applied to DQS/ $\overline{\text{DQS}}$ . When disabled via mode register A11=0 in MR1, DM/ $\overline{\text{TDQS}}$ will provide the data mask function and $\overline{\text{TDQS}}$ is not used. x16 DRAMs must disable the TDQS function via mode register A11=0 in MR1.
NC	-	<b>No Connect:</b> No internal electrical connection is present.
V <sub>DDQ</sub>	Supply	<b>DQ Power Supply:</b> 1.35V -0.067V/+0.1V or 1.5V ± 0.075V
V <sub>DD</sub>	Supply	<b>Power Supply:</b> 1.35V -0.067V/+0.1V or 1.5V ± 0.075V
V <sub>SSQ</sub>	Supply	<b>DQ Ground</b>
V <sub>SS</sub>	Supply	<b>Ground</b>
V <sub>REFCA</sub>	Supply	<b>Reference voltage for CA</b>
V <sub>REFDQ</sub>	Supply	<b>Reference voltage for DQ</b>
ZQ	Supply	<b>Reference pin for ZQ calibration.</b>

**Notes:**

- Input only pins (BA0-BA2, A0-A15,  $\overline{\text{RAS}}$ ,  $\overline{\text{CAS}}$ ,  $\overline{\text{WE}}$ ,  $\overline{\text{CS}}$ , CKE, ODT, and  $\overline{\text{RESET}}$ ) do not supply termination.
- The signal may show up in a different symbol but it indicates the same thing. e.g., /CK = CK# =  $\overline{\text{CK}}$  = CKb, /DQS = DQS# =  $\overline{\text{DQS}}$  = DQsb, /CS = CS# =  $\overline{\text{CS}}$  = CSb.

## Simplified State Diagram



### State Diagram Command Definitions

Abbr.	Function	Abbr.	Function	Abbr.	Function
<b>ACT</b>	Active	<b>Read</b>	RD, RDS4, RDS8	<b>PDE</b>	Enter Power-down
<b>PRE</b>	Precharge	<b>Read A</b>	RDA, RDAS4, RDAS8	<b>PDX</b>	Exit Power-down
<b>PREA</b>	Precharge All	<b>Write</b>	WR, WRS4, WRS8	<b>SRE</b>	Self-Refresh entry
<b>MRS</b>	Mode Register Set	<b>Write A</b>	WRA, WRAS4, WRAS8	<b>SRX</b>	Self-Refresh exit
<b>REF</b>	Refresh	<b>RESET</b>	Start RESET Procedure	<b>MPR</b>	Multi-Purpose Register
<b>ZQCL</b>	ZQ Calibration Long	<b>ZQCS</b>	ZQ Calibration Short	-	-

## Basic Functionality

The DDR3(L) SDRAM is a high-speed dynamic random access memory internally configured as an eight-bank DRAM. The DDR3(L) SDRAM uses an 8n prefetch architecture to achieve high speed operation. The 8n prefetch architecture is combined with an interface designed to transfer two data words per clock cycle at the I/O pins. A single read or write operation for the DDR3(L) SDRAM consists of a single 8n-bit wide, four clock data transfer at the internal DRAM core and eight corresponding n-bit wide, one-half clock cycle data transfers at the I/O pins.

Read and write operation to the DDR3(L) SDRAM are burst oriented, start at a selected location, and continue for a burst length of eight or a 'chopped' burst of four in a programmed sequence. Operation begins with the registration of an Active command, which is then followed by a Read or Write command. The address bits registered coincident with the Active command are used to select the bank and row to be activated (BA0-BA2 select the bank; A0-A15 select the row). The address bit registered coincident with the Read or Write command are used to select the starting column location for the burst operation, determine if the auto precharge command is to be issued (via A10), and select BC4 or BL8 mode 'on the fly' (via A12) if enabled in the mode register.

Prior to normal operation, the DDR3(L) SDRAM must be powered up and initialized in a predefined manner. The following sections provide detailed information covering device reset and initialization, register definition, command descriptions and device operation.

## RESET and Initialization Procedure

### Power-up Initialization sequence

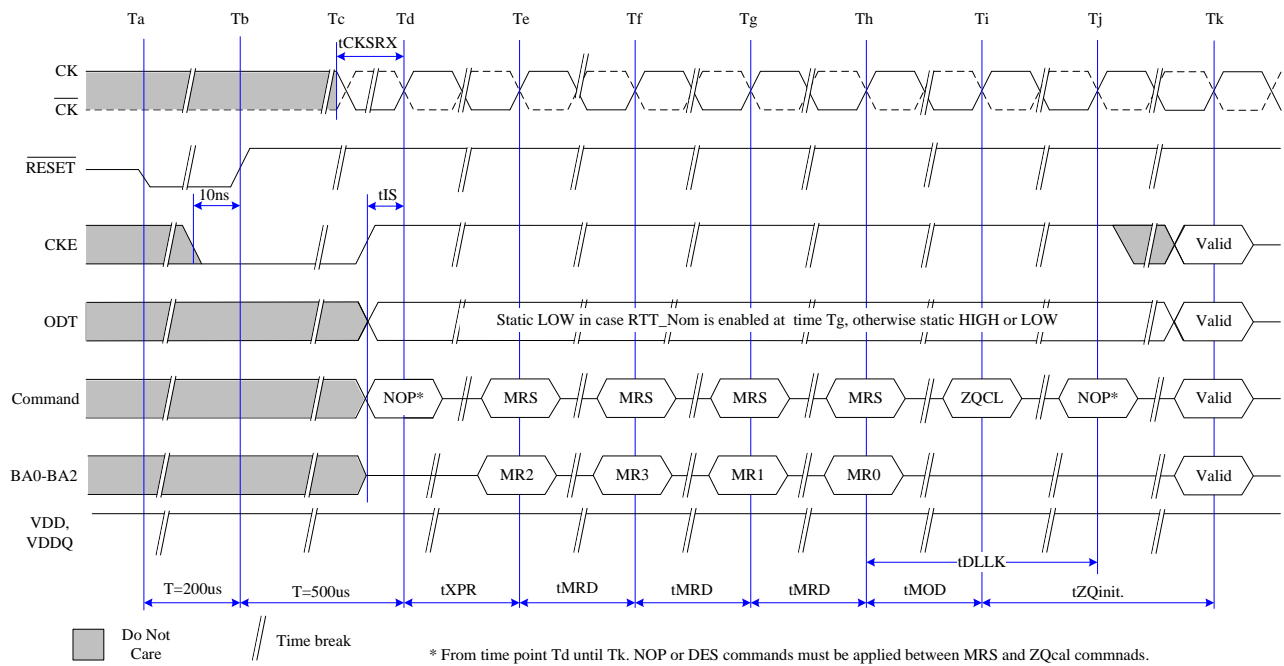
The Following sequence is required for POWER UP and Initialization

1. Apply power ( $\overline{\text{RESET}}$  is recommended to be maintained below  $0.2 \times V_{DD}$ , all other inputs may be undefined).  $\overline{\text{RESET}}$  needs to be maintained for minimum  $200\mu\text{s}$  with stable power.  $\overline{\text{RESET}}$  is pulled "Low" anytime before  $\overline{\text{RESET}}$  being de-asserted (min. time 10ns). The power voltage ramp time between  $300\text{mV}$  to  $V_{DD\text{min}}$  must be no greater than  $200\text{ms}$ ; and during the ramp,  $V_{DD} > V_{DDQ}$  and  $(V_{DD} - V_{DDQ}) < 0.3$  Volts.
  - VDD and VDDQ are driven from a single power converter output, AND
  - The voltage levels on all pins other than VDD, VDDQ, VSS, VSSQ must be less than or equal to VDDQ and VDD on one side and must be larger than or equal to VSSQ and VSS on the other side. In addition, VTT is limited to 0.95V max once power ramp is finished, AND
  - $V_{\text{ref}}$  tracks  $V_{DDQ}/2$ .OR
  - Apply VDD without any slope reversal before or at the same time as VDDQ.
  - Apply VDDQ without any slope reversal before or at the same time as VTT &  $V_{\text{ref}}$ .
  - The voltage levels on all pins other than VDD, VDDQ, VSS, VSSQ must be less than or equal to VDDQ and VDD on one side and must be larger than or equal to VSSQ and VSS on the other side.
2. After  $\overline{\text{RESET}}$  is de-asserted, wait for another  $500\mu\text{s}$  until  $\overline{\text{CKE}}$  become active. During this time, the DRAM will start internal state initialization; this will be done independently of external clocks.
3. Clock ( $\overline{\text{CK}}$ ) need to be started and stabilized for at least 10ns or  $5t_{\text{CK}}$  (which is larger) before  $\overline{\text{CKE}}$  goes active. Since  $\overline{\text{CKE}}$  is a synchronous signal, the corresponding set up time to clock ( $t_{\text{is}}$ ) must be met. Also a NOP or Deselect command must be registered (with  $t_{\text{is}}$  set up time to clock) before  $\overline{\text{CKE}}$  goes active. Once the  $\overline{\text{CKE}}$  registered "High"

after Reset, CKE needs to be continuously registered "High" until the initialization sequence is finished, including expiration of  $t_{DLLK}$  and  $t_{zQinit}$ .

4. The DDR3(L) DRAM will keep its on-die termination in high impedance state as long as  $\overline{RESET}$  is asserted. Further, the DRAM keeps its on-die termination in high impedance state after  $\overline{RESET}$  de-assertion until CKE is registered HIGH. The ODT input signal may be in undefined state until tIS before CKE is registered HIGH. When CKE is registered HIGH, the ODT input signal may be statically held at either LOW or HIGH. If RTT\_NOM is to be enabled in MR1, the ODT input signal must be statically held LOW. In all cases, the ODT input signal remains static until the power up initialization sequence is finished, including the expiration of  $t_{DLLK}$  and  $t_{zQinit}$ .
5. After CKE being registered high, wait minimum of Reset CKE Exit time,  $t_{XPR}$ , before issuing the first MRS command to load mode register. [ $t_{XPR} = \max(t_{XS}, 5t_{CK})$ ]
6. Issue MRS command to load MR2 with all application settings. (To issue MRS command for MR2, provide "Low" to BA0 and BA2, "High" to BA1)
7. Issue MRS command to load MR3 with all application settings. (To issue MRS command for MR3, provide "Low" to BA2, "High" to BA0 and BA1)
8. Issue MRS Command to load MR1 with all application settings and DLL enabled. (To issue "DLL Enable" command, provide "Low" to A0, "High" to BA0 and "Low" to BA1 and BA2)
9. Issue MRS Command to load MR0 with all application settings and "DLL reset". (To issue DLL reset command, provide "High" to A8 and "Low" to BA0-BA2)
10. Issue ZQCL command to starting ZQ calibration.
11. Wait for both  $t_{DLLK}$  and  $t_{zQinit}$  completed.
12. The DDR3 (L) SDRAM is now ready for normal operation.

## Reset and Initialization Sequence at Power- on Ramping (Cont'd)

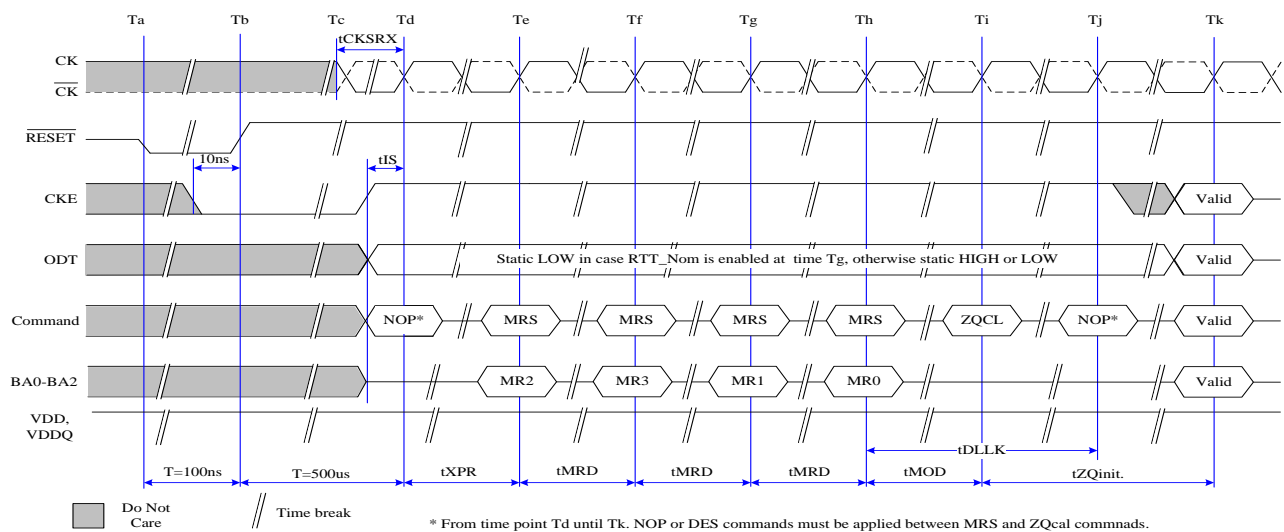


## Reset Procedure at Stable Power (Cont'd)

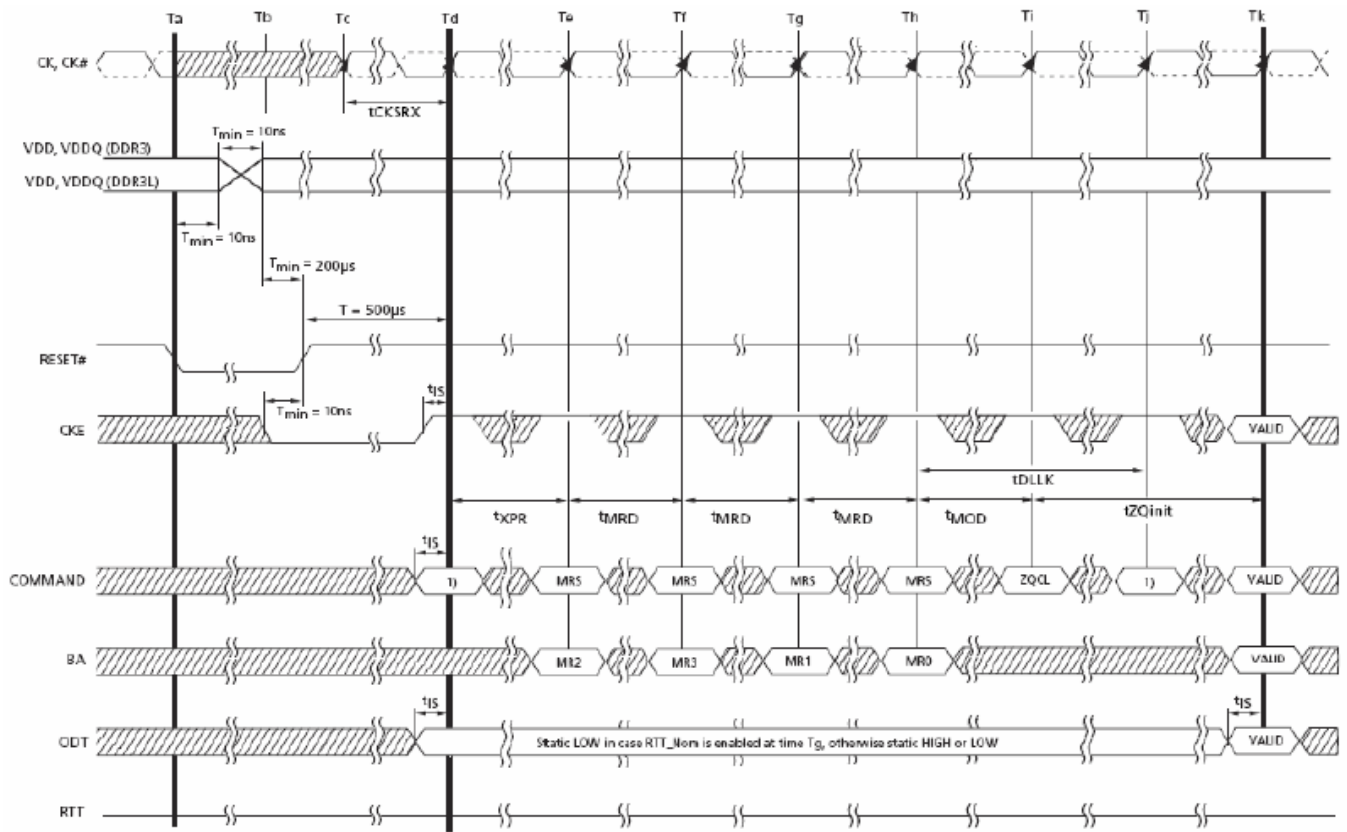
The following sequence is required for RESET at no power interruption initialization.

1. Asserted RESET below  $0.2 \cdot VDD$  anytime when reset is needed (all other inputs may be undefined). RESET needs to be maintained for minimum 100ns. CKE is pulled "Low" before RESET being de-asserted (min. time 10ns).
2. Follow Power-up Initialization Sequence step 2 to 11.
3. The Reset sequence is now completed. DDR3 (L) SDRAM is ready for normal operation.

## Reset Procedure at Power Stable Condition



### VDDQ/VDDQ Voltage Switch Between DDR3L and DDR3



NOTE 1. From time point "Td" until "Tk" NOP or DES commands must be applied between MRS and ZQCL commands.

// TIME BREAK    ▨ DONT CARE

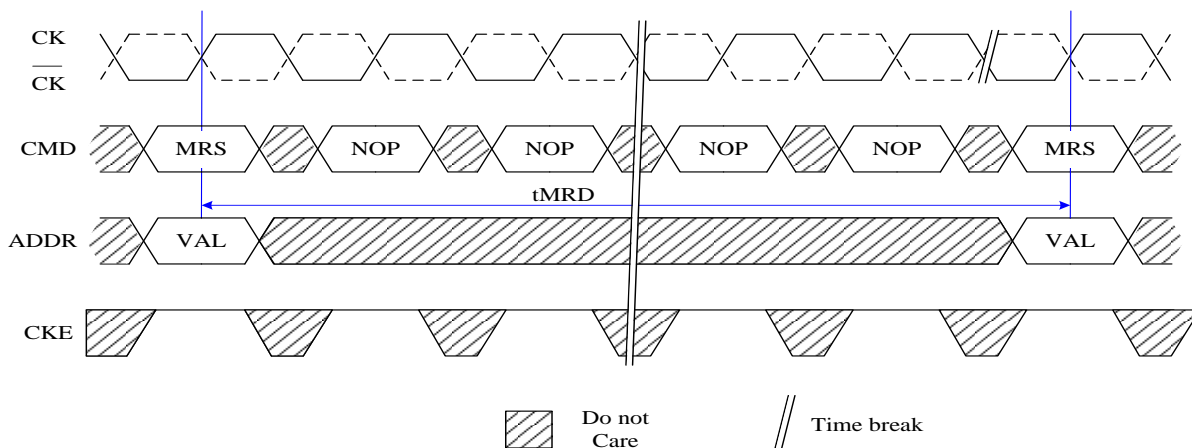
## Register Definition

### Programming the Mode Registers

For application flexibility, various functions, features, and modes are programmable in four Mode Registers, provided by the DDR3(L) SDRAM, as user defined variables and they must be programmed via a Mode Register Set (MRS) command. As the default values of the Mode Registers (MR#) are not defined, contents of Mode Registers must be fully initialized and/or re-initialized, i.e. written, after power up and/or reset for proper operation. Also the contents of the Mode Registers can be altered by re-executing the MRS command during normal operation. When programming the mode registers, even if the user chooses to modify only a sub-set of the MRS fields, all address fields within the accessed mode register must be redefined when the MRS command is issued. MRS command and DLL Reset do not affect array contents, which mean these commands can be executed any time after power-up without affecting the array contents.

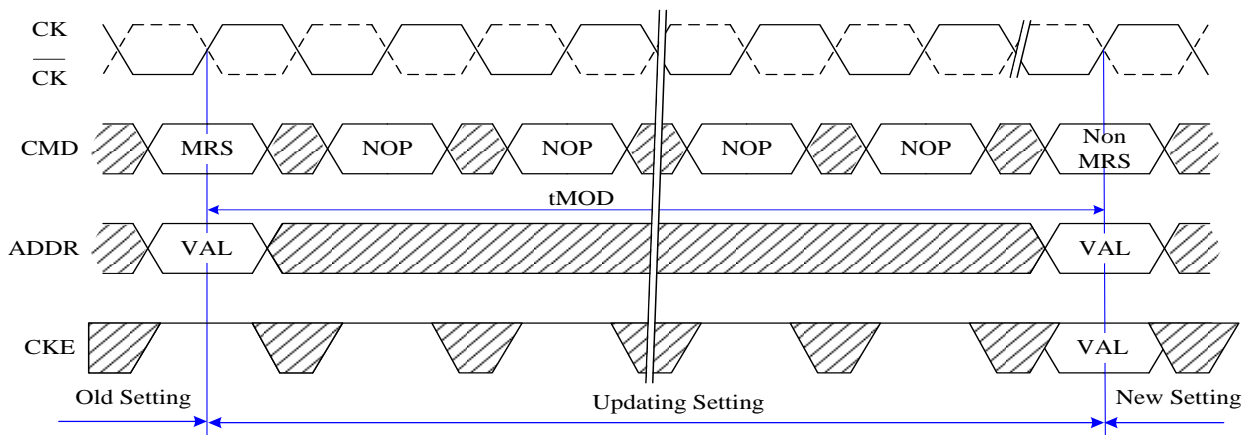
The mode register set command cycle time,  $t_{MRD}$  is required to complete the write operation to the mode register and is the minimum time required between two MRS commands shown as below.

#### $t_{MRD}$ Timing



The MRS command to Non-MRS command delay,  $t_{MOD}$ , is required for the DRAM to update the features except DLL reset, and is the minimum time required from an MRS command to a non-MRS command excluding NOP and DES shown as the following figure.

## t<sub>MOD</sub> Timing



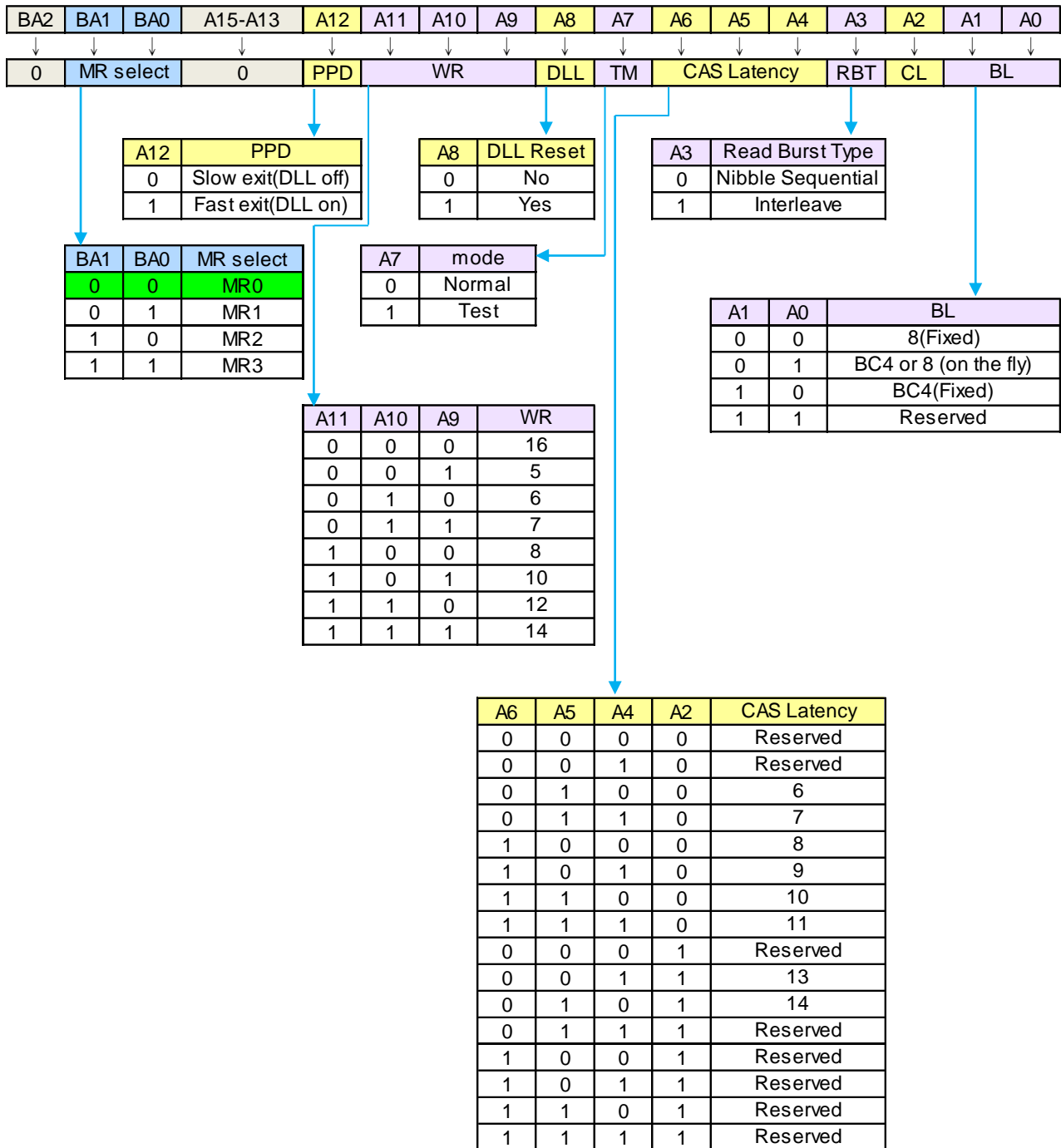
## Programming the Mode Registers (Cont'd)

The mode register contents can be changed using the same command and timing requirements during normal operation as long as the DRAM is in idle state, i.e. all banks are in the precharged state with t<sub>RP</sub> satisfied, all data bursts are completed and CKE is high prior to writing into the mode register. The mode registers are divided into various fields depending on the functionality and/or modes.

## Mode Register MR0

The mode-register MR0 stores data for controlling various operating modes of DDR3 (L) SDRAM. It controls burst length, read burst type, CAS latency, test mode, DLL reset, WR, and DLL control for precharge Power-Down, which include various vendor specific options to make DDR3(L) SDRAM useful for various applications. The mode register is written by asserting low on  $\overline{CS}$ ,  $\overline{RAS}$ ,  $\overline{CAS}$ ,  $\overline{WE}$ , BA0, BA1, and BA2, while controlling the states of address pins according to the following figure.



**MR0 Definition**


\*1: BA2 and A13~A15 are RFU and must be programmed to 0 during MRS.

\*2: WR (write recovery for autoprecharge)min in clock cycles is calculated by dividing tWR(in ns) by tCK(in ns) and rounding up to the next integer:  $WR_{min}[cycles] = Roundup(tWR[ns] / tCK[ns])$ . The WR value in the mode register must be programmed to be equal or larger than WRmin. The programmed WR value is used with tRP to determine tDAL.

\*3: The table only shows the encodings for a given Cas Latency. For actual supported Cas Latency, please refer to speedbin tables for each frequency

\*4: The table only shows the encodings for Write Recovery. For actual Write recovery timing, please refer to AC timingtable.

## Burst Length, Type, and Order

Accesses within a given burst may be programmed to sequential or interleaved order. The burst type is selected via bit A3 as shown in the MR0 Definition as above figure. The ordering of access within a burst is determined by the burst length, burst type, and the starting column address. The burst length is defined by bits A0-A1. Burst lengths options include fix BC4, fixed BL8, and on the fly which allow BC4 or BL8 to be selected coincident with the registration of a Read or Write command via A12/ $\overline{BC}$ .

## Burst Type and Burst Order

Burst Length	Read Write	Starting Column Address (A2,A1,A0)	Burst type: Sequential (decimal) A3 = 0	Burst type: Interleaved (decimal) A3 = 1	Note
4 Chop	Read	0,0,0	0,1,2,3,T,T,T,T	0,1,2,3,T,T,T,T	1,2,3
		0,0,1	1,2,3,0,T,T,T,T	1,0,3,2,T,T,T,T	
		0,1,0	2,3,0,1,T,T,T,T	2,3,0,1,T,T,T,T	
		0,1,1	3,0,1,2,T,T,T,T	3,2,1,0,T,T,T,T	
		1,0,0	4,5,6,7,T,T,T,T	4,5,6,7,T,T,T,T	
		1,0,1	5,6,7,4,T,T,T,T	5,4,7,6,T,T,T,T	
		1,1,0	6,7,4,5,T,T,T,T	6,7,4,5,T,T,T,T	
		1,1,1	7,4,5,6,T,T,T,T	7,6,5,4,T,T,T,T	
	Write	0,V,V	0,1,2,3,X,X,X,X	0,1,2,3,X,X,X,X	1,2,4,5
		1,V,V	4,5,6,7,X,X,X,X	4,5,6,7,X,X,X,X	
8	Read	0,0,0	0,1,2,3,4,5,6,7	0,1,2,3,4,5,6,7	2
		0,0,1	1,2,3,0,5,6,7,4	1,0,3,2,5,4,7,6	
		0,1,0	2,3,0,1,6,7,4,5	2,3,0,1,6,7,4,5	
		0,1,1	3,0,1,2,7,4,5,6	3,2,1,0,7,6,5,4	
		1,0,0	4,5,6,7,0,1,2,3	4,5,6,7,0,1,2,3	
		1,0,1	5,6,7,4,1,2,3,0	5,4,7,6,1,0,3,2	
		1,1,0	6,7,4,5,2,3,0,1	6,7,4,5,2,3,0,1	
		1,1,1	7,4,5,6,3,0,1,2	7,6,5,4,3,2,1,0	
	Write	V,V,V	0,1,2,3,4,5,6,7	0,1,2,3,4,5,6,7	2,4
	<p>Note:</p> <ol style="list-style-type: none"> <li>In case of burst length being fixed to 4 by MR0 setting, the internal write operation starts two clock cycles earlier than the BL8 mode. This means that the starting point for tWR and tWTR will be pulled in by two clocks. In case of burst length being selected on-the-fly via A12/<math>\overline{BC}</math>, the internal write operation starts at the same point in time like a burst of 8 write operation. This means that during on-the-fly control, the starting point for tWR and tWTR will not be pulled in by two clocks.</li> <li>0-7 bit number is value of CA [2:0] that causes this bit to be the first read during a burst.</li> <li>T: Output driver for data and stobes are in high impedance.</li> <li>V: a valid logic level (0 or 1), but respective buffer input ignores level on input pins.</li> <li>X: Do not Care.</li> </ol>				

## CAS Latency

The CAS Latency is defined by MR0 (bit A2, A4~A6) as shown in the MR0 Definition figure. CAS Latency is the delay, in clock cycles, between the internal Read command and the availability of the first bit of output data. DDR3(L) SDRAM does not support any half clock latencies. The overall Read Latency (RL) is defined as Additive Latency (AL) + CAS Latency (CL);  $RL = AL + CL$ .

## Test Mode

The normal operating mode is selected by MR0 (bit7=0) and all other bits set to the desired values shown in the MR0 definition figure. Programming bit A7 to a '1' places the DDR3(L) SDRAM into a test mode that is only used by the DRAM manufacturer and should not be used. No operations or functionality is guaranteed if A7=1.

## DLL Reset

The DLL Reset bit is self-clearing, meaning it returns back to the value of '0' after the DLL reset function has been issued. Once the DLL is enabled, a subsequent DLL Reset should be applied. Anytime the DLL reset function is used, tDLLK must be met before any functions that require the DLL can be used (i.e. Read commands or ODT synchronous operations.)

## Write Recovery

The programmed WR value MR0(bits A9, A10, and A11) is used for the auto precharge feature along with tRP to determine tDAL WR (write recovery for auto-precharge)min in clock cycles is calculated by dividing tWR(ns) by tCK(ns) and rounding up to the next integer:  $WR_{min}[\text{cycles}] = \text{Roundup}(tWR[\text{ns}]/tCK[\text{ns}])$ . The WR must be programmed to be equal or larger than tWR (min).

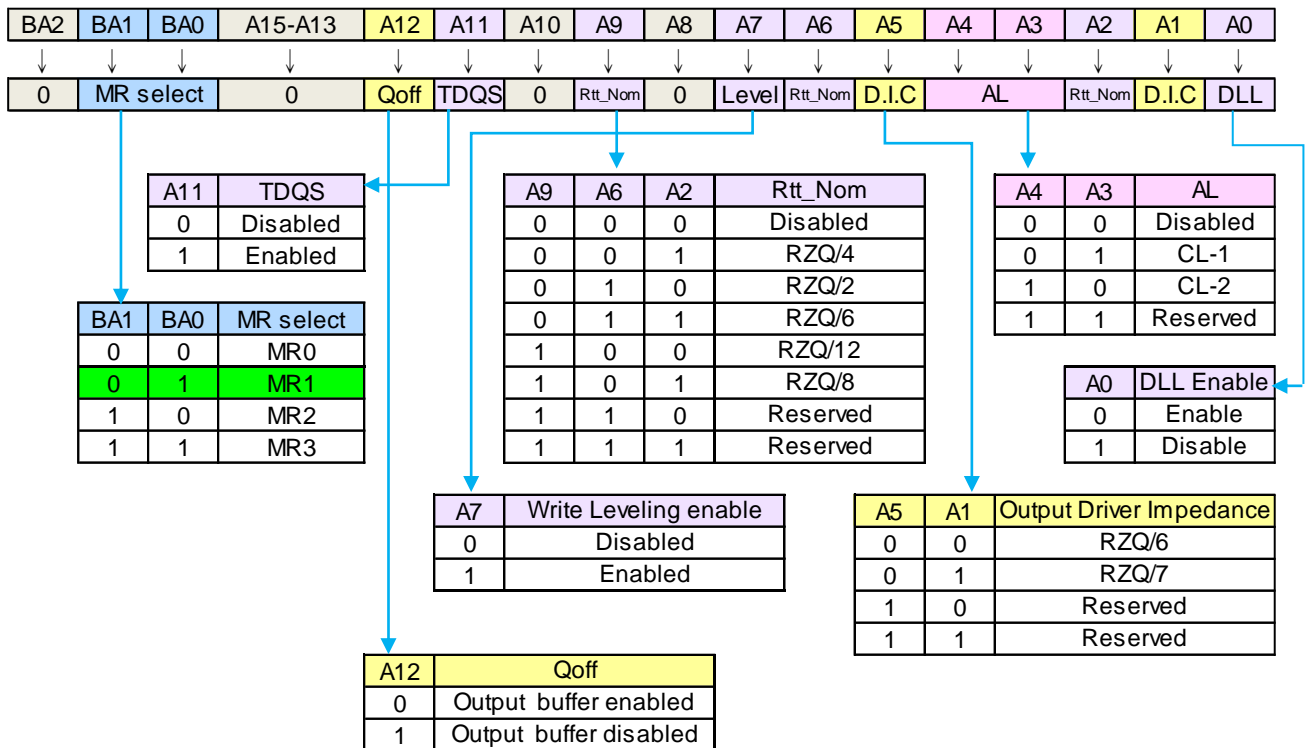
## Precharge PD DLL

MR0 (bit A12) is used to select the DLL usage during precharge power-down mode. When MR0 (A12=0), or 'slow-exit', the DLL is frozen after entering precharge power-down (for potential power savings) and upon exit requires tXPDLL to be met prior to the next valid command. When MR0 (A12=1), or 'fast-exit', the DLL is maintained after entering precharge power-down and upon exiting power-down requires tXP to be met prior to the next valid command.

## Mode Register MR1

The Mode Register MR1 stores the data for enabling or disabling the DLL, output driver strength, Rtt\_Nom impedance, additive latency, WRITE leveling enable, TDQS enable and Qoff. The Mode Register 1 is written by asserting low on  $\overline{CS}$ ,  $\overline{RAS}$ ,  $\overline{CAS}$ ,  $\overline{WE}$  high on BA0 and low on BA1 and BA2, while controlling the states of address pins according to the following figure.

### MR1 Definition



\* 1 : BA2 and A8, A10, and A13 ~ A15 are RFU and must be programmed to 0 during MRS.

\*2: Outputs disabled - DQs, DQSs,  $\overline{DQSs}$ .

\*3: RZQ = 240

\*4: In Write leveling Mode (MR1[bit7] = 1) with MR1[bit12]=1, all Rtt\_Nom settings are allowed; in Write Leveling Mode (MR1[bit7] = 1) with MR1[bit12]=0, only Rtt\_Nom settings of RZQ/2, RZQ/4 and RZQ/6 are allowed.

\*5: If Rtt\_Nom is used during Writes, only the values RZQ/2, RZQ/4 and RZQ/6 are allowed.

## DLL Enable/Disable

The DLL must be enabled for normal operation. DLL enable is required during power up initialization, and upon returning to normal operation after having the DLL disabled. During normal operation (DLL-on) with MR1 (A0=0), the DLL is automatically disabled when entering Self-Refresh operation and is automatically re-enabled upon exit of Self-Refresh operation. Any time the DLL is enabled and subsequently reset, tDLLK clock cycles must occur before a Read or synchronous ODT command can be issued to allow time for the internal clock to be synchronized with the external clock. Failing to wait for synchronization to occur may result in a violation of the tDQSCK, tAON, or tAOF parameters. During tDLLK, CKE must continuously be registered high. DDR3(L) SDRAM does not require DLL for any Write operation, except when RTT\_WR is enabled and the DLL is required for proper ODT operation. For more detailed information on DLL Disable operation in DLL-off Mode.

The direct ODT feature is not supported during DLL-off mode. The on-die termination resistors must be disabled by continuously registering the ODT pin low and/or by programming the RTT\_Nom bits MR1{A9,A6,A2} to {0,0,0} via a mode register set command during DLL-off mode.

The dynamic ODT feature is not supported at DLL-off mode. User must use MRS command to set Rtt\_WR, MR2 {A10, A9} = {0, 0}, to disable Dynamic ODT externally.

## Output Driver Impedance Control

The output driver impedance of the DDR3(L) SDRAM device is selected by MR1 (bit A1 and A5) as shown in MR1 definition figure.

## ODT Rtt Values

DDR3(L) SDRAM is capable of providing two different termination values (Rtt\_Nom and Rtt\_WR). The nominal termination value Rtt\_Nom is programmable in MR1. A separate value (Rtt\_WR) may be programmable in MR2 to enable a unique Rtt value when ODT is enabled during writes. The Rtt\_WR value can be applied during writes even when Rtt\_Nom is disabled.

## Additive Latency (AL)

Additive Latency (AL) operation is supported to make command and data bus efficient for sustainable bandwidth in DDR3(L) SDRAM. In this operation, the DDR3(L) SDRAM allows a read or write command (either with or without auto-precharge) to be issued immediately after the active command. The command is held for the time of the Additive Latency (AL) before it is issued inside the device. The Read Latency (RL) is controlled by the sum of the AL and CAS Latency (CL) register settings. Write Latency (WL) is controlled by the sum of the AL and CAS Write Latency (CWL) register settings. A summary of the AL register options are shown as the following table.

### Additive Latency (AL) Settings

A4	A3	AL
0	0	0, (AL Disable)
0	1	CL-1
1	0	CL-2
1	1	Reserved

## Write leveling

For better signal integrity, DDR3(L) memory module adopted fly by topology for the commands, addresses, control signals, and clocks. The fly by topology has benefits from reducing number of stubs and their length but in other aspect, causes flight time skew between clock and strobe at every DRAM on DIMM. It makes difficult for the Controller to maintain tDQSS, tDSS, and tDSH specification. Therefore, the controller should support 'write leveling' in DDR3(L) SDRAM to compensate for skew.

## Output Disable

The DDR3(L) SDRAM outputs maybe enable/disabled by MR1 (bit12) as shown in MR1 definition. When this feature is enabled (A12=1) all output pins (DQs, DQS,  $\overline{\text{DQS}}$ , etc.) are disconnected from the device removing any loading of the output drivers. This feature may be useful when measuring modules power for example. For normal operation A12 should be set to '0'.

## TDQS, $\overline{\text{TDQS}}$

TDQS (Termination Data Strobe) is a feature of x8 DDR3(L) SDRAM that provides additional termination resistance outputs that may be useful in some system configurations.

When enabled via the mode register, the same termination resistance function is applied to be TDQS/ $\overline{\text{TDQS}}$  pins that are applied to the DQS/ $\overline{\text{DQS}}$  pins.

In contrast to the RDQS function of DDR2 SDRAM, TDQS provides the termination resistance function only. The data strobe function of RDQS is not provided by TDQS.

The TDQS and DM functions share the same pin. When the TDQS function is enabled via the mode register, the DM function is not supported. When the TDQS function is disabled, the DM function is provided and the  $\overline{\text{TDQS}}$  pin is not used.

The TDQS function is available in x8 DDR3(L) SDRAM only and must be disabled via the mode register A11=0 in MR1 for x16 configurations.

## TDQS, $\overline{\text{TDQS}}$ Function Matrix

MR1 (A11)	DM / TDQS	NU / TDQS
0 (TDQS Disabled)	DM	Hi-Z
1 (TDQS Enabled)	TDQS	$\overline{\text{TDQS}}$

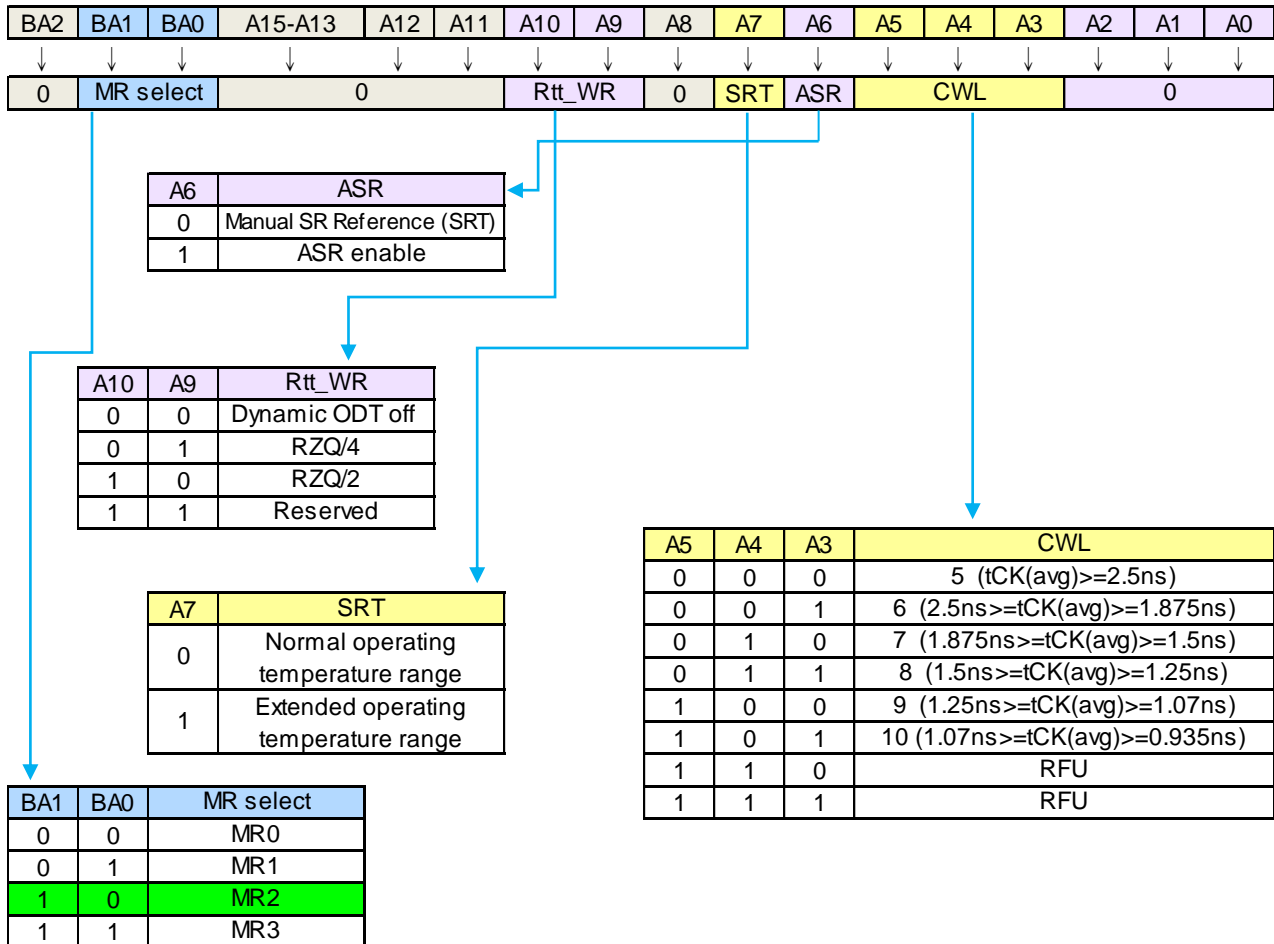
Note:

1. If TDQS is enabled, the DM function is disabled.
2. When not used, TDQS function can be disabled to save termination power.
3. TDQS function is only available for x8 DRAM and must be disabled for x16.

## Mode Register MR2

The Mode Register MR2 stores the data for controlling refresh related features, Rtt\_WR impedance, and CAS write latency. The Mode Register 2 is written by asserting low on  $\overline{CS}$ ,  $\overline{RAS}$ ,  $\overline{CAS}$ ,  $\overline{WE}$  high on BA1 and low on BA0 and BA2, while controlling the states of address pins according to the table below.

### MR2 Definition



\* 1 : BA2, A5, A8, A11 ~ A15 are RFU and must be programmed to 0 during MRS.

\* 2 : The Rtt\_WR value can be applied during writes even when Rtt\_Nom is disabled. During write leveling, Dynamic ODT is not available.



## CAS Write Latency (CWL)

The CAS Write Latency is defined by MR2 (bits A3-A5) shown in MR2. CAS Write Latency is the delay, in clock cycles, between the internal Write command and the availability of the first bit of input data. DDR3(L) DRAM does not support any half clock latencies. The overall Write Latency (WL) is defined as Additive Latency (AL) + CAS Write Latency (CWL);  $WL=AL+CWL$ .

## Auto Self-Refresh (ASR) and Self-Refresh Temperature (SRT)

DDR3(L) SDRAM must support Self-Refresh operation at all supported temperatures. Applications requiring Self-Refresh operation in the Extended Temperature Range must use the ASR function or program the SRT bit appropriately.

Optional in DDR3(L) SDRAM: Users should refer to the DRAM supplier data sheet and/or the DIMM SPD to determine if DDR3(L) SDRAM devices support the following options or requirements referred to in this material. For more details refer to "Extended Temperature Usage". DDR3(L) SDRAMs must support Self-Refresh operation at all supported temperatures. Applications requiring Self-Refresh operation in the Extended Temperature Range must use the optional ASR function or program the SRT bit appropriately.

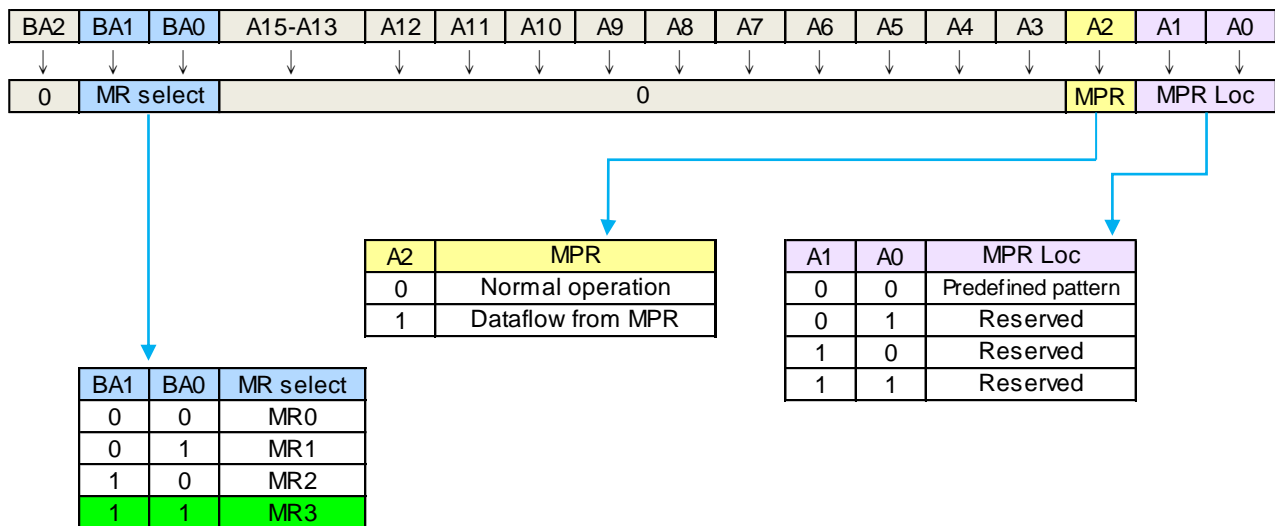
## Dynamic ODT (Rtt\_WR)

DDR3(L) SDRAM introduces a new feature "Dynamic ODT". In certain application cases and to further enhance signal integrity on the data bus, it is desirable that the termination strength of the DDR3(L) SDRAM can be changed without issuing an MRS command. MR2 Register locations A9 and A10 configure the Dynamic ODT settings. In Write leveling mode, only Rtt\_Nom is available. For details on Dynamic ODT operation, refer to "Dynamic ODT".

## Mode Register MR3

The Mode Register MR3 controls Multi-purpose registers. The Mode Register 3 is written by asserting low on  $\overline{CS}$ ,  $\overline{RAS}$ ,  $\overline{CAS}$ ,  $\overline{WE}$  high on BA1 and BA0, and low on BA2 while controlling the states of address pins according to the table below.

### MR3 Definition



\* 1 : BA2, A3 - A15 are RFU and must be programmed to 0 during MRS.

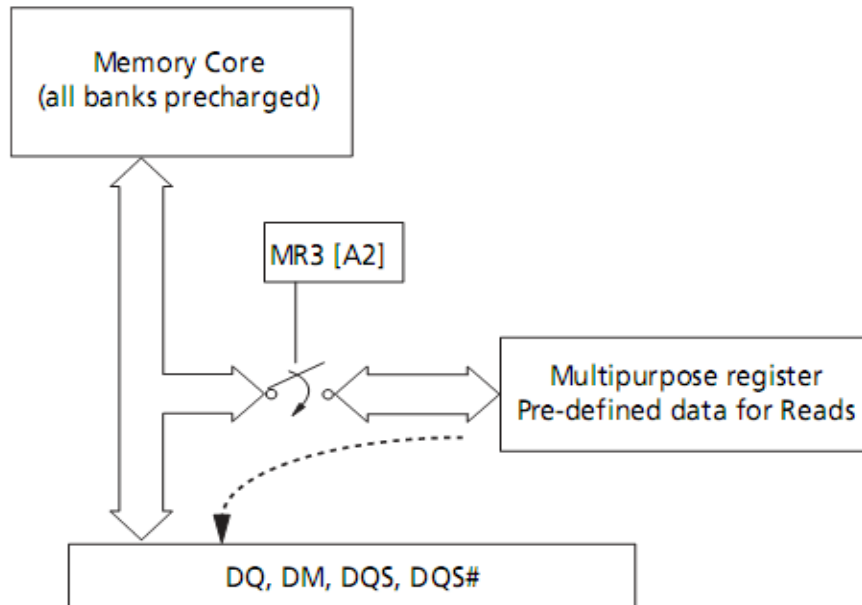
\* 2 : The predefined pattern will be used for read synchronization.

\* 3 : When MPR control is set for normal operation (MR3 A[2] = 0) then MR3 A[1:0] will be ignored.

## Multi-Purpose Register (MPR)

The Multi Purpose Register (MPR) function is used to Read out a predefined system timing calibration bit sequence.

**Fig. 1: MPR Block Diagram**



To enable the MPR, a MODE Register Set (MRS) command must be issued to MR3 Register with bit A2 = 1, prior to issuing the MRS command, all banks must be in the idle state (all banks precharged and tRP met). Once the MPR is enabled, any subsequent RD or RDA commands will be redirected to the Multi Purpose Register. The resulting operation, when a RD or RDA command is issued, is defined by MR3 bits A[1:0] when the MPR is enabled as shown. When the MPR is enabled, only RD or RDA commands are allowed until a subsequent MRS command is issued with the MPR disabled (MR3 bit A2 = 0). Note that in MPR mode RDA has the same functionality as a READ command which means the auto precharge part of RDA is ignored. Power-Down mode, Self-Refresh and any other non-RD/RDA command is not allowed during MPR enable mode. The RESET function is supported during MPR enable mode.

## MPR MR3 Register Definition

MR3 A[2]	MR3 A[1:0]	Function
MPR	MPR-Loc	
0b	don't care (0b or 1b)	Normal operation, no MPR transaction. All subsequent Reads will come from DRAM array. All subsequent Write will go to DRAM array.
1b	See MR3 Table	Enable MPR mode, subsequent RD/RDA commands defined by MR3 A[1:0].

## MPR Functional Description

- One bit wide logical interface via all DQ pins during READ operation.
- Register Read on x8:
  - DQ[0] drives information from MPR.
  - DQ[7:1] either drive the same information as DQ [0], or they drive 0b.
- Register Read on x16:
  - DQL[0] and DQU[0] drive information from MPR.
  - DQL[7:1] and DQU[7:1] either drive the same information as DQL [0], or they drive 0b.
- Addressing during for Multi Purpose Register reads for all MPR agents:
  - BA [2:0]: don't care
  - A[1:0]: A[1:0] must be equal to '00'b. Data read burst order in nibble is fixed
  - A[2]: For BL=8, A[2] must be equal to 0b, burst order is fixed to [0,1,2,3,4,5,6,7], \*) For Burst Chop 4 cases, the burst order is switched on nibble base A [2]=0b, Burst order: 0,1,2,3 \*) A[2]=1b, Burst order: 4,5,6,7 \*)
  - A[9:3]: don't care
  - A10/AP: don't care
  - A12/BC: Selects burst chop mode on-the-fly, if enabled within MR0.
  - A11, A13... (if available): don't care
- Regular interface functionality during register reads:
  - Support two Burst Ordering which are switched with A2 and A[1:0]=00b.
  - Support of read burst chop (MRS and on-the-fly via A12/BC)
- All other address bits (remaining column address bits including A10, all bank address bits) will be ignored by the DDR3(L) SDRAM.
- Regular read latencies and AC timings apply.
- DLL must be locked prior to MPR Reads.

NOTE: \*Burst order bit 0 is assigned to LSB and burst order bit 7 is assigned to MSB of the selected MPR agent.

**MPR MR3 Register Definition**

MR3 A[2]	MR3 A[1:0]	Function	Burst Length	Read Address A[2:0]	Burst Order and Data Pattern
1b	00b	Read Predefined Pattern for System Calibration	BL8	000b	Burst order 0,1,2,3,4,5,6,7 Pre-defined Data Pattern [0,1,0,1,0,1,0,1]
			BC4	000b	Burst order 0,1,2,3 Pre-defined Data Pattern [0,1,0,1]
			BC4	100b	Burst order 4,5,6,7 Pre-defined Data Pattern [0,1,0,1]
1b	01b	RFU	BL8	000b	Burst order 0,1,2,3,4,5,6,7
			BC4	000b	Burst order 0,1,2,3
			BC4	100b	Burst order 4,5,6,7
1b	10b	RFU	BL8	000b	Burst order 0,1,2,3,4,5,6,7
			BC4	000b	Burst order 0,1,2,3
			BC4	100b	Burst order 4,5,6,7
1b	11b	RFU	BL8	000b	Burst order 0,1,2,3,4,5,6,7
			BC4	000b	Burst order 0,1,2,3
			BC4	100b	Burst order 4,5,6,7

**NOTE:** Burst order bit 0 is assigned to LSB and the burst order bit 7 is assigned to MSB of the selected MPR agent.

## DDR3(L) SDRAM Command Description and Operation Command Truth Table

Function	Abbr.	CKE		$\overline{CS}$	RAS	$\overline{CAS}$	WE	BA0-BA2	A13-A15	A12- $\overline{BC}$	A10-AP	A0-A9, A11	NOTES
		Previous Cycle	Current Cycle										
Mode Register Set	<b>MRS</b>	H	H	L	L	L	L	BA	OP Code				
Refresh	<b>REF</b>	H	H	L	L	L	H	V	V	V	V	V	
Self Refresh Entry	<b>SRE</b>	H	L	L	L	L	H	V	V	V	V	V	7,9,12
Self Refresh Exit	<b>SRX</b>	L	H	H	X	X	X	X	X	X	X	X	7,8,9,12
				L	H	H	H	V	V	V	V	V	
Single Bank Precharge	<b>PRE</b>	H	H	L	L	H	L	BA	V	V	L	V	
Precharge all Banks	<b>PREA</b>	H	H	L	L	H	L	V	V	V	H	V	
Bank Activate	<b>ACT</b>	H	H	L	L	H	H	BA	Row Address (RA)				
Write (Fixed BL8 or BC4)	<b>WR</b>	H	H	L	H	L	L	BA	RFU	V	L	CA	
Write (BC4, on the Fly)	<b>WRS4</b>	H	H	L	H	L	L	BA	RFU	L	L	CA	
Write (BL8, on the Fly)	<b>WRS8</b>	H	H	L	H	L	L	BA	RFU	H	L	CA	
Write with Auto Precharge (Fixed BL8 or BC4)	<b>WRA</b>	H	H	L	H	L	L	BA	RFU	V	H	CA	
Write with Auto Precharge (BC4, on the Fly)	<b>WRAS4</b>	H	H	L	H	L	L	BA	RFU	L	H	CA	
Write with Auto Precharge (BL8, on the Fly)	<b>WRAS8</b>	H	H	L	H	L	L	BA	RFU	H	H	CA	
Read (Fixed BL8 or BC4)	<b>RD</b>	H	H	L	H	L	H	BA	RFU	V	L	CA	
Read (BC4, on the Fly)	<b>RDS4</b>	H	H	L	H	L	H	BA	RFU	L	L	CA	
Read (BL8, on the Fly)	<b>RDS8</b>	H	H	L	H	L	H	BA	RFU	H	L	CA	
Read with Auto Precharge (Fixed BL8 or BC4)	<b>RDA</b>	H	H	L	H	L	H	BA	RFU	V	H	CA	
Read with Auto Precharge (BC4, on the Fly)	<b>RDAS4</b>	H	H	L	H	L	H	BA	RFU	L	H	CA	
Read with Auto Precharge (BL8, on the Fly)	<b>RDAS8</b>	H	H	L	H	L	H	BA	RFU	H	H	CA	
No Operation	<b>NOP</b>	H	H	L	H	H	H	V	V	V	V	V	10
Device Deselected	<b>DES</b>	H	H	H	X	X	X	X	X	X	X	X	11
Power Down Entry	<b>PDE</b>	H	L	L	H	H	H	V	V	V	V	V	6,12
				H	X	X	X	X	X	X	X	X	
Power Down Exit	<b>PDX</b>	L	H	L	H	H	H	V	V	V	V	V	6,12
				H	X	X	X	X	X	X	X	X	
ZQ Calibration Long	<b>ZQCL</b>	H	H	L	H	H	L	X	X	X	H	X	
ZQ Calibration Short	<b>ZQCS</b>	H	H	L	H	H	L	X	X	X	L	X	

## DDR3(L) SDRAM Command Description and Operation

### Command Truth Table (Conti.)

NOTE1. All DDR3(L) SDRAM commands are defined by states of  $\overline{CS}$ ,  $\overline{RAS}$ ,  $\overline{CAS}$ ,  $\overline{WE}$  and CKE at the rising edge of the clock. The MSB of BA, RA and CA are device density and configuration dependant.

NOTE2.  $\overline{RESET}$  is Low enable command which will be used only for asynchronous reset so must be maintained HIGH during any function.

NOTE3. Bank addresses (BA) determine which bank is to be operated upon. For (E)MRS BA selects an (Extended) Mode Register.

NOTE4. "V" means "H or L (but a defined logic level)" and "X" means either "defined or undefined (like floating) logic level".

NOTE5. Burst reads or writes cannot be terminated or interrupted and Fixed/on-the-Fly BL will be defined by MRS.

NOTE6. The Power-Down Mode does not perform any refresh operation.

NOTE7. The state of ODT does not affect the states described in this table. The ODT function is not available during Self Refresh.

NOTE8. Self Refresh Exit is asynchronous.

NOTE9. VREF (Both VrefDQ and VrefCA) must be maintained during Self Refresh operation.

NOTE10. The No Operation command should be used in cases when the DDR3(L) SDRAM is in an idle or wait state. The purpose of the No Operation command (NOP) is to prevent the DDR3(L) SDRAM from registering any unwanted commands between operations.

A No Operation command will not terminate a pervious operation that is still executing, such as a burst read or write cycle.

NOTE11. The Deselect command performs the same function as No Operation command.

NOTE12. Refer to the CKE Truth Table for more detail with CKE transition.

**CKE Truth Table**

Current State	CKE		Command (N) RAS, CAS, WE, CS	Action (N)	Notes
	Previous Cycle (N-1)	Current Cycle (N)			
Power-Down	L	L	X	Maintain Power-Down	14,15
	L	H	DESELECT or NOP	Power-Down Exit	11,14
Self-Refresh	L	L	X	Maintain Self-Refresh	15,16
	L	H	DESELECT or NOP	Self-Refresh Exit	8,12,16
Bank(s) Active	H	L	DESELECT or NOP	Active Power-Down Entry	11,13,14
Reading	H	L	DESELECT or NOP	Power-Down Entry	11,13,14,17
Writing	H	L	DESELECT or NOP	Power-Down Entry	11,13,14,17
Precharging	H	L	DESELECT or NOP	Power-Down Entry	11,13,14,17
Refreshing	H	L	DESELECT or NOP	Precharge Power-Down Entry	11
All Banks Idle	H	L	DESELECT or NOP	Precharge Power-Down Entry	11,13,14,18
	H	L	REFRESH	Self-Refresh	9,13,18

NOTE 1 CKE (N) is the logic state of CKE at clock edge N; CKE (N-1) was the state of CKE at the previous clock edge.

NOTE 2 Current state is defined as the state of the DDR3(L) SDRAM immediately prior to clock edge N.

NOTE 3 COMMAND (N) is the command registered at clock edge N, and ACTION (N) is a result of COMMAND (N), ODT is not included here.

NOTE 4 All states and sequences not shown are illegal or reserved unless explicitly described elsewhere in this document.

NOTE 5 The state of ODT does not affect the states described in this table. The ODT function is not available during Self-Refresh.

NOTE 6 CKE must be registered with the same value on tCKEmin consecutive positive clock edges. CKE must remain at the valid input level the entire time it takes to achieve the tCKEmin clocks of registrations. Thus, after any CKE transition, CKE may not transition from its valid level during the time period of tIS + tCKEmin + tIH.

NOTE 7 DESELECT and NOP are defined in the Command Truth Table.

NOTE 8 On Self-Refresh Exit DESELECT or NOP commands must be issued on every clock edge occurring during the tXS period. Read or ODT commands may be issued only after tXSDLL is satisfied.

NOTE 9 Self-Refresh modes can only be entered from the All Banks Idle state.

NOTE 10 Must be a legal command as defined in the Command Truth Table.

NOTE 11 Valid commands for Power-Down Entry and Exit are NOP and DESELECT only.

NOTE 12 Valid commands for Self-Refresh Exit are NOP and DESELECT only.

NOTE 13 Self-Refresh cannot be entered during Read or Write operations.

NOTE 14 The Power-Down does not perform any refresh operations.

NOTE 15 "X" means "don't care"(including floating around VREF) in Self-Refresh and Power-Down. It also applies to Address pins.

NOTE 16 VREF (Both Vref\_DQ and Vref\_CA) must be maintained during Self-Refresh operation.

NOTE 17 If all banks are closed at the conclusion of the read, write or precharge command, then Precharge Power-Down is entered, otherwise Active Power-Down is entered.

NOTE 18 'Idle state' is defined as all banks are closed (tRP, tDAL, etc. satisfied), no data bursts are in progress, CKE is high, and all timings from previous operations are satisfied (tMRD, tMOD, tRFC, tZQinit, tZQoper, tZQCS, etc.) as well as all Self-Refresh exit and Power-Down Exit parameters are satisfied (tXS, tXP, tXPDLL, etc).



## No Operation (NOP) Command

The No operation (NOP) command is used to instruct the selected DDR3(L) SDRAM to perform a NOP ( $\overline{CS}$  low and  $\overline{RAS}$ ,  $\overline{CAS}$ , and  $\overline{WE}$  high). This prevents unwanted commands from being registered during idle or wait states. Operations already in progress are not affected.

## Deselect Command

The DESELECT function ( $\overline{CS}$  HIGH) prevents new commands from being executed by the DDR3(L) SDRAM. The DDR3(L) SDRAM is effectively deselected. Operations already in progress are not affected.

## DLL- Off Mode

DDR3(L) DLL-off mode is entered by setting MR1 bit A0 to "1"; this will disable the DLL for subsequent operations until A0 bit set back to "0". The MR1 A0 bit for DLL control can be switched either during initialization or later.

The DLL-off Mode operations listed below are an optional feature for DDR3(L). The maximum clock frequency for DLL-off Mode is specified by the parameter tCKDLL\_OFF. There is no minimum frequency limit besides the need to satisfy the refresh interval, tREFI.

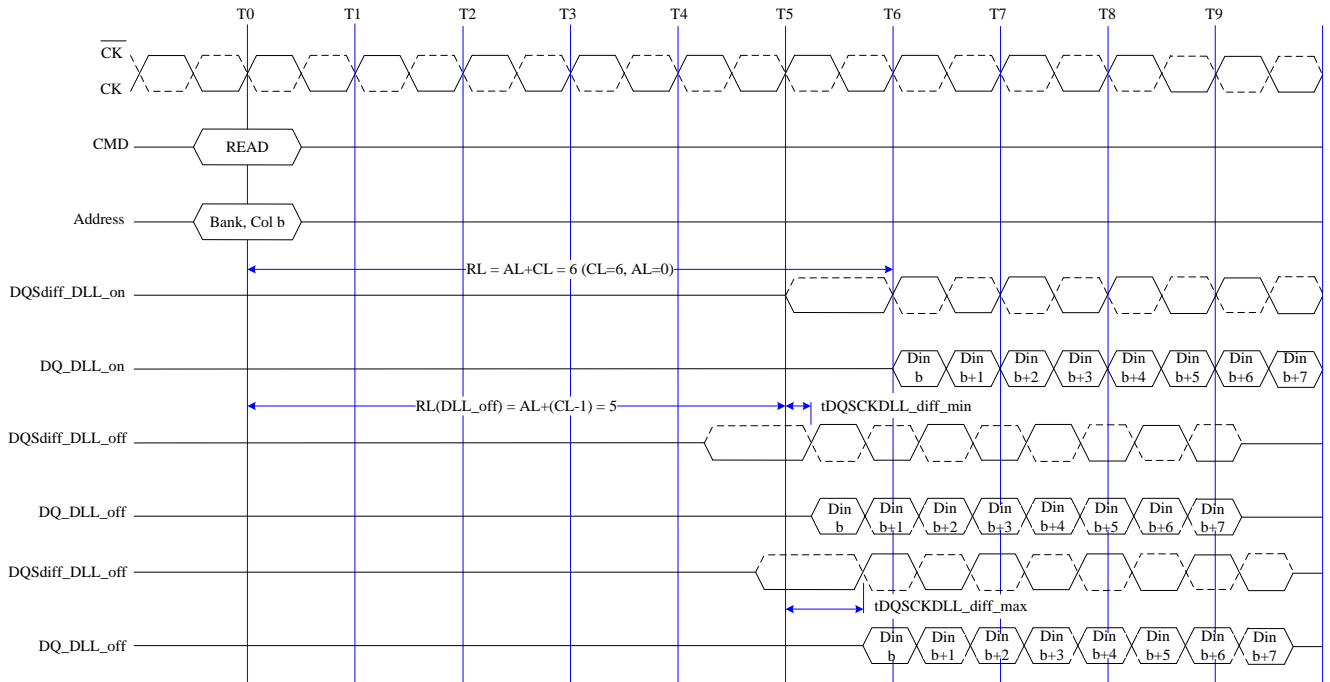
Due to latency counter and timing restrictions, only one value of CAS Latency (CL) in MR0 and CAS Write Latency (CWL) in MR2 are supported. The DLL-off mode is only required to support setting of both CL=6 and CWL=6.

DLL-off mode will affect the Read data Clock to Data Strobe relationship (tDQSCK) but not the data Strobe to Data relationship (tDQSQ, tQH). Special attention is needed to line up Read data to controller time domain.

Comparing with DLL-on mode, where tDQSCK starts from the rising clock edge (AL+CL) cycles after the Read command, the DLL-off mode tDQSCK starts (AL+CL-1) cycles after the read command. Another difference is that tDQSCK may not be small compared to tCK (it might even be larger than tCK) and the difference between tDQSCKmin and tDQSCKmax is significantly larger than in DLL-on mode.

The timing relations on DLL-off mode READ operation have shown at the following Timing Diagram (CL=6, BL=8)

## DLL-off mode READ Timing Operation



Note: The  $tDQSCK$  is used here for DQS,  $\overline{DQS}$ , and DQ to have a simplified diagram; the DLL\_off shift will affect both timings in the same way and the skew between all DQ, DQS, and  $\overline{DQS}$  signals will still be  $tDQSQ$ .

## DLL on/off switching procedure

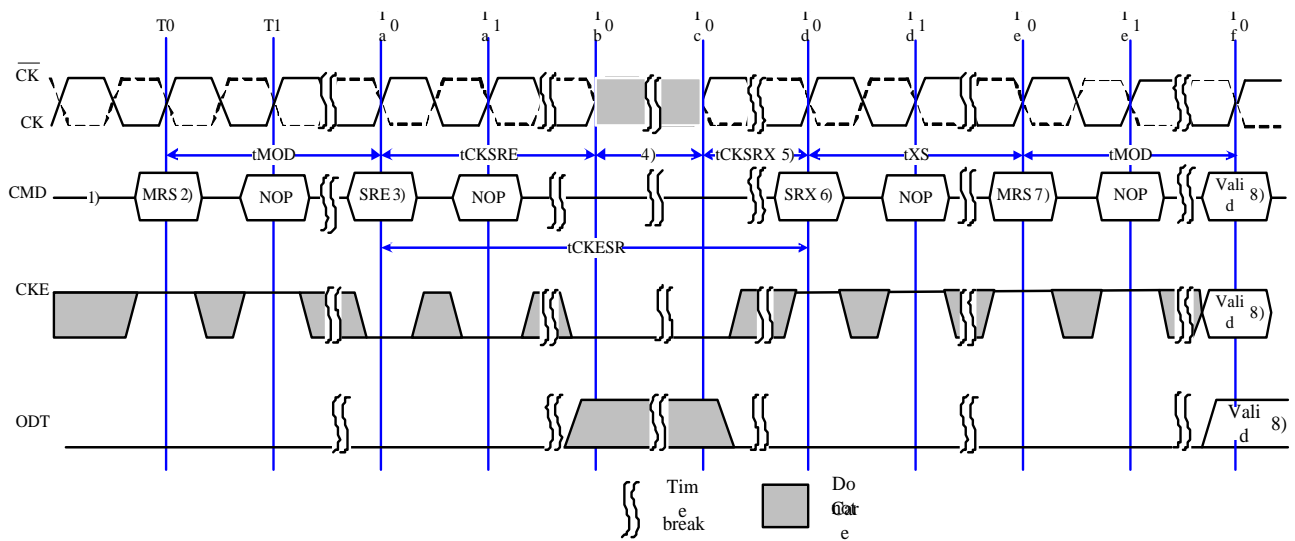
DDR3(L) DLL-off mode is entered by setting MR1 bit A0 to “1”; this will disable the DLL for subsequent operation until A0 bit set back to “0”.

## DLL “on” to DLL “off” Procedure

To switch from DLL “on” to DLL “off” requires the frequency to be changed during Self-Refresh outlined in the following procedure:

1. Starting from Idle state (all banks pre-charged, all timing fulfilled, and DRAMs On-die Termination resistors, RTT, must be in high impedance state before MRS to MR1 to disable the DLL).
2. Set MR1 Bit A0 to “1” to disable the DLL.
3. Wait tMOD.
4. Enter Self Refresh Mode; wait until (tCKSRE) is satisfied.
5. Change frequency, in guidance with “Input Clock Frequency Change” section.
6. Wait until a stable clock is available for at least (tCKSRX) at DRAM inputs.
7. Starting with the Self Refresh Exit command, CKE must continuously be registered HIGH until all tMOD timings from any MRS command are satisfied. In addition, if any ODT features were enabled in the mode registers when Self Refresh mode was entered, the ODT signal must continuously be registered LOW until all tMOD timings from any MRS command are satisfied. If both ODT features were disabled in the mode registers when Self Refresh mode was entered, ODT signal can be registered LOW or HIGH.
8. Wait tXS, and then set Mode Registers with appropriate values (especially an update of CL, CWL, and WR may be necessary. A ZQCL command may also be issued after tXS).
9. Wait for tMOD, and then DRAM is ready for next command.

### DLL Switch Sequence from DLL-on to DLL-off



**Note:**

ODT: Static LOW in case RTT\_Nom and RTT\_WR is enabled, otherwise static Low or High

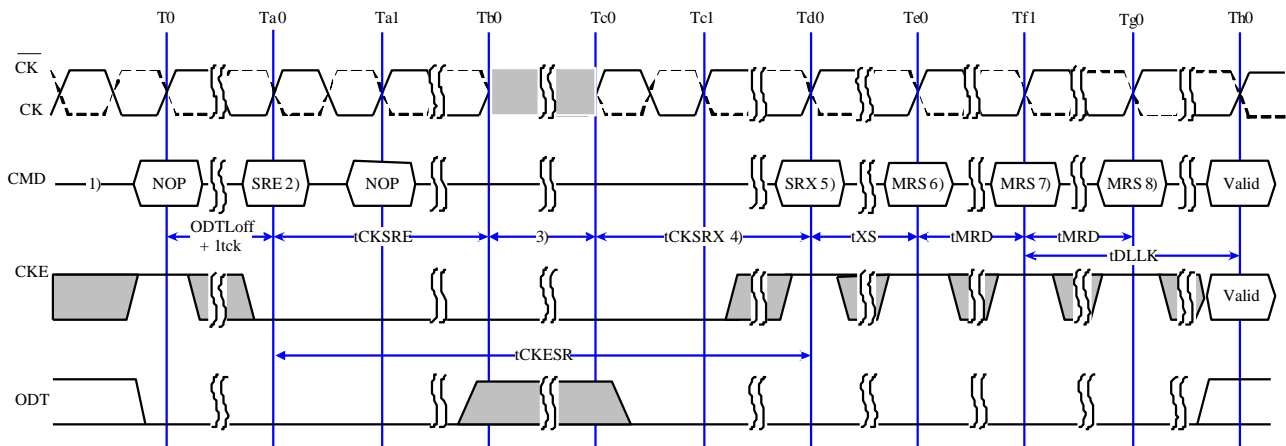
- 1) Starting with Idle State, RTT in Hi-Z State.
- 2) Disable DLL by setting MR1 Bit A0 to 1.
- 3) Enter SR.
- 4) Change Frequency.
- 5) Clock must be stable at least tCKSRX.
- 6) Exit SR.
- 7) Update Mode registers with DLL off parameters setting.
- 8) Any valid command.

## DLL “off” to DLL “on” Procedure

To switch from DLL “off” to DLL “on” (with requires frequency change) during Self-Refresh:

1. Starting from Idle state (all banks pre-charged, all timings fulfilled and DRAMs On-die Termination resistors (RTT) must be in high impedance state before Self-Refresh mode is entered).
2. Enter Self Refresh Mode, wait until tCKSRE satisfied.
3. Change frequency, in guidance with “Input clock frequency change” section.
4. Wait until a stable is available for at least (tCKSRX) at DRAM inputs.
5. Starting with the Self Refresh Exit command, CKE must continuously be registered HIGH until tDLLK timing from subsequent DLL Reset command is satisfied. In addition, if any ODT features were enabled in the mode registers when Self Refresh mode was entered. The ODT signal must continuously be registered LOW until tDLLK timings from subsequent DLL Reset command is satisfied. If both ODT features are disabled in the mode registers when Self Refresh mode was entered, ODT signal can be registered LOW or HIGH.
6. Wait tXS, then set MR1 Bit A0 to “0” to enable the DLL.
7. Wait tMRD, then set MR0 Bit A8 to “1” to start DLL Reset.
8. Wait tMRD, then set Mode registers with appropriate values (especially an update of CL, CWL, and WR may be necessary. After tMOD satisfied from any proceeding MRS command, a ZQCL command may also be issued during or after tDLLK).
9. Wait for tMOD, then DRAM is ready for next command (remember to wait tDLLK after DLL Reset before applying command requiring a locked DLL!). In addition, wait also for tZQoper in case a ZQCL command was issued.

### DLL Switch Sequence from DLL-off to DLL-on



**Note:**

ODT: Static LOW in case RTT\_Nom and RTT\_WR is enabled, otherwise static Low or High

1) Starting from Idle State.

2) Enter SR.

3) Change Frequency.

4) Clock must be stable at least tCKSRX.

5) Exit SR.

6) Set DLL-on by MR1 A0="0"

7) Start DLL Reset

8) Any valid command

}} Time break

■ Do not Care

## Input Clock frequency change

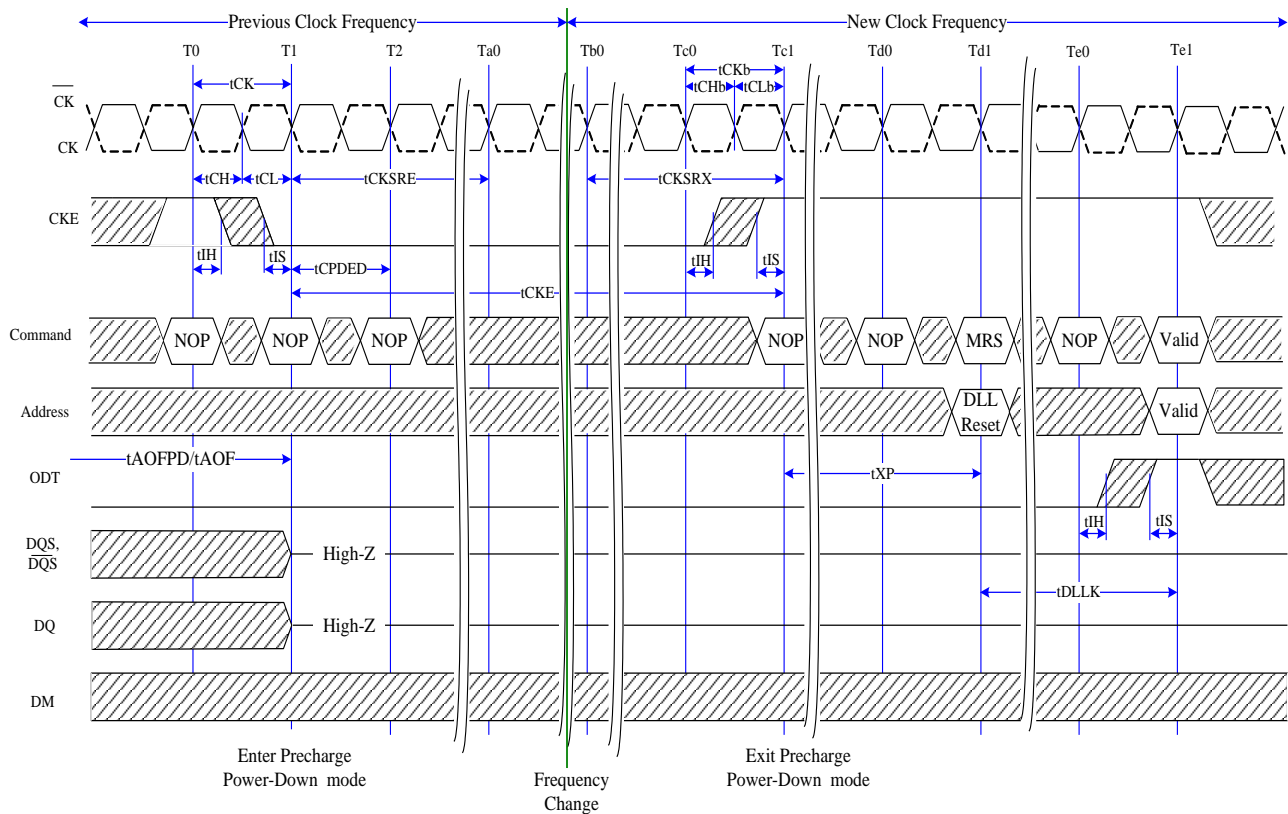
Once the DDR3(L) SDRAM is initialized, the DDR3(L) SDRAM requires the clock to be “stable” during almost all states of normal operation. This means once the clock frequency has been set and is to be in the “stable state”, the clock period is not allowed to deviate except for what is allowed for by the clock jitter and SSC (spread spectrum clocking) specification.

The input clock frequency can be changed from one stable clock rate to another stable clock rate under two conditions: (1) Self-Refresh mode and (2) Precharge Power-Down mode. Outside of these two modes, it is illegal to change the clock frequency.

For the first condition, once the DDR3(L) SDRAM has been successfully placed in to Self-Refresh mode and tCKSRE has been satisfied, the state of the clock becomes a don't care. Once a don't care, changing the clock frequency is permissible, provided the new clock frequency is stable prior to tCKSRX. When entering and exiting Self-Refresh mode of the sole purpose of changing the clock frequency. The DDR3(L) SDRAM input clock frequency is allowed to change only within the minimum and maximum operating frequency specified for the particular speed grade.

The second condition is when the DDR3(L) SDRAM is in Precharge Power-Down mode (either fast exit mode or slow exit mode). If the RTT\_Nom feature was enabled in the mode register prior to entering Precharge power down mode, the ODT signal must continuously be registered LOW ensuring RTT is in an off state. If the RTT\_Nom feature was disabled in the mode register prior to entering Precharge power down mode, RTT will remain in the off state. The ODT signal can be registered either LOW or HIGH in this case. A minimum of tCKSRE must occur after CKE goes LOW before the clock frequency may change. The DDR3(L) SDRAM input clock frequency is allowed to change only within the minimum and maximum operating frequency specified for the particular speed grade. During the input clock frequency change, ODT and CKE must be held at stable LOW levels. Once the input clock frequency is changed, stable new clocks must be provided to the DRAM tCKSRX before precharge Power Down may be exited; after Precharge Power Down is exited and tXP has expired, the DLL must be RESET via MRS. Depending on the new clock frequency additional MRS commands may need to be issued to appropriately set the WR, CL, and CWL with CKE continuously registered high. During DLL re-lock period, ODT must remain LOW and CKE must remain HIGH. After the DLL lock time, the DRAM is ready to operate with new clock frequency.

## Change Frequency during Precharge Power-down



### NOTES:

1. Applicable for both SLOW EXIT and FAST EXIT Precharge Power-down
2. tAOFPD and tAOF must be satisfied and outputs High-Z prior to T1; refer to ODT timing section for exact requirements
3. If the RTT\_NOM feature was enabled in the mode register prior to entering Precharge power down mode, the ODT signal must continuously be registered LOW ensuring RTT is in an off state. If the RTT\_NOM feature was disabled in the mode register prior to entering Precharge power down mode, RTT will remain in the off state. The ODT signal can be registered either LOW or HIGH in this case.

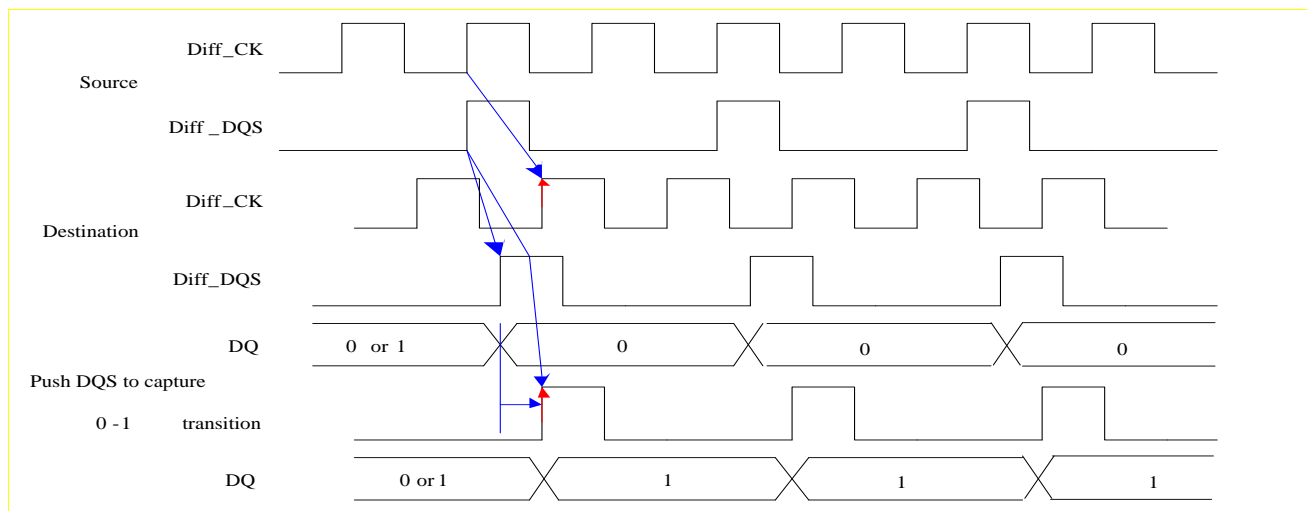


## Write Leveling

For better signal integrity, DDR3(L) memory adopted fly by topology for the commands, addresses, control signals, and clocks. The fly by topology has benefits from reducing number of stubs and their length but in other aspect, causes flight time skew between clock and strobe at every DRAM on DIMM. It makes it difficult for the Controller to maintain  $t_{DQSS}$ ,  $t_{DSS}$ , and  $t_{DSH}$  specification. Therefore, the controller should support “write leveling” in DDR3(L) SDRAM to compensate the skew.

The memory controller can use the “write leveling” feature and feedback from the DDR3(L) SDRAM to adjust the  $DQS - \overline{DQS}$  to  $CK - \overline{CK}$  relationship. The memory controller involved in the leveling must have adjustable delay setting on  $DQS - \overline{DQS}$  to align the rising edge of  $DQS - \overline{DQS}$  with that of the clock at the DRAM pin. DRAM asynchronously feeds back  $CK - \overline{CK}$ , sampled with the rising edge of  $DQS - \overline{DQS}$ , through the DQ bus. The controller repeatedly delays  $DQS - \overline{DQS}$  until a transition from 0 to 1 is detected. The  $DQS - \overline{DQS}$  delay established through this exercise would ensure  $t_{DQSS}$  specification. Besides  $t_{DQSS}$ ,  $t_{DSS}$ , and  $t_{DSH}$  specification also needs to be fulfilled. One way to achieve this is to combine the actual  $t_{DQSS}$  in the application with an appropriate duty cycle and jitter on the  $DQS - \overline{DQS}$  signals. Depending on the actual  $t_{DQSS}$  in the application, the actual values for  $t_{DQSL}$  and  $t_{DQSH}$  may have to be better than the absolute limits provided in “AC Timing Parameters” section in order to satisfy  $t_{DSS}$  and  $t_{DSH}$  specification. A conceptual timing of this scheme is show as below figure.

## Write Leveling Concept



$DQS/\overline{DQS}$  driven by the controller during leveling mode must be determined by the DRAM based on ranks populated. Similarly, the DQ bus driven by the DRAM must also be terminated at the controller.

A separated feedback mechanism should be able for each byte lane. The low byte lane’s prime DQ, DQ0, carries the leveling feedback to the controller across the DRAM configurations x4/x8 whereas DQ0 indicates the lower diff\_DQS (diff\_LDQS) to clock relationship. The high byte lane’s prime DQ, DQ8, provides the feedback of the upper diff\_DQS



(diff\_UDQS) to clock relationship.

## DRAM setting for write leveling and DRAM termination unction in that mode

DRAM enters into Write leveling mode if A7 in MR1 set “High” and after finishing leveling, DRAM exits from write leveling mode if A7 in MR1 set “Low”. Note that in write leveling mode, only  $\overline{DQS}/\overline{DQS}$  terminations are activated and deactivated via ODT pin not like normal operation.

### MR setting involved in the leveling procedure

Function	MR1	Enable	Disable
Write leveling enable	A7	1	0
Output buffer mode (Qoff)	A12	0	1

### DRAM termination function in the leveling mode

ODT pin at DRAM	$\overline{DQS}/\overline{DQS}$ termination	DQs termination
De-asserted	off	off
Asserted	on	off

Note: In write leveling mode with its output buffer disabled (MR1[bit7]=1 with MR1[bit12]=1) all RTT\_Nom settings are allowed; in Write Leveling Mode with its output buffer enabled (MR1[bit7]=1 with MR1[bit12]=0) only RTT\_Nom settings of RZQ/2, RZQ/4, and RZQ/6 are allowed.

## Procedure Description

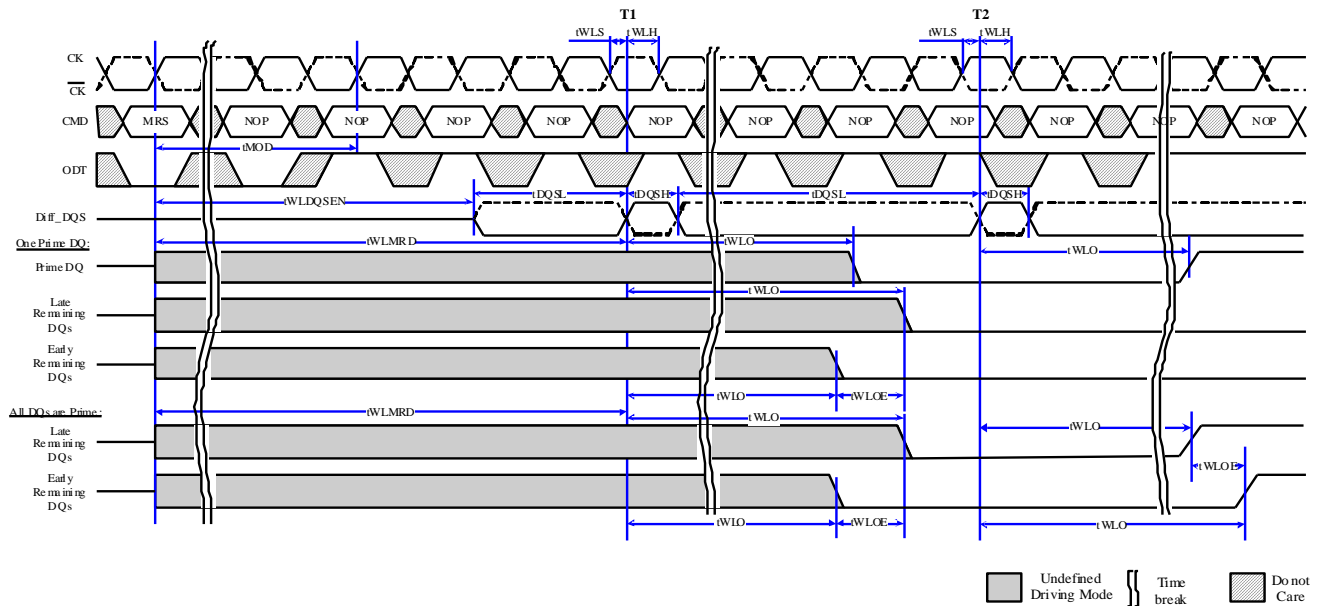
Memory controller initiates Leveling mode of all DRAMs by setting bit 7 of MR1 to 1. With entering write leveling mode, the DQ pins are in undefined driving mode. During write leveling mode, only NOP or Deselect commands are allowed. As well as an MRS command to exit write leveling mode. Since the controller levels one rank at a time, the output of other rank must be disabled by setting MR1 bit A12 to 1. Controller may assert ODT after tMOD, time at which DRAM is ready to accept the ODT signal.

Controller may drive DQS low and  $\overline{DQS}$  high after a delay of tWLDQSEN, at which time DRAM has applied on-die termination on these signals. After tDQSL and tWLMRD controller provides a single DQS,  $\overline{DQS}$  edge which is used by the DRAM to sample CK -  $\overline{CK}$  driven from controller. tWLMRD (max) timing is controller dependent.

DRAM samples CK -  $\overline{CK}$  status with rising edge of DQS and provides feedback on all the DQ bits asynchronously after tWLO timing. There is a DQ output uncertainty of tWLOE defined to allow mismatch on DQ bits; there are no read strobes (DQS/DQS) needed for these DQs. Controller samples incoming DQ and decides to increment or decrement DQS -  $\overline{DQS}$  delay setting and launches the next  $\overline{DQS}/\overline{DQS}$  pulse after some time, which is controller dependent. Once a 0 to 1 transition is detected, the controller locks DQS -  $\overline{DQS}$  delay setting and write leveling is achieved for the device. The following figure describes the timing diagram and parameters for the overall Write leveling procedure.

## Timing details of Write leveling sequence (For Information. Only Support prime DQ)

DQS -  $\overline{\text{DQS}}$  is capturing CK -  $\overline{\text{CK}}$  low at T1 and CK -  $\overline{\text{CK}}$  high at T2



### Note:

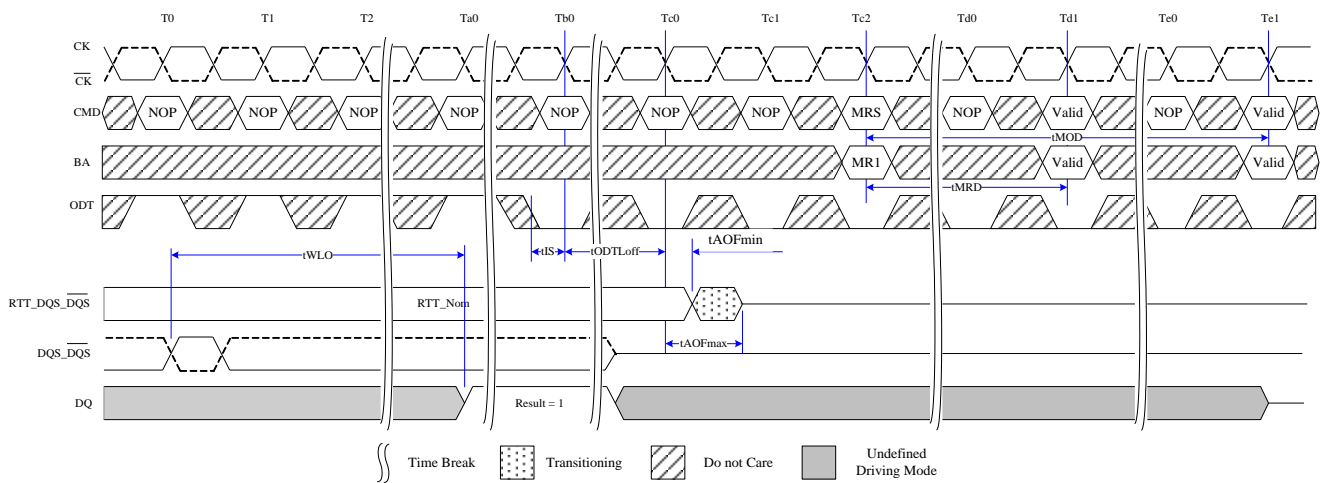
1. DRAM has the option to drive leveling feedback on a prime DQ or all DQs. If feedback is driven only on one DQ, the remaining DQs must be driven low as shown in above Figure, and maintained at this state through out the leveling procedure.
2. MRS: Load MR1 to enter write leveling mode
3. NOP: NOP or deselect
4. diff\_DQS is the differential data strobe (DQS,  $\overline{\text{DQS}}$ ). Timing reference points are the zero crossings. DQS is shown with solid line,  $\overline{\text{DQS}}$  is shown with dotted line.
6. DQS/ $\overline{\text{DQS}}$  needs to fulfill minimum pulse width requirements tDQSH(min) and tDQSL(min) as defined for regular Writes; the max pulse width is system dependent.

## Write Leveling Mode Exit

The following sequence describes how Write Leveling Mode should be exited:

1. After the last rising strobe edge (see ~T0), stop driving the strobe signals (see ~Tc0). Note: From now on, DQ pins are in undefined driving mode, and will remain undefined, until tMOD after the respective MR command (Te1).
2. Drive ODT pin low (tIS must be satisfied) and keep it low (see Tb0).
3. After the RTT is switched off, disable Write Level Mode via MRS command (see Tc2).
4. After tMOD is satisfied (Te1), any valid command may be registered. (MR commands may be issued after tMRD (Td1)).

## Timing detail of Write Leveling exit



## Extended Temperature Usage

Nanya's DDR3(L) SDRAM supports the optional extended temperature range of 0°C to +95°C, TC. Thus, the SRT and ASR options must be used at a minimum. The extended temperature range DRAM must be refreshed externally at 2X (double refresh) anytime the case temperature is above +85°C (in supporting temperature range). The external refreshing requirement is accomplished by reducing the refresh period from 64ms to 32ms. However, self refresh mode requires either ASR or SRT to support the extended temperature. Thus either ASR or SRT must be enabled when TC is above +85°C or self refresh cannot be used until the case temperature is at or below +85°C.

## Mode Register Description

Field	Bits	Description
ASR	MR2(A6)	<b>Auto Self-Refresh (ASR)</b> When enabled, DDR3(L) SDRAM automatically provides Self-Refresh power management functions for all supported operating temperature values. If not enabled, the SRT bit must be programmed to indicate $T_{OPER}$ during subsequent Self-Refresh operation.  0 = Manual SR Reference (SRT) 1 = ASR enable
SRT	MR2(A7)	<b>Self-Refresh Temperature (SRT) Range</b> If ASR = 0, the SRT bit must be programmed to indicate $T_{OPER}$ during subsequent Self-Refresh operation. If ASR = 1, SRT bit must be set to 0.  0 = Normal operating temperature range 1 = Extended operating temperature range

## Auto Self-Refresh mode - ASR mode

DDR3(L) SDRAM provides an Auto-Refresh mode (ASR) for application ease. ASR mode is enabled by setting MR2 bit A6=1 and MR2 bit A7=0. The DRAM will manage Self-Refresh entry in either the Normal or Extended Temperature Ranges. In this mode, the DRAM will also manage Self-Refresh power consumption when the DRAM operating temperature changes, lower at low temperatures and higher at high temperatures. If the ASR option is not supported by DRAM, MR2 bit A6 must set to 0. If the ASR option is not enabled (MR2 bit A6=0), the SRT bit (MR2 bit A7) must be manually programmed with the operating temperature range required during Self-Refresh operation. Support of the ASR option does not automatically imply support of the Extended Temperature Range.

## Self-Refresh Temperature Range - SRT

SRT applies to devices supporting Extended Temperature Range only. If ASR=0, the Self-Refresh Temperature (SRT) Range bit must be programmed to guarantee proper self-refresh operation. If SRT=0, then the DRAM will set an appropriate refresh rate for Self-Refresh operation in the Normal Temperature Range. If SRT=1, then the DRAM will set an appropriate, potentially different, refresh rate to allow Self-Refresh operation in either the Normal or Extended Temperature Ranges. The value of the SRT bit can effect self-refresh power consumption, please refer to IDD table for details.

## Self-Refresh mode summary

MR2 A[6]	MR2 A[7]	Self-Refresh operation	Allowed Operating Temperature Range for Self-Refresh mode
0	0	Self-Refresh rate appropriate for the Normal Temperature Range	Normal <sup>1</sup>
0	1	Self-Refresh appropriate for either the Normal or Extended Temperature Ranges. The DRAM must support Extended Temperature Range. The value of the SRT bit can effect self-refresh power consumption, please refer to the IDD table for details.	Normal and Extended <sup>2</sup>
1	0	ASR enabled (for devices supporting ASR and Normal Temperature Range). Self-Refresh power consumption is temperature dependent.	Normal <sup>1</sup>
1	0	ASR enabled (for devices supporting ASR and Extended Temperature Range). Self-Refresh power consumption is temperature dependent.	Normal and Extended <sup>2</sup>
1	1	Illegal	

### NOTES:

1. The Normal range depends on product's grade.

- Commercial Grade = 0°C~85°C
- Quasi Industrial Grade (-T) = -40°C~85°C
- Industrial Grade (-I) = -40°C~85°C

2. The Normal and Extended range depends on product's grade.

- Commercial Grade = 0°C~95°C
- Quasi Industrial Grade (-T) = -40°C~95°C
- Industrial Grade (-I) = -40°C~95°C

## MPR MR3 Register Definition

MR3 A[2]	MR3 A[1:0]	Function
0	don't care (0 or 1)	Normal operation, no MPR transaction. All subsequent Reads will come from DRAM array. All subsequent Writes will go to DRAM array.
1	See the following table	Enable MPR mode, subsequent RD/RDA commands defined by MR3 A[1:0].

## MPR Functional Description

- One bit wide logical interface via all DQ pins during READ operation.
- Register Read on x8:
- DQ [0] drives information from MPR.
- DQ [7:1] either drive the same information as DQ [0], or they drive 0.
- Register Read on x16:
- DQL[0] and DQU[0] drive information from MPR.
- DQ L[7:1] and DQU [7:1] either drive the same information as DQL [0], or they drive 0.
- Addressing during for Multi Purpose Register reads for all MPR agents:
- BA [2:0]: don't care.
- A [1:0]: A [1:0] must be equal to "00". Data read burst order in nibble is fixed.
- A[2]: For BL=8, A[2] must be equal to 0, burst order is fixed to [0,1,2,3,4,5,6,7]; For Burst chop 4 cases, the burst order is switched on nibble base, A[2]=0, burst order: 0,1,2,3, A[2]=1, burst order: 4,5,6,7. \*)
- A [9:3]: don't care.
- A10/AP: don't care.
- A12/BC: Selects burst chop mode on-the-fly, if enabled within MR0
- A11, A13: don't care.
- Regular interface functionality during register reads:
- Support two Burst Ordering which are switched with A2 and A[1:0]=00.
- Support of read burst chop (MRS and on-the-fly via A12/BC).
- All other address bits (remaining column addresses bits including A10, all bank address bits) will be ignored by the DDR3(L) SDRAM.
- Regular read latencies and AC timings apply.
- DLL must be locked prior to MPR READs.

Note: Burst order bit 0 is assigned to LSB and burst order bit 7 is assigned to MSB of the selected MPR agent.

## MPR Register Address Definition

The following table provide an overview of the available data location, how they are addressed by MR3 A[1:0] during a MRS to MR3, and how their individual bits are mapped into the burst order bits during a Multi Purpose Register Read.

### MPR MR3 Register Definition

MR3 A[2]	MR3 A[1:0]	Function	Burst Length	Read Address A[2:0]	Burst Order and Data Pattern
1	00	Read Predefined Pattern for System Calibration	BL8	000	Burst order 0,1,2,3,4,5,6,7 Pre-defined Data Pattern [0,1,0,1,0,1,0,1]
			BC4	000	Burst order 0,1,2,3 Pre-defined Data Pattern [0,1,0,1]
			BC4	100	Burst order 4,5,6,7 Pre-defined Data Pattern [0,1,0,1]
1	01	RFU	BL8	000	Burst order 0,1,2,3,4,5,6,7
			BC4	000	Burst order 0,1,2,3
			BC4	100	Burst order 4,5,6,7
1	10	RFU	BL8	000	Burst order 0,1,2,3,4,5,6,7
			BC4	000	Burst order 0,1,2,3
			BC4	100	Burst order 4,5,6,7
1	11	RFU	BL8	000	Burst order 0,1,2,3,4,5,6,7
			BC4	000	Burst order 0,1,2,3
			BC4	100	Burst order 4,5,6,7

Note: Burst order bit 0 is assigned to LSB and the burst order bit 7 is assigned to MSB of the selected MPR agent.



## ACTIVE Command

The ACTIVE command is used to open (or activate) a row in a particular bank for subsequent access. The value on the BA0-BA2 inputs selects the bank, and the addresses provided on inputs A0-A15 selects the row. These rows remain active (or open) for accesses until a precharge command is issued to that bank. A PRECHARGE command must be issued before opening a different row in the same bank.

## PRECHARGE Command

The PRECHARGE command is used to deactivate the open row in a particular bank or the open row in all banks. The bank(s) will be available for a subsequent row activation a specified time ( $t_{RP}$ ) after the PRECHARGE command is issued, except in the case of concurrent auto precharge, where a READ or WRITE command to a different bank is allowed as long as it does not interrupt the data transfer in the current bank and does not violate any other timing parameters. Once a bank has been precharged, it is in the idle state and must be activated prior to any READ or WRITE commands being issued to that bank. A PRECHARGE command is allowed if there is no open row in that bank (idle bank) or if the previously open row is already in the process of precharging. However, the precharge period will be determined by the last PRECHARGE command issued to the bank.

## READ Operation

### Read Burst Operation

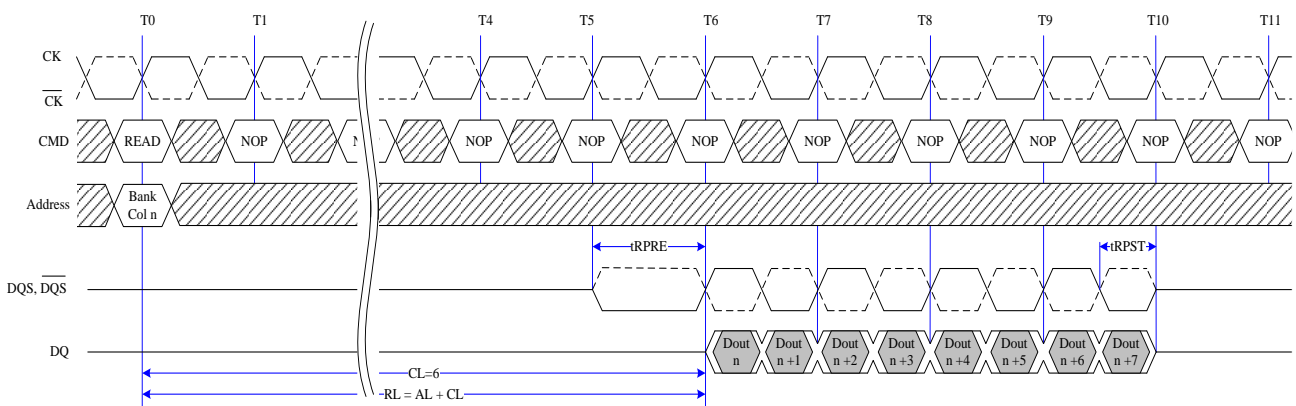
During a READ or WRITE command DDR3(L) will support BC4 and BL8 on the fly using address A12 during the READ or WRITE (AUTO PRECHARGE can be enabled or disabled).

A12=0, BC4 (BC4 = burst chop, tCCD=4)

A12=1, BL8

A12 is used only for burst length control, not as a column address.

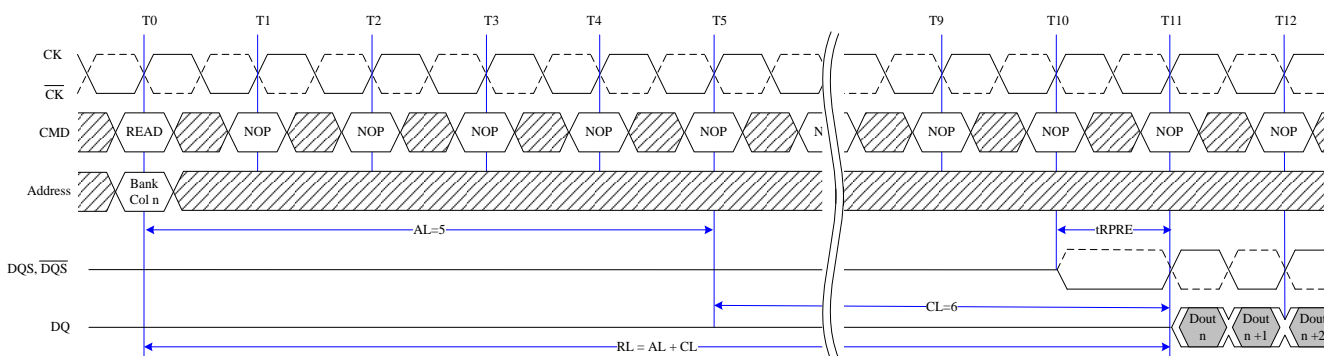
### Read Burst Operation RL=6 (AL=0, CL=6, BL=8)



#### Notes:

1. BL8, RL = 6, AL = 0, CL = 6.
2.  $D_{OUT\ n}$  = data-out from column n.
3. NOP commands are shown for ease of illustration; other commands may be valid at these times.
4. BL8 setting activated by either MR0[A1:0 = 00] or MR0[A1:0 = 01] and A12 = 1 during READ command at T0.

### READ Burst Operation RL = 11 (AL=5, CL=6, BL=8)



#### Notes:

1. BL8, RL = 11, AL = (CL - 1), CL = 6.
2.  $D_{OUT\ n}$  = data-out from column n.
3. NOP commands are shown for ease of illustration; other commands may be valid at these times.
4. BL8 setting activated by either MR0[A1:0 = 00] or MR0[A1:0 = 01] and A12 = 1 during READ command at T0.

## READ Timing Definitions

Read timing is shown in the following figure and is applied when the DLL is enabled and locked.

Rising data strobe edge parameters:

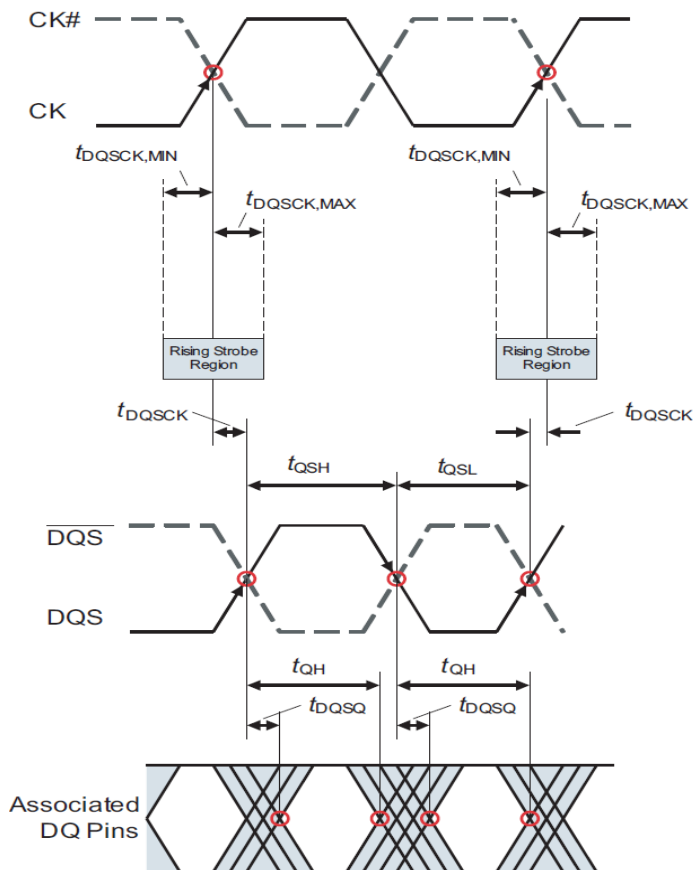
- $t_{DQSCK,MIN}$  describes the allowed range for a rising data strobe edge relative to  $CK, \overline{CK}$ .
- $t_{DQSCK}$  is the actual position of a rising strobe edge relative to  $CK, \overline{CK}$ .
- $t_{QSH}$  describes the  $DQS, \overline{DQS}$  differential output high time.
- $t_{DQSQ}$  describes the latest valid transition of the associated DQ pins.
- $t_{QH}$  describes the earliest invalid transition of the associated DQ pins.

Falling data strobe edge parameters:

- $t_{QSL}$  describes the  $DQS, \overline{DQS}$  differential output low time.
- $t_{DQSQ}$  describes the latest valid transition of the associated DQ pins.
- $t_{QH}$  describes the earliest invalid transition of the associated DQ pins.

$t_{DQSQ}$ ; both rising/falling edges of  $DQS$ , no  $t_{AC}$  defined.

## READ Timing Definition



## Read Timing; Clock to Data Strobe relationship

Clock to Data Strobe relationship is shown in the following figure and is applied when the DLL is enabled and locked.

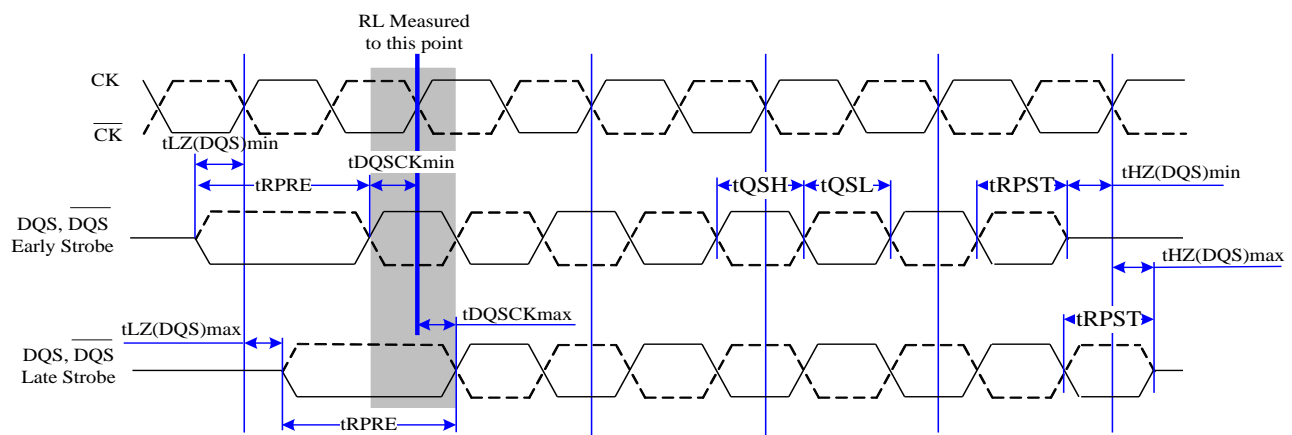
Rising data strobe edge parameters:

- $t_{DQ\overline{S}CK}$  min/max describes the allowed range for a rising data strobe edge relative to CK and  $\overline{CK}$ .
- $t_{DQ\overline{S}CK}$  is the actual position of a rising strobe edge relative to CK and  $\overline{CK}$ .
- $t_{QSH}$  describes the data strobe high pulse width.

Falling data strobe edge parameters:

- $t_{QSL}$  describes the data strobe low pulse width.

## Clock to Data Strobe Relationship



### NOTES:

1. Within a burst, rising strobe edge is not necessarily fixed to be always at  $t_{DQ\overline{S}CK}(min)$  or  $t_{DQ\overline{S}CK}(max)$ . Instead, rising strobe edge can vary between  $t_{DQ\overline{S}CK}(min)$  and  $t_{DQ\overline{S}CK}(max)$ .
2. The  $DQS, \overline{DQS}$  differential output high time is defined by  $t_{QSH}$  and the  $DQS, \overline{DQS}$  differential output low time is defined by  $t_{QSL}$ .
3. Likewise,  $t_{LZ(DQS)min}$  and  $t_{HZ(DQS)min}$  are not tied to  $t_{DQ\overline{S}CK}(min)$  (early strobe case) and  $t_{LZ(DQS)max}$  and  $t_{HZ(DQS)max}$  are not tied to  $t_{DQ\overline{S}CK}(max)$  (late strobe case).
4. The minimum pulse width of read preamble is defined by  $t_{RPRE}(min)$ .
5. The maximum read postamble is bound by  $t_{DQ\overline{S}CK}(min)$  plus  $t_{QSH}(min)$  on the left side and  $t_{HZ(DQS)max}$  on the right side.
6. The minimum pulse width of read postamble is defined by  $t_{RPST}(min)$ .
7. The maximum read preamble is bound by  $t_{LZ(DQS)min}$  on the left side and  $t_{DQ\overline{S}CK}(max)$  on the right side.

## Read Timing; Data Strobe to Data Relationship

The Data Strobe to Data relationship is shown in the following figure and is applied when the DLL is enabled and locked.

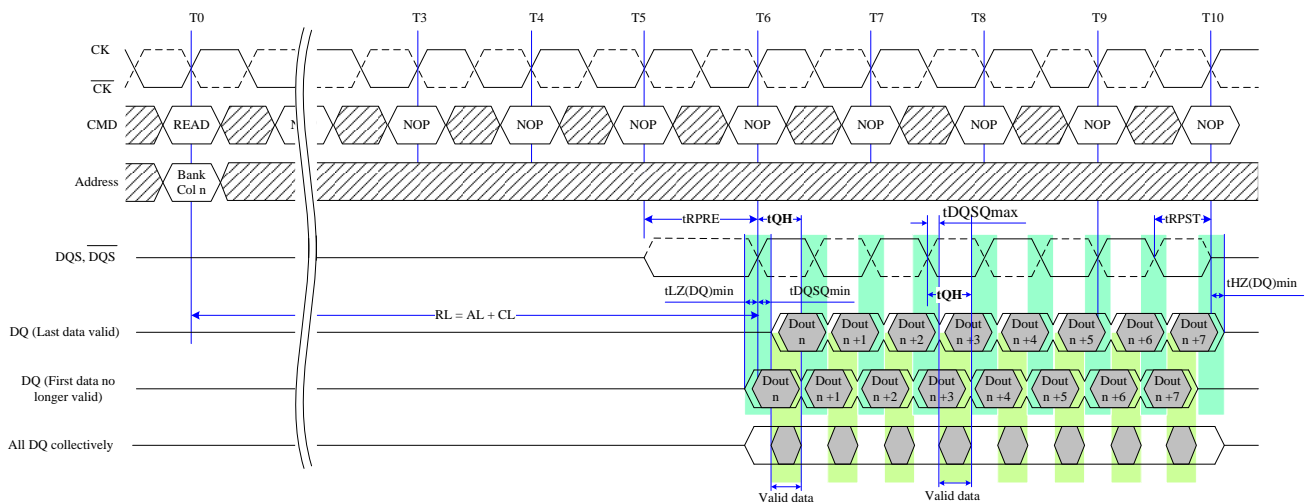
Rising data strobe edge parameters:

- tDQSQ describes the latest valid transition of the associated DQ pins.
- tQH describes the earliest invalid transition of the associated DQ pins.

Falling data strobe edge parameters:

- tDQSQ describes the latest valid transition of the associated DQ pins.
- tQH describes the earliest invalid transition of the associated DQ pins.
- tDQSQ; both rising/falling edges of DQS, no tAC defined

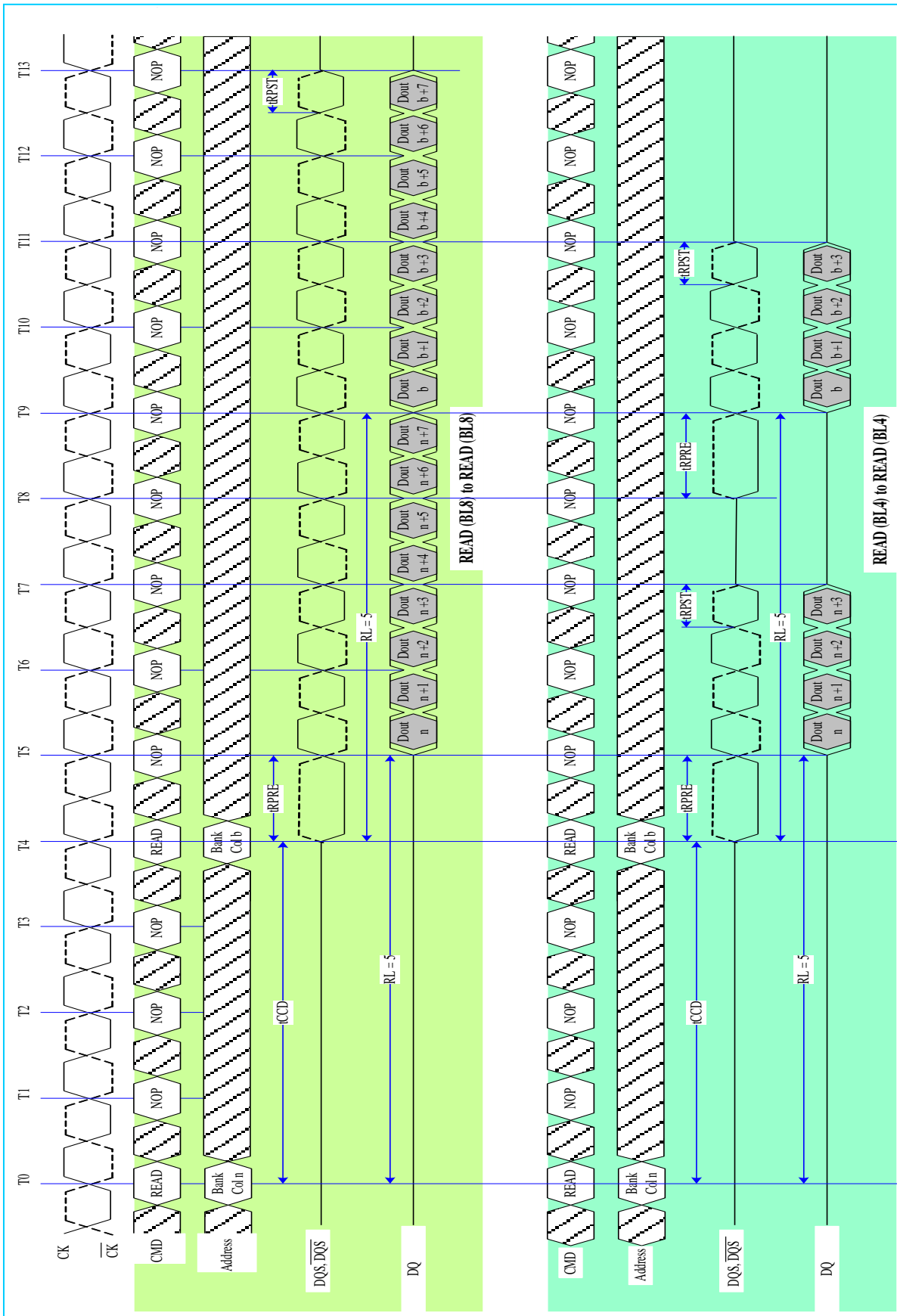
## Data Strobe to Data Relationship



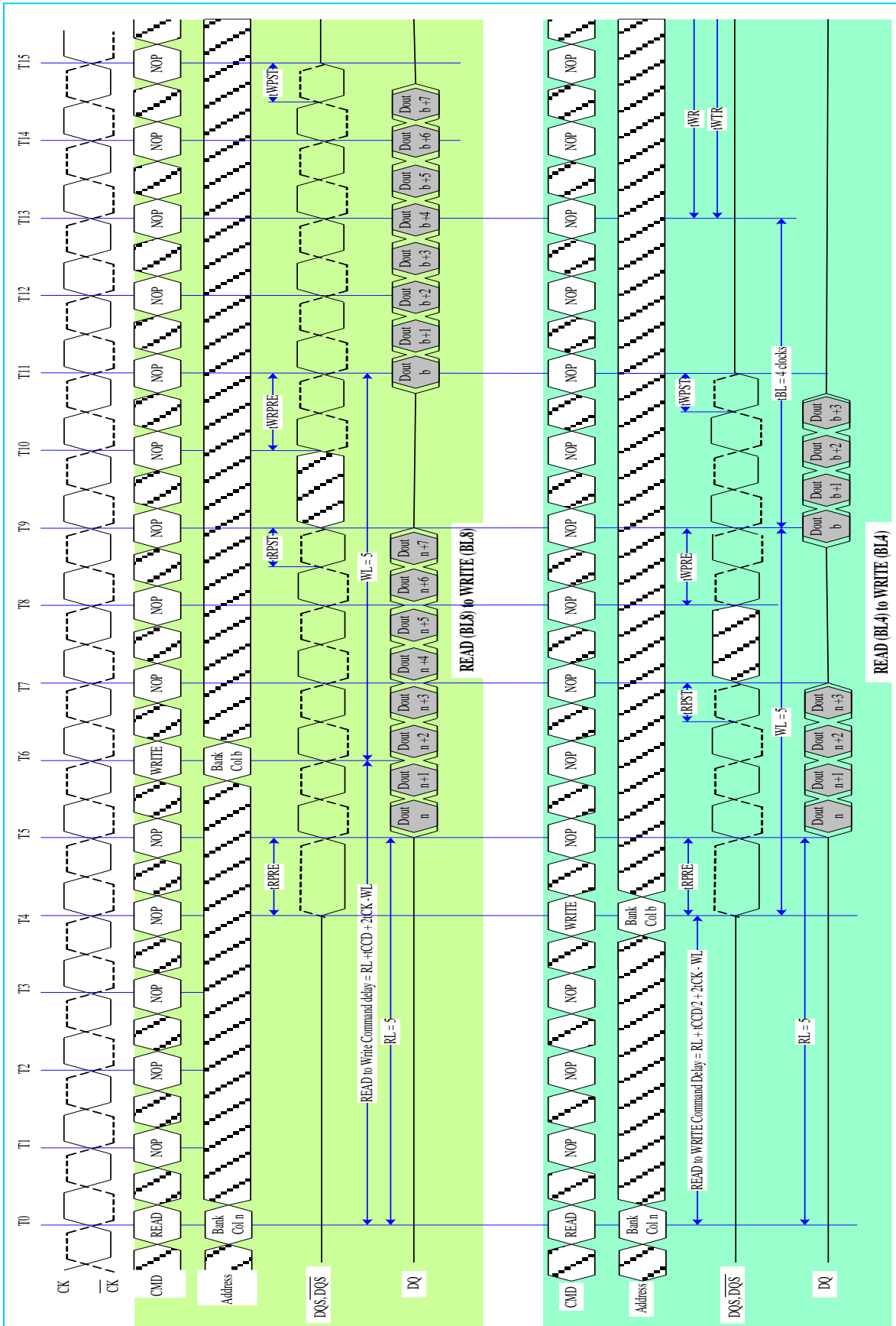
### Notes:

1. BL = 8, RL = 6 (AL = 0, CL = 6)
2. D<sub>OUT</sub> n = data-out from column n.
3. NOP commands are shown for ease of illustration; other commands may be valid at these times.
4. BL8 setting activated by either MR0[A1:0 = 00] or MR0[A1:0 = 01] and A12 = 1 during READ command at T0.
5. Output timings are referenced to VDDQ/2, and DLL on for locking.
6. tDQSQ defines the skew between DQS,  $\overline{DQS}$  to Data and does not define DQS,  $\overline{DQS}$  to Clock.
7. Early Data transitions may not always happen at the same DQ. Data transitions of a DQ can vary (either early or late) within a burst.

Read to Read (CL=5, AL=0)

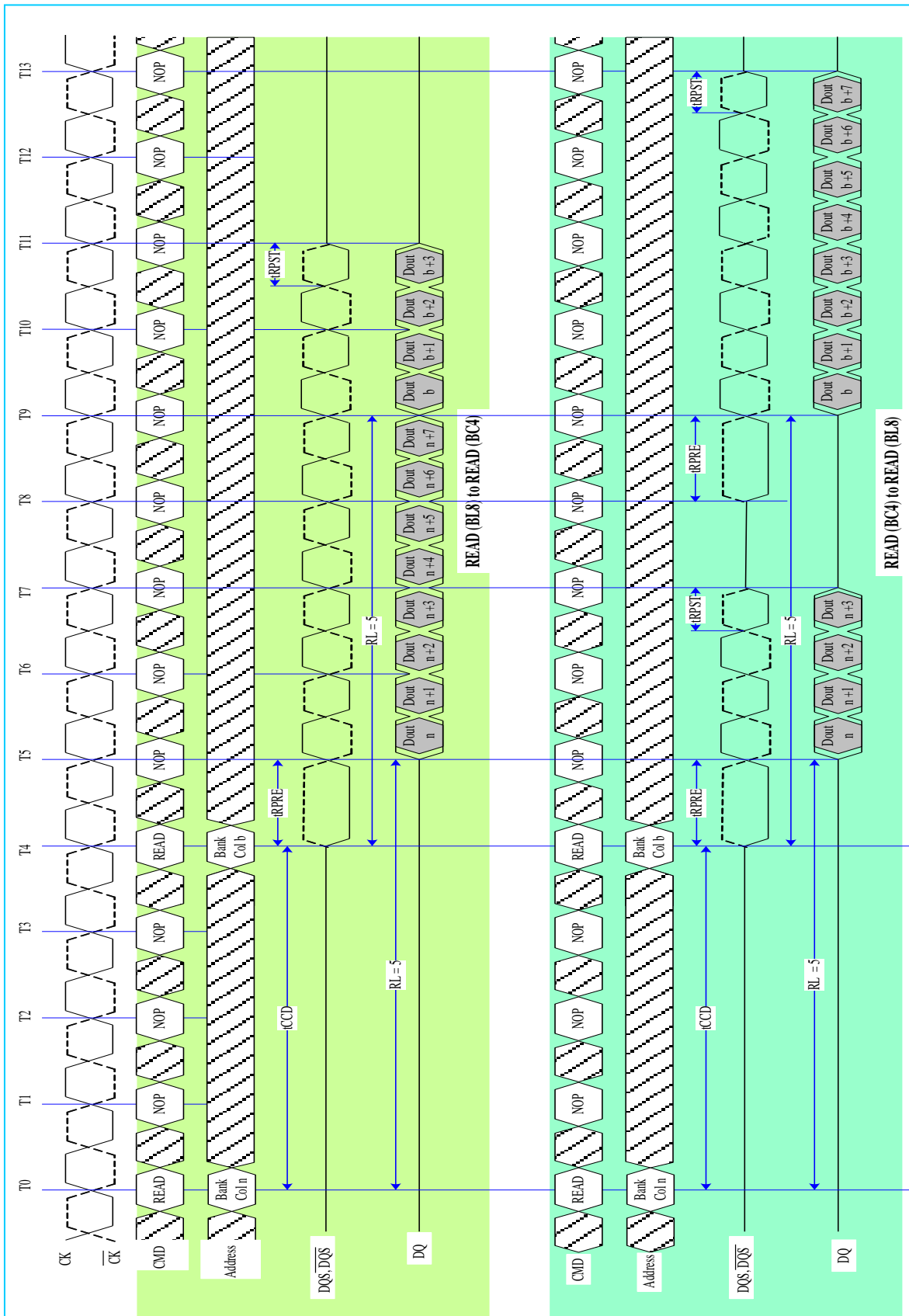


READ to WRITE (CL=5, AL=0; CWL=5, AL=0)

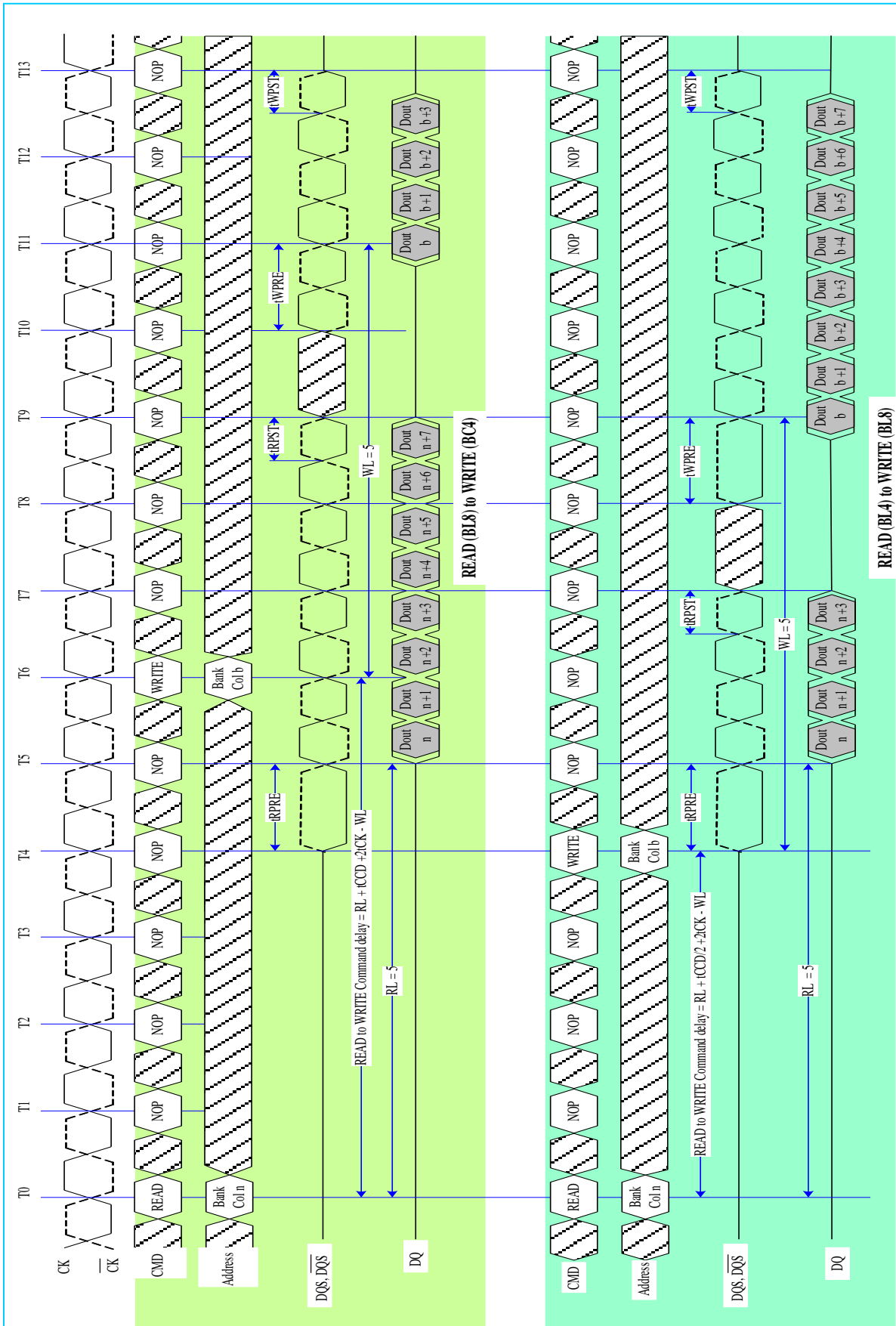




READ to READ (CL=5, AL=0)



READ to WRITE (CL=5, AL=0; CWL=5, AL=0)



## Write Operation

### DDR3(L) Burst Operation

During a READ or WRITE command, DDR3(L) will support BC4 and BL8 on the fly using address A12 during the READ or WRITE (Auto Precharge can be enabled or disabled).

A12=0, BC4 (BC4 = Burst Chop, tCCD=4)

A12=1, BL8

A12 is used only for burst length control, not as a column address.

### WRITE Timing Violations

#### Motivation

Generally, if timing parameters are violated, a complete reset/initialization procedure has to be initiated to make sure the DRAM works properly. However, it is desirable for certain minor violations that the DRAM is guaranteed not to “hang up” and errors be limited to that particular operation.

For the following, it will be assumed that there are no timing violations with regard to the Write command itself (including ODT, etc.) and that it does satisfy all timing requirements not mentioned below.

#### Data Setup and Hold Violations

Should the data to strobe timing requirements (tDS, tDH) be violated, for any of the strobe edges associated with a write burst, then wrong data might be written to the memory location addressed with the offending WRITE command.

Subsequent reads from that location might result in unpredictable read data, however, the DRAM will work properly otherwise.

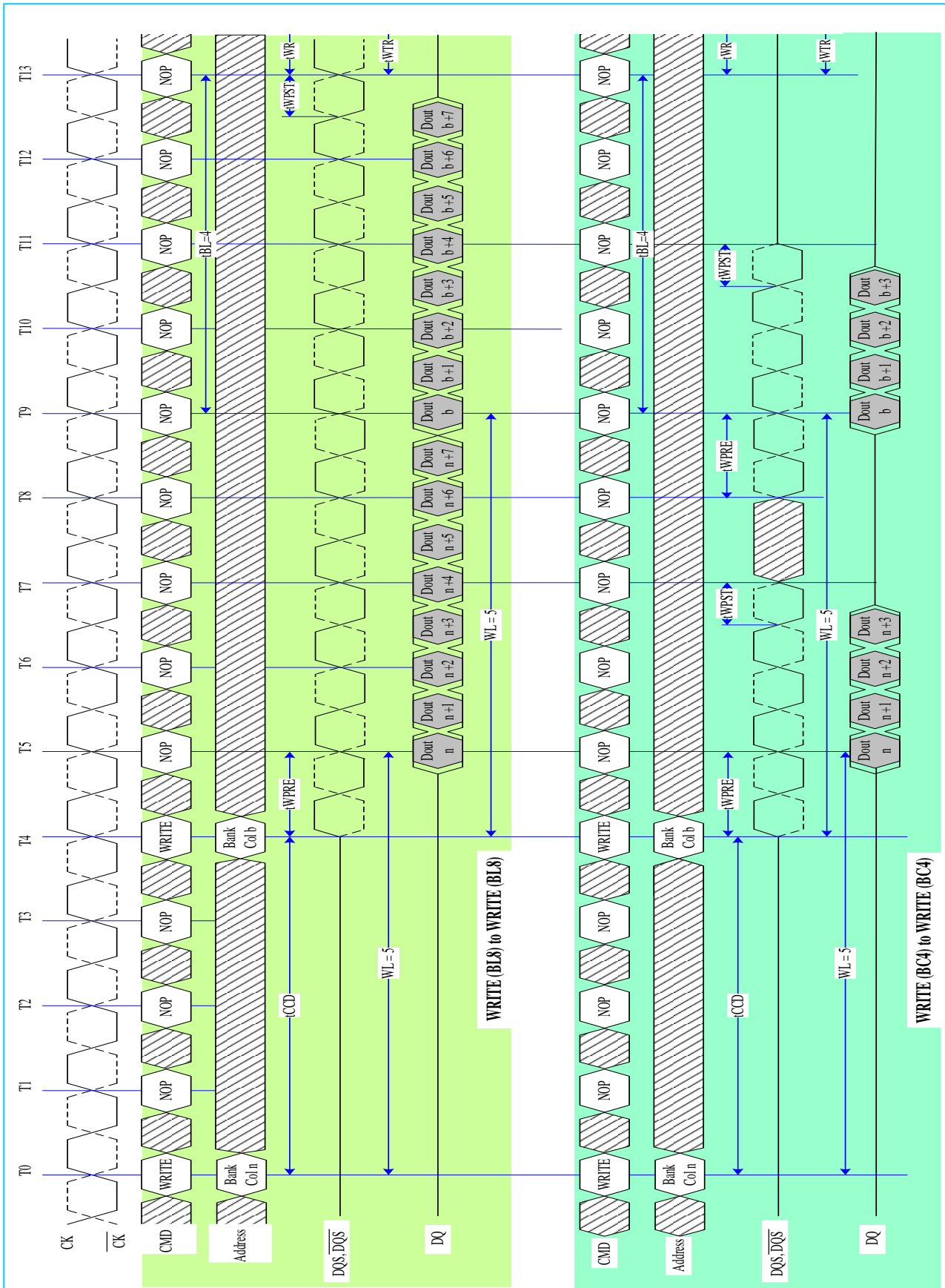
#### Strobe to Strobe and Strobe to Clock Violations

Should the strobe timing requirements (tDQSH, tDQSL, tWPRE, tWPST) or the strobe to clock timing requirements (tDSS, tDSH, tDQSS) be violated, for any of the strobe edges associated with a Write burst, then wrong data might be written to the memory location addressed with the offending WRITE command. Subsequent reads from that location might result in unpredictable read data, however the DRAM will work properly otherwise.

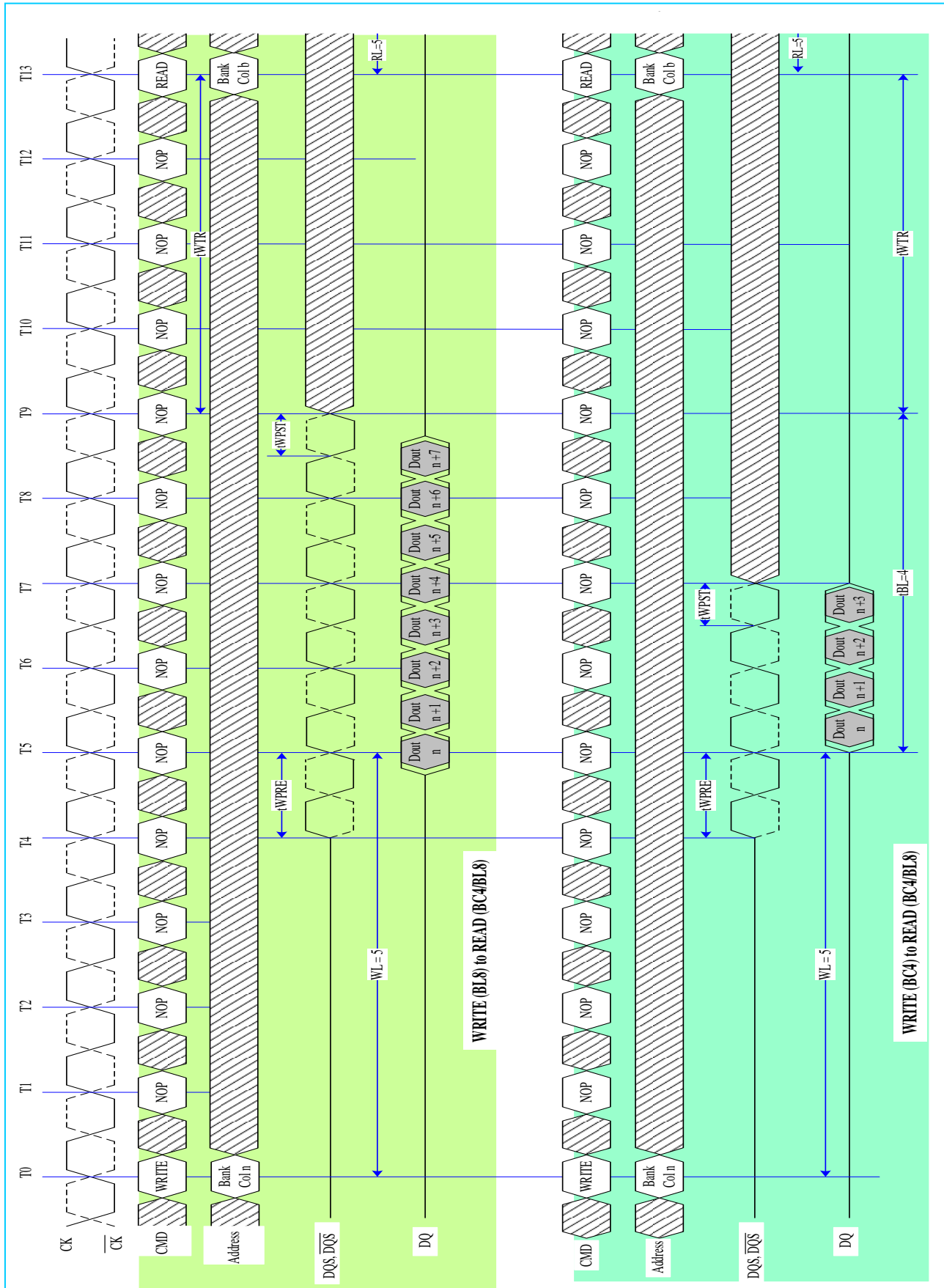
#### Write Timing Parameters

This drawing is for example only to enumerate the strobe edges that “belong” to a write burst. No actual timing violations are shown here. For a valid burst all timing parameters for each edge of a burst need to be satisfied (not only for one edge - as shown).

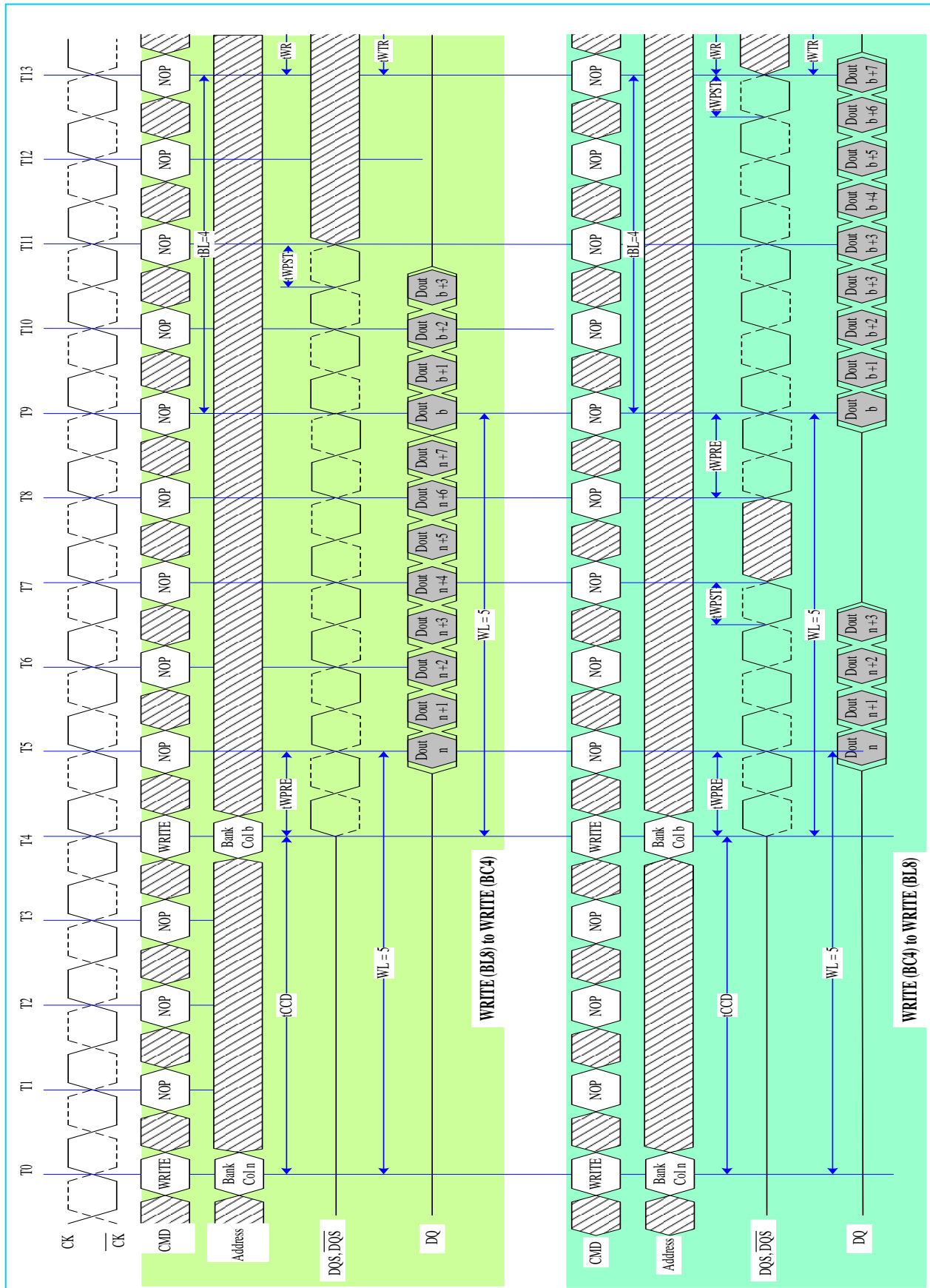
WRITE to WRITE (WL=5; CWL=5, AL=0)



WRITE to READ (RL=5, CL=5, AL=0; WL=5, CWL=5, AL=0; BL=4)



WRITE to WRITE (WL=5, CWL=5, AL=0)

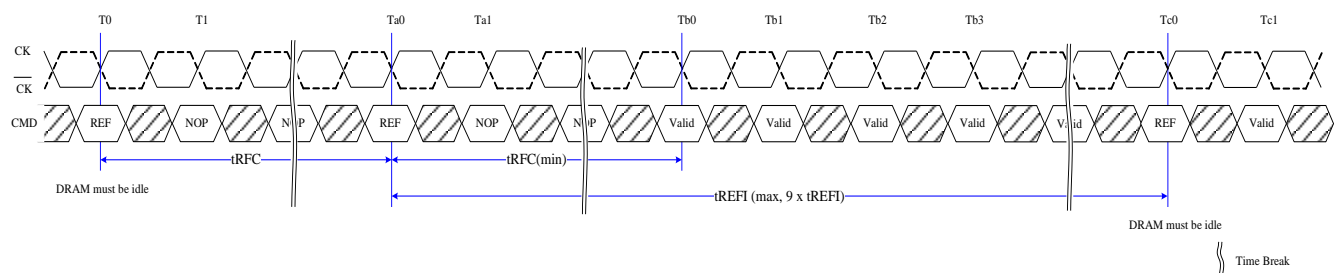


## Refresh Command

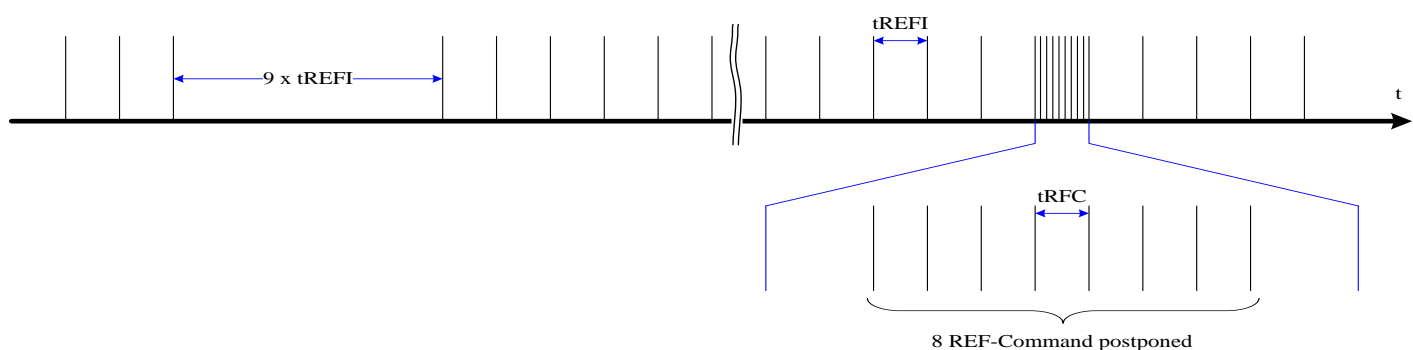
The Refresh command (REF) is used during normal operation of the DDR3(L) SDRAMs. This command is not persistent, so it must be issued each time a refresh is required. The DDR3(L) SDRAM requires Refresh cycles at an average periodic interval of  $t_{REFI}$ . When  $\overline{CS}$ ,  $\overline{RAS}$ , and  $\overline{CAS}$  are held Low and  $\overline{WE}$  High at the rising edge of the clock, the chip enters a Refresh cycle. All banks of the SDRAM must be precharged and idle for a minimum of the precharge time  $t_{RP}(\min)$  before the Refresh Command can be applied. The refresh addressing is generated by the internal refresh controller. This makes the address bits “Don’t Care” during a Refresh command. An internal address counter supplies the address during the refresh cycle. No control of the external address bus is required once this cycle has started. When the refresh cycle has completed, all banks of the SDRAM will be in the precharged (idle) state. A delay between the Refresh Command and the next valid command, except NOP or DES, must be greater than or equal to the minimum Refresh cycle time  $t_{RFC}(\min)$  as shown in the following figure.

In general, a Refresh command needs to be issued to the DDR3(L) SDRAM regularly every  $t_{REFI}$  interval. To allow for improved efficiency in scheduling and switching between tasks, some flexibility in the absolute refresh interval is provided. A maximum of 8 Refresh commands can be postponed during operation of the DDR3(L) SDRAM, meaning that at no point in time more than a total of 8 Refresh commands are allowed to be postponed. In case that 8 Refresh commands are postponed in a row, the resulting maximum interval between the surrounding Refresh commands is limited to  $9 \times t_{REFI}$ . A maximum of 8 additional Refresh commands can be issued in advance (“pulled in”), with each one reducing the number of regular Refresh commands required later by one. Note that pulling in more than 8 Refresh commands in advance does not further reduce the number of regular Refresh commands required later, so that the resulting maximum interval between two surrounding Refresh command is limited to  $9 \times t_{REFI}$ . Before entering Self-Refresh Mode, all postponed Refresh commands must be executed.

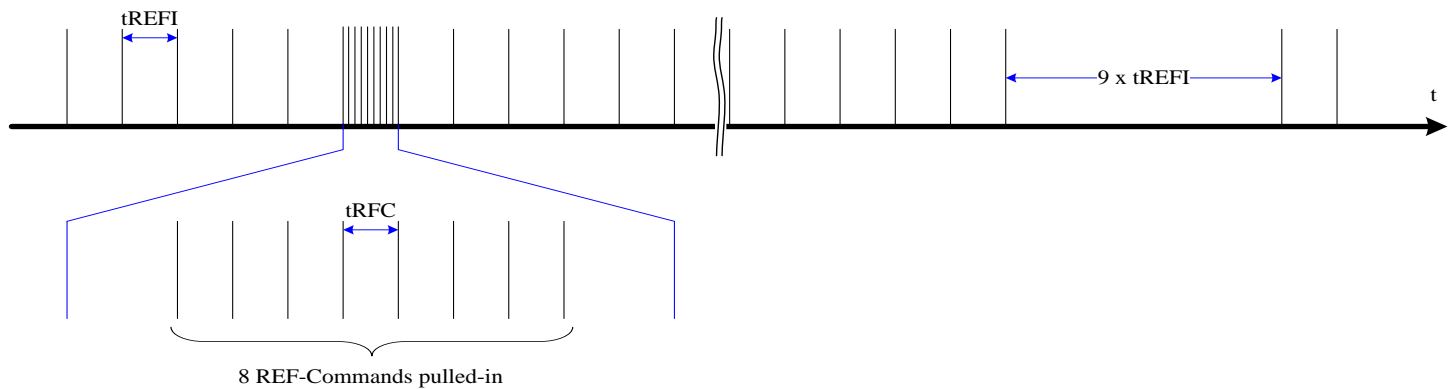
## Self-Refresh Entry/Exit Timing



## Postponing Refresh Commands (Example)



## Pulled-in Refresh Commands (Example)



## Self-Refresh Operation

The Self-Refresh command can be used to retain data in the DDR3(L) SDRAM, even if the reset of the system is powered down. When in the Self-Refresh mode, the DDR3(L) SDRAM retains data without external clocking. The DDR3(L) SDRAM device has a built-in timer to accommodate Self-Refresh operation. The Self-Refresh Entry (SRE) Command is defined by having  $\overline{CS}$ ,  $\overline{RAS}$ ,  $\overline{CAS}$ , and  $\overline{CKE}$  held low with WE high at the rising edge of the clock.

Before issuing the Self-Refreshing-Entry command, the DDR3(L) SDRAM must be idle with all bank precharge state with tRP satisfied. Also, on-die termination must be turned off before issuing Self-Refresh-Entry command, by either registering ODT pin low "ODTL + 0.5tCK" prior to the Self-Refresh Entry command or using MRS to MR1 command. Once the Self-Refresh Entry command is registered, CKE must be held low to keep the device in Self-Refresh mode. During normal operation (DLL on), MR1 (A0=0), the DLL is automatically disabled upon entering Self-Refresh and is automatically enabled (including a DLL-RESET) upon exiting Self-Refresh.

When the DDR3(L) SDRAM has entered Self-Refresh mode, all of the external control signals, except CKE and  $\overline{RESET}$ , are "don't care". For proper Self-Refresh operation, all power supply and reference pins (VDD, VDDQ, VSS, VSSQ, VRefCA, and VRefDQ) must be at valid levels. The DRAM initiates a minimum of one Refresh command internally within tCKE period once it enters Self-Refresh mode.

The clock is internally disabled during Self-Refresh operation to save power. The minimum time that the DDR3(L) SDRAM must remain in Self-Refresh mode is tCKE. The user may change the external clock frequency or halt the external clock tCKSRE after Self-Refresh entry is registered; however, the clock must be restarted and stable tCKSRX before the device can exit Self-Refresh mode.

The procedure for exiting Self-Refresh requires a sequence of events. First, the clock must be stable prior to CKE going back HIGH. Once a Self-Refresh Exit Command (SRX, combination of CKE going high and either NOP or Deselect on command bus) is registered, a delay of at least tXS must be satisfied before a valid command not requiring a locked DLL can be issued to the device to allow for any internal refresh in progress. Before a command which requires a locked DLL can be applied, a delay of at least tXSDLL and applicable ZQCAL function requirements must be satisfied.

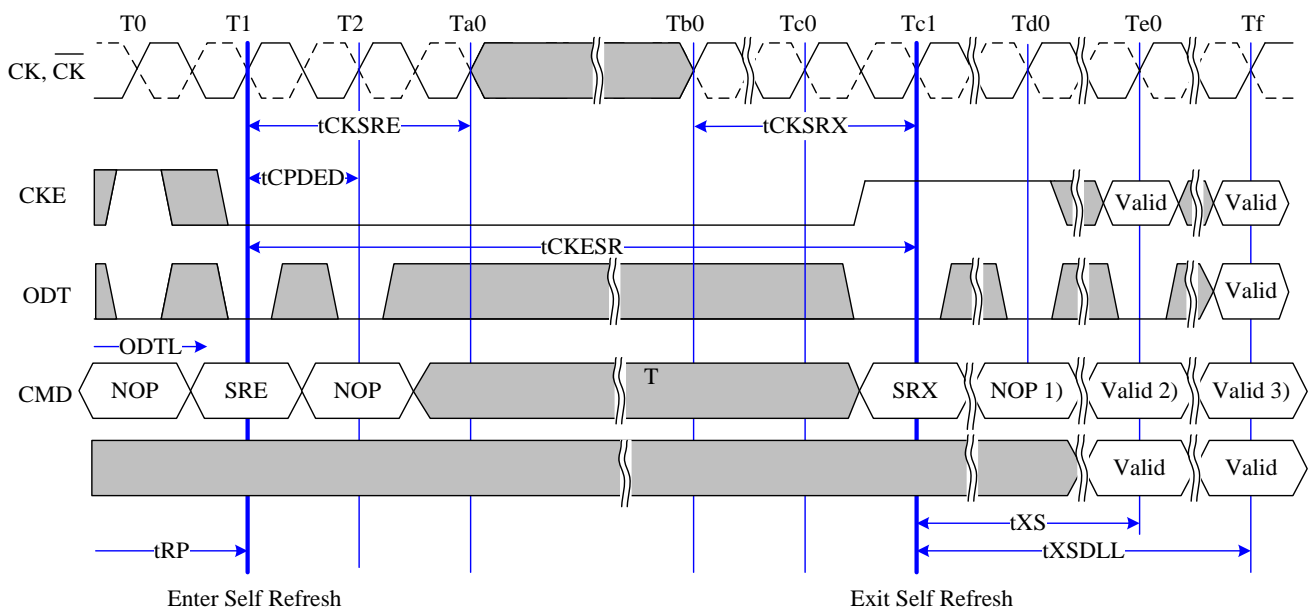


Before a command that requires a locked DLL can be applied, a delay of at least  $t_{XSDLL}$  must be satisfied. Depending on the system environment and the amount of time spent in Self-Refresh, ZQ calibration commands may be required to compensate for the voltage and temperature drift as described in “ZQ Calibration Commands”. To issue ZQ calibration commands, applicable timing requirements must be satisfied.

CKE must remain HIGH for the entire Self-Refresh exit period  $t_{XSDLL}$  for proper operation except for Self-Refresh re-entry. Upon exit from Self-Refresh, the DDR3(L) SDRAM can be put back into Self-Refresh mode after waiting at least  $t_{XS}$  period and issuing one refresh command (refresh period of  $t_{RFC}$ ). NOP or deselect commands must be registered on each positive clock edge during the Self-Refresh exit interval  $t_{XS}$ . ODT must be turned off during  $t_{XSDLL}$ .

The use of Self-Refresh mode instructs the possibility that an internally times refresh event can be missed when CKE is raised for exit from Self-Refresh mode. Upon exit from Self-Refresh, the DDR3(L) SDRAM requires a minimum of one extra refresh command before it is put back into Self-Refresh mode.

### Self-Refresh Entry/Exit Timing



- Note:
1. Only NOP or DES commands
  2. Valid commands not requiring a locked DLL
  3. Valid commands requiring a locked DLL

Do Not Care
  Time Break

## Power-Down Modes

### Power-Down Entry and Exit

Power-Down is synchronously entered when CKE is registered low (along with NOP or Deselect command). CKE is not allowed to go low while mode register set command, MPR operations, ZQCAL operations, DLL locking or read/write operation are in progress. CKE is allowed to go low while any of other operation such as row activation, precharge or auto precharge and refresh are in progress, but power-down IDD spec will not be applied until finishing those operation.

The DLL should be in a locked state when power-down is entered for fastest power-down exit timing. If the DLL is not locked during power-down entry, the DLL must be reset after exiting power-down mode for proper read operation and synchronous ODT operation. DRAM design provides all AC and DC timing and voltage specification as well as proper DLL operation with any CKE intensive operations as long as DRAM controller complies with DRAM specifications.

During Power-Down, if all banks are closed after any in progress commands are completed, the device will be in precharge Power-Down mode; if any bank is open after in progress commands are completed, the device will be in active Power-Down mode.

Entering Power-down deactivates the input and output buffers, excluding CK,  $\overline{CKE}$ , ODT,  $\overline{CKE}$ , and  $\overline{RESET}$ . To protect DRAM internal delay on CKE line to block the input signals, multiple NOP or Deselect commands are needed during the CKE switch off and cycle(s) after, this timing period are defined as tCPDED. CKE\_low will result in deactivation of command and address receivers after tCPDED has expired.

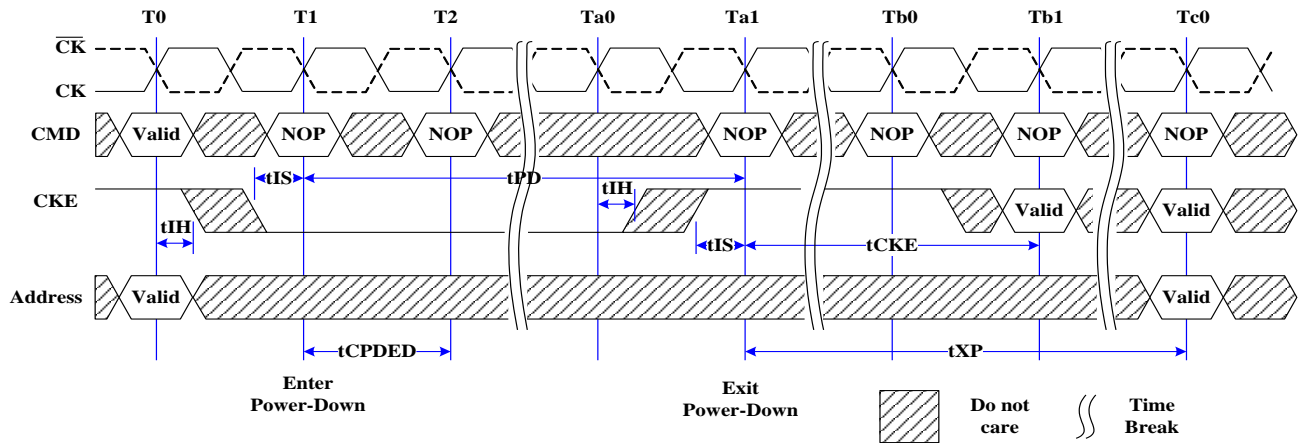
### Power-Down Entry Definitions

Status of DRAM	MRS bit A12	DLL	PD Exit	Relevant Parameters
<b>Active</b> (A Bank or more open)	Don't Care	On	Fast	tXP to any valid command.
<b>Precharged</b> (All Banks Precharged)	0	Off	Slow	tXP to any valid command. Since it is in precharge state, commands here will be ACT, AR, MRS/EMRS, PR, or PRA. tXPDLL to commands who need DLL to operate, such as RD, RDA, or ODT control line.
<b>Precharged</b> (All Banks Precharged)	1	On	Fast	tXP to any valid command.

Also the DLL is disabled upon entering precharge power-down (Slow Exit Mode), but the DLL is kept enabled during precharge power-down (Fast Exit Mode) or active power-down. In power-down mode, CKE low,  $\overline{RESET}$  high, and a stable clock signal must be maintained at the inputs of the DDR3(L) SDRAM, and ODT should be in a valid state but all other input signals are "Don't care" (If  $\overline{RESET}$  goes low during Power-Down, the DRAM will be out of PD mode and into reset state). CKE low must be maintain until tCKE has been satisfied. Power-down duration is limited by 9 times tREFI of the device.

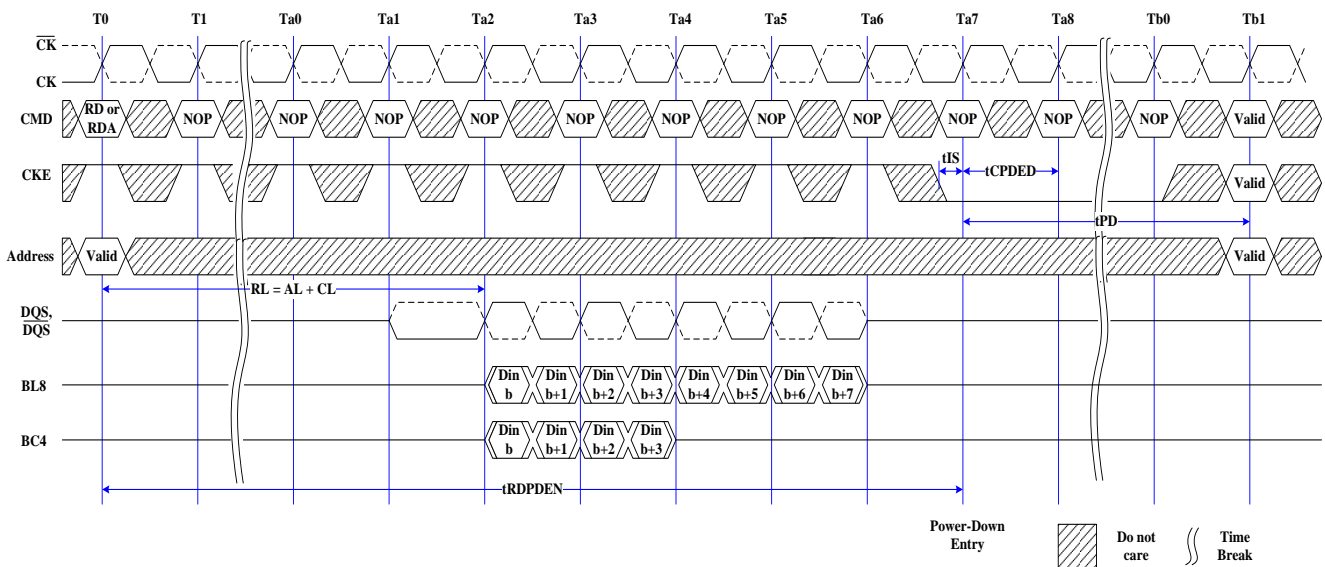
The power-down state is synchronously exited when CKE is registered high (along with a NOP or Deselect command). CKE high must be maintained until tCKE has been satisfied. A valid, executable command can be applied with power-down exit latency, tXP and/or tXPDLL after CKE goes high. Power-down exit latency is defined at AC spec table of this datasheet.

### Active Power-Down Entry and Exit timing diagram

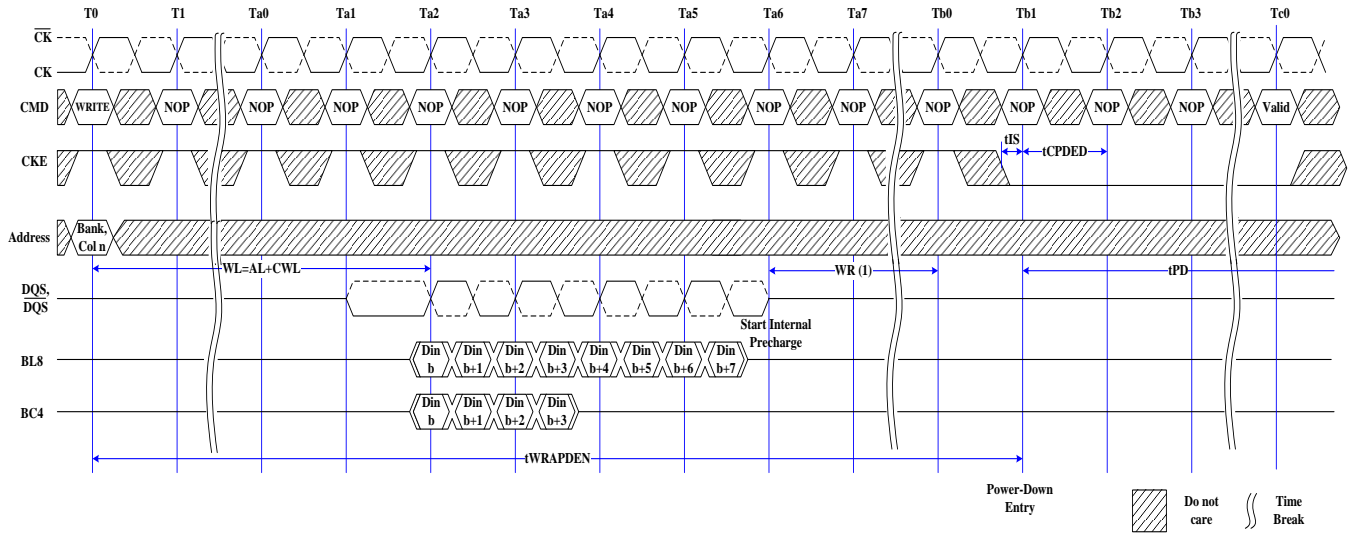


Timing Diagrams for CKE with PD Entry, PD Exit with Read, READ with Auto Precharge, Write and Write with Auto Precharge, Activate, Precharge, Refresh, MRS:

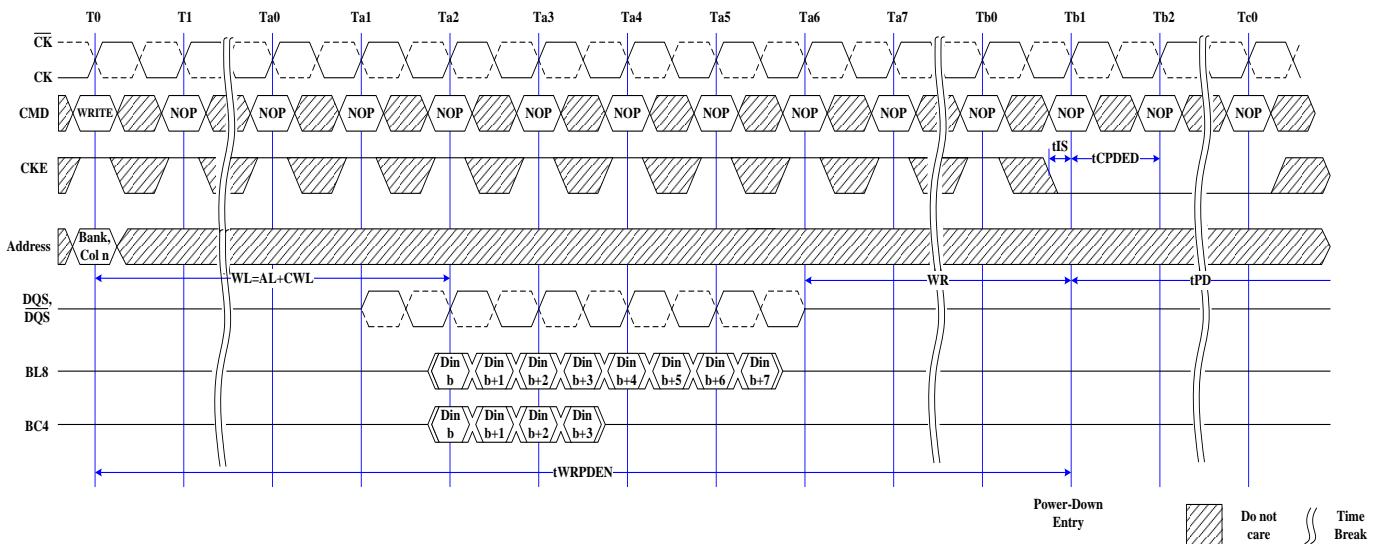
### Power-Down Entry after Read and Read with Auto Precharge



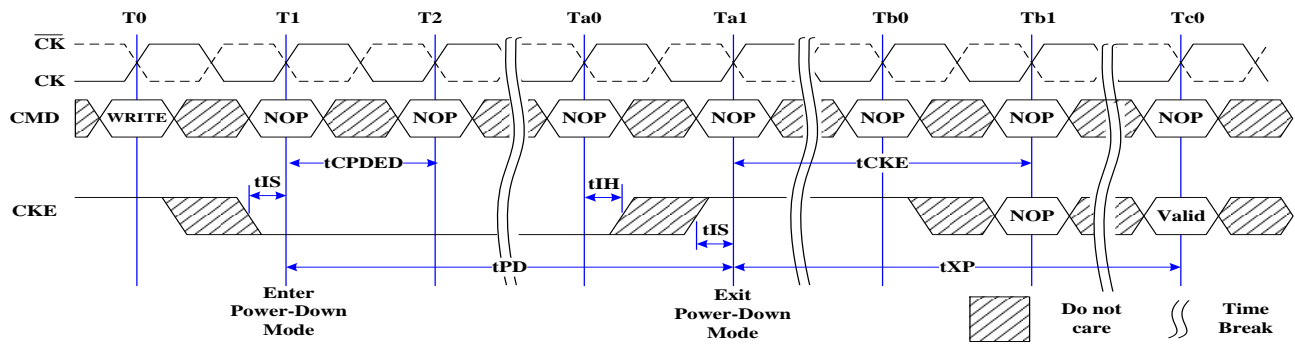
### Power-Down Entry after Write with Auto Precharge



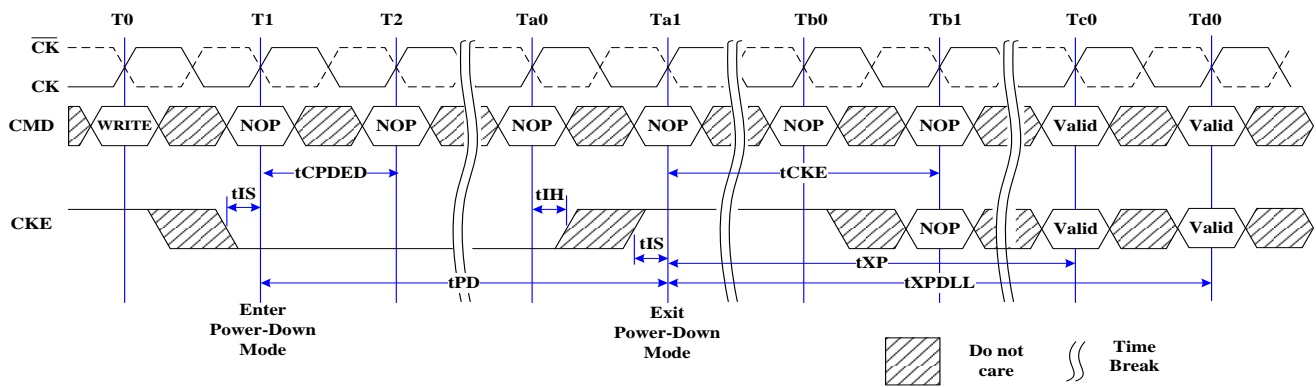
### Power-Down Entry after Write



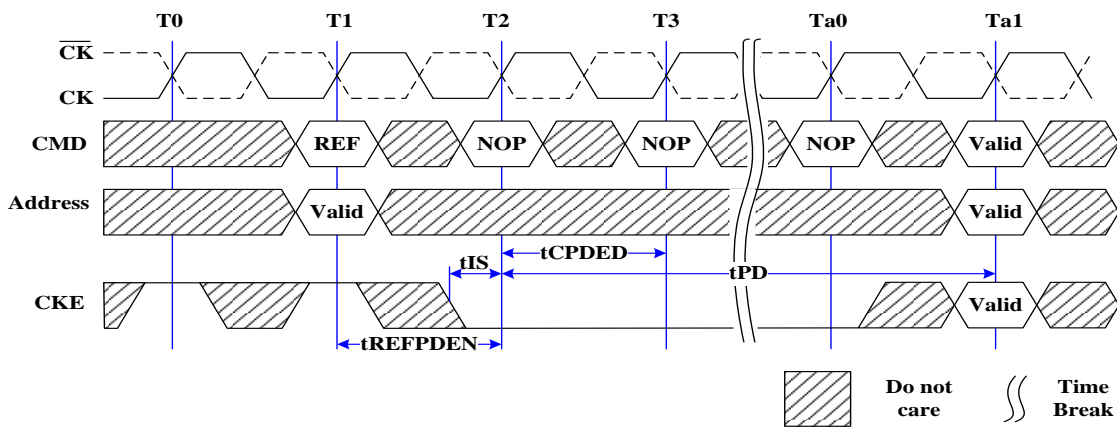
### Precharge Power-Down (Fast Exit Mode) Entry and Exit



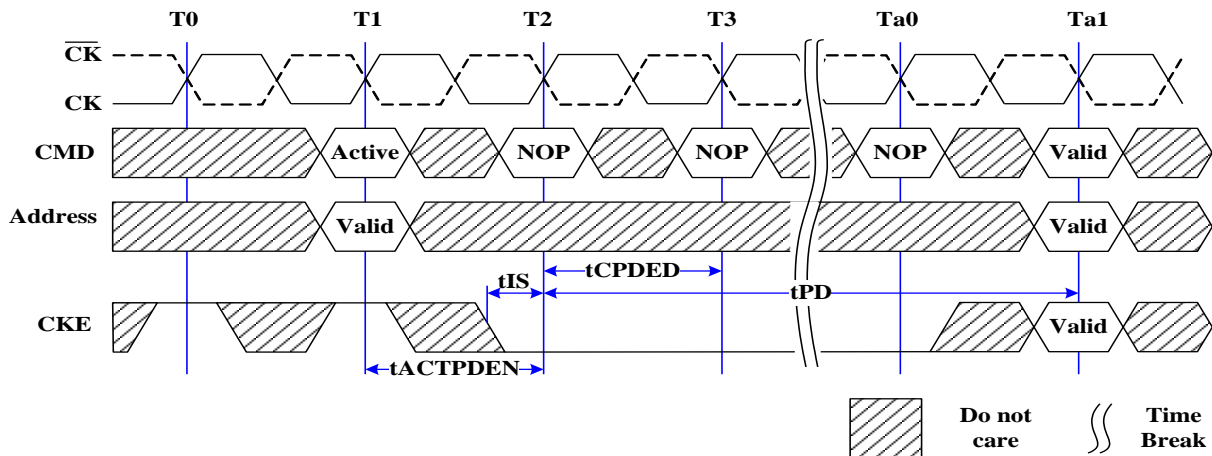
### Precharge Power-Down (Slow Exit Mode) Entry and Exit



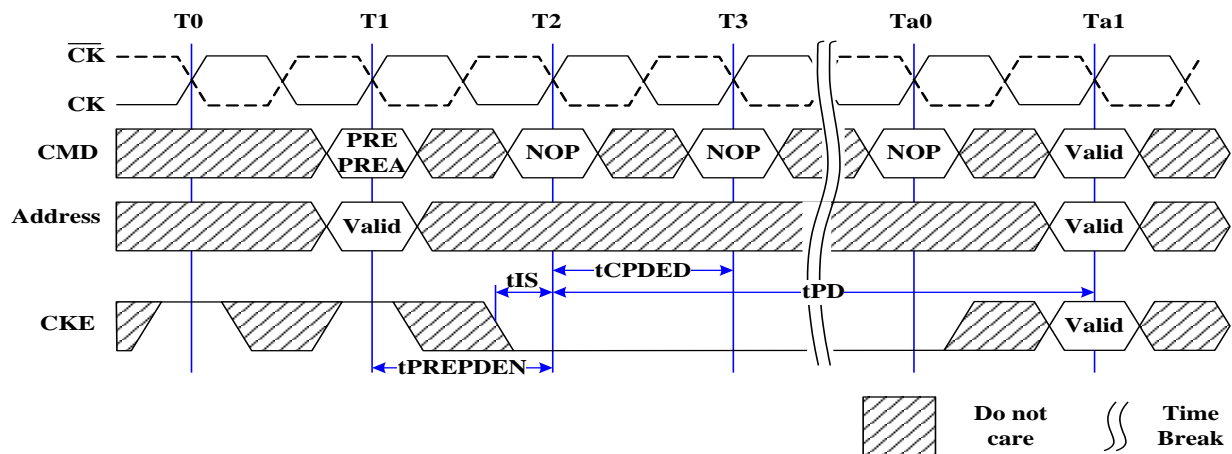
### Refresh Command to Power-Down Entry



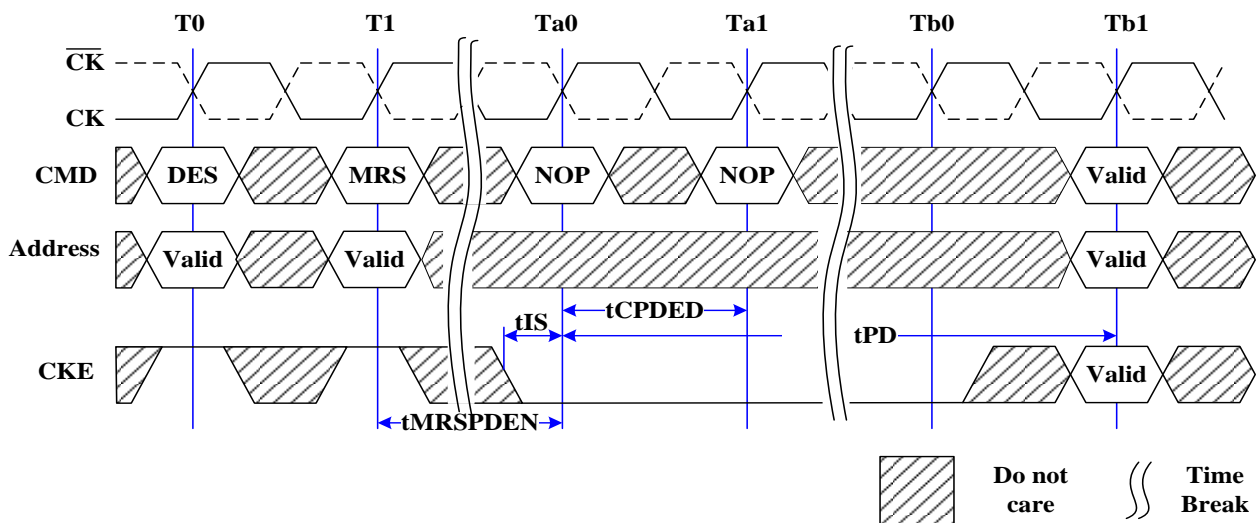
### Active Command to Power-Down Entry



### Precharge/Precharge all Command to Power-Down Entry



### MRS Command to Power-Down Entry



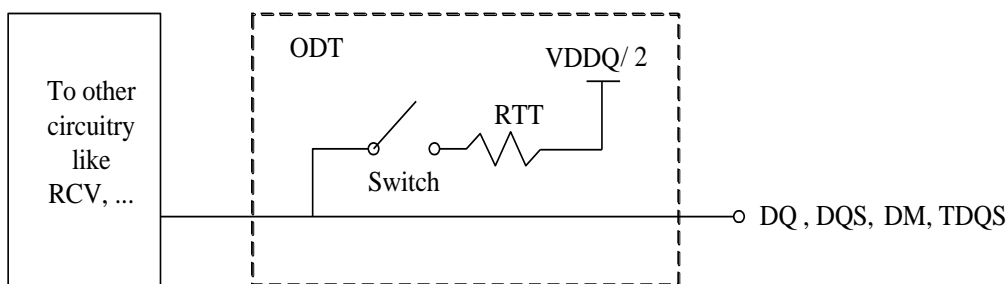
## On-Die Termination (ODT)

ODT (On-Die Termination) is a feature of the DDR3(L) SDRAM that allows the DRAM to turn on/off termination resistance for each DQ, DQS,  $\overline{DQS}$ , and DM for x8 configuration (and TDQS,  $\overline{TDQS}$  for x8 configuration, when enabled via A11=1 in MR1) via the ODT control pin. For x16 configuration, ODT is applied to each DQ, DQSU,  $\overline{DQSU}$ , DQSL,  $\overline{DQSL}$ , DMU and DMI signal via the ODT control pin. The ODT feature is designed to improve signal integrity of the memory channel by allowing the DRAM controller to independently turn on/off termination resistance for any or all DRAM devices.

The ODT feature is turned off and not supported in Self-Refresh mode.

A simple functional representation of the DRAM ODT feature is shown as below.

### Functional Representation of ODT



The switch is enabled by the internal ODT control logic, which uses the external ODT pin and other control information. The value of RTT is determined by the settings of Mode Register bits. The ODT pin will be ignored if the Mode Register MR1 and MR2 are programmed to disable ODT and in self-refresh mode.

### ODT Mode Register and ODT Truth Table

The ODT Mode is enabled if either of MR1 {A2, A6, A9} or MR2 {A9, A10} are non-zero. In this case, the value of RTT is determined by the settings of those bits.

Application: Controller sends WR command together with ODT asserted.

One possible application: The rank that is being written to provides termination.

DRAM turns ON termination if it sees ODT asserted (except ODT is disabled by MR)

DRAM does not use any write or read command decode information.

### Termination Truth Table

ODT pin	DRAM Termination State
0	OFF
1	ON, (OFF, if disabled by MR1 {A2, A6, A9} and MR2{A9, A10} in general)



## Synchronous ODT Mode

Synchronous ODT mode is selected whenever the DLL is turned on and locked. Based on the power-down definition, these modes are:

- Any bank active with CKE high
- Refresh with CKE high
- Idle mode with CKE high
- Active power down mode (regardless of MR0 bit A12)
- Precharge power down mode if DLL is enabled during precharge power down by MR0 bit A12

The direct ODT feature is not supported during DLL-off mode. The on-die termination resistors must be disabled by continuously registering the ODT pin low and/or by programming the RTT\_Nom bits MR1{A9,A6,A2} to {0,0,0} via a mode register set command during DLL-off mode.

In synchronous ODT mode, RTT will be turned on ODTLon clock cycles after ODT is sampled high by a rising clock edge and turned off ODTLoff clock cycles after ODT is registered low by a rising clock edge. The ODT latency is tied to the write latency (WL) by:  $ODTLon = WL - 2$ ;  $ODTLoff = WL - 2$ .

## ODT Latency and Posted ODT

In synchronous ODT Mode, the Additive Latency (AL) programmed into the Mode Register (MR1) also applies to the ODT signal. The DRAM internal ODT signal is delayed for a number of clock cycles defined by the Additive Latency (AL) relative to the external ODT signal.  $ODTLon = CWL + AL - 2$ ;  $ODTLoff = CWL + AL - 2$ . For details, refer to DDR3(L) SDRAM latency definitions.

## ODT Latency

Symbol	Parameter	DDR3-1600	Unit
ODTLon	ODT turn on Latency	$WL - 2 = CWL + AL - 2$	tCK
ODTLoff	ODT turn off Latency	$WL - 2 = CWL + AL - 2$	tCK

## Timing Parameters

In synchronous ODT mode, the following timing parameters apply: ODTLon, ODTLoff, tAON min/max, tAOF min/max.

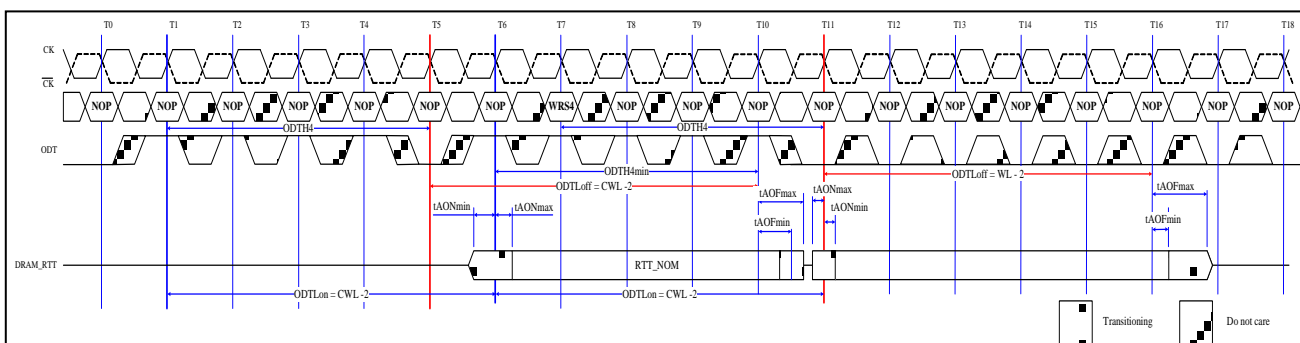
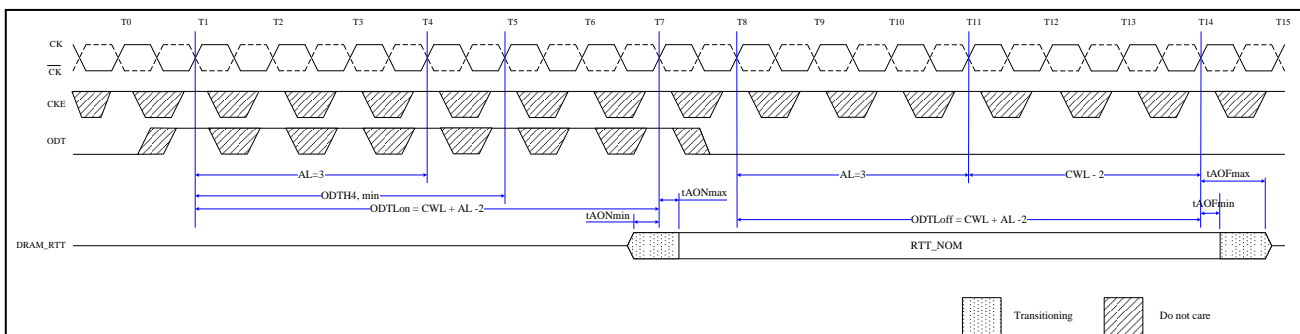
Minimum RTT turn-on time (tAON min) is the point in time when the device leaves high impedance and ODT resistance begins to turn on. Maximum RTT turn-on time (tAON max) is the point in time when the ODT resistance is fully on. Both are measured from ODTLon.

Minimum RTT turn-off time (tAOF min) is the point in time when the device starts to turn off the ODT resistance. Maximum RTT turn off time (tAOF max) is the point in time when the on-die termination has reached high impedance. Both are measured from ODTLoff.

When ODT is asserted, it must remain high until ODTL4 is satisfied. If a Write command is registered by the SDRAM with ODT high, then ODT must remain high until ODTL4 (BL=4) or ODTL8 (BL=8) after the write command. ODTL4 and ODTL8 are measured from ODT registered high to ODT registered low or from the registration of a write command until ODT is registered low.

### Synchronous ODT Timing Example for AL=3; CWL=5; ODTLon=AL+CWL-2=6; ODTLoff=AL+CWL-2=6

#### Synchronous ODT example with BL=4, WL=7

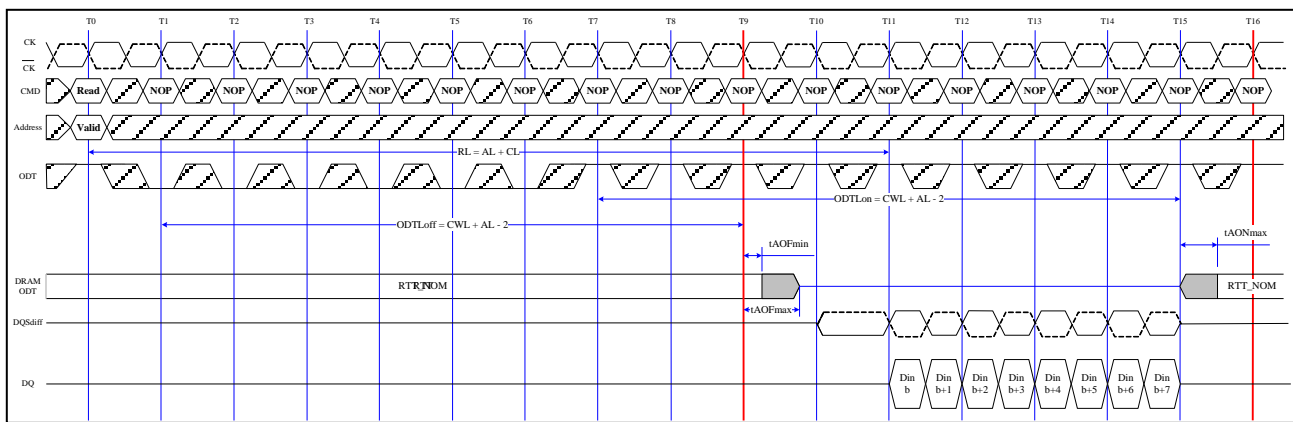


ODT must be held high for at least ODTL4 after assertion (T1); ODT must be kept high ODTL4 (BL=4) or ODTL8 (BL=8) after Write command (T7). ODTL4 is measured from ODT first registered high to ODT first registered low, or from registration of Write command with ODT high to ODT registered low. Note that although ODTL4 is satisfied from ODT registered at T6 ODT must not go low before T11 as ODTL4 must also be satisfied from the registration of the Write command at T7.

## ODT during Reads:

As the DDR3(L) SDRAM cannot terminate and drive at the same time, RTT must be disabled at least half a clock cycle before the read preamble by driving the ODT pin low appropriately. RTT may not be enabled until the end of the post-amble as shown in the following figure. DRAM turns on the termination when it stops driving which is determined by tHZ. If DRAM stops driving early (i.e. tHZ is early), then tAONmin time may apply. If DRAM stops driving late (i.e. tHZ is late), then DRAM complies with tAONmax timing. Note that ODT may be disabled earlier before the Read and enabled later after the Read than shown in this example.

**ODT must be disabled externally during Reads by driving ODT low. (Example: CL=6; AL=CL-1=5; RL=AL+CL=11; CWL=5; ODTLon=CWL+AL-2=8; ODTLoff=CWL+AL-2=8)**



## Dynamic ODT

In certain application cases and to further enhance signal integrity on the data bus, it is desirable that the termination strength of the DDR3(L) SDRAM can be changed without issuing an MRS command. This requirement is supported by the “Dynamic ODT” feature as described as follows:

### Functional Description

The Dynamic ODT Mode is enabled if bit (A9) or (A10) of MR2 is set to ‘1’. The function is described as follows:

Two RTT values are available: RTT\_Nom and RTT\_WR.

- The value for RTT\_Nom is preselected via bits A[9,6,2] in MR1.
- The value for RTT\_WR is preselected via bits A[10,9] in MR2.

During operation without write commands, the termination is controlled as follows:

- Nominal termination strength RTT\_Nom is selected.
- Termination on/off timing is controlled via ODT pin and latencies ODTLon and ODTLoff.

When a Write command (WR, WRA, WRS4, WRS8, WRAS4, WRAS8) is registered, and if Dynamic ODT is enabled, the termination is controlled as follows:

- A latency ODTLcnw after the write command, termination strength RTT\_WR is selected.
- A latency ODTLcwn8 (for BL8, fixed by MRS or selected OTF) or ODTLcwn4 (for BC4, fixed by MRS or selected OTF) after the write command, termination strength RTT\_Nom is selected.
- Termination on/off timing is controlled via ODT pin and ODTLon, ODTLoff.

The following table shows latencies and timing parameters which are relevant for the on-die termination control in Dynamic ODT mode.

The dynamic ODT feature is not supported at DLL-off mode. User must use MRS command to set RTT\_WR, MR2[A10,A9] = [0,0], to disable Dynamic ODT externally.

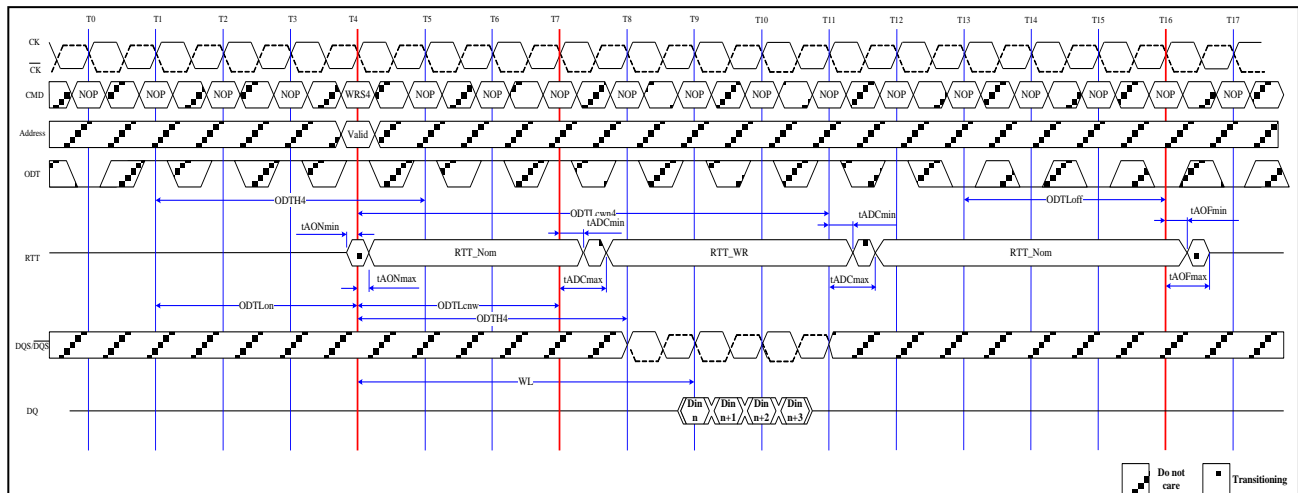
When ODT is asserted, it must remain high until ODTH4 is satisfied. If a Write command is registered by the SDRAM with ODT high, then ODT must remain high until ODTH4 (BL=4) or ODTH8 (BL=8) after the Write command. ODTH4 and ODTH8 are measured from ODT registered high to ODT registered low or from the registration of Write command until ODT is register low.

**Latencies and timing parameters relevant for Dynamic ODT**

Name and Description	Abbr.	Defined from	Defined to	Definition for all DDR3(L) speed pin	Unit
ODT turn-on Latency	ODTLon	registering external ODT signal high	turning termination on	ODTLon=WL-2	tCK
ODT turn-off Latency	ODTLoft	registering external ODT signal low	turning termination off	ODTLoft=WL-2	tCK
ODT Latency for changing from RTT_Nom to RTT_WR	ODTLcnw	registering external write command	change RTT strength from RTT_Nom to RTT_WR	ODTLcnw=WL-2	tCK
ODT Latency for change from RTT_WR to RTT_Nom (BL=4)	ODTLcwn4	registering external write command	change RTT strength from RTT_WR to RTT_Nom	ODTLcwn4=4+ODTLoft	tCK
ODT Latency for change from RTT_WR to RTT_Nom (BL=8)	ODTLcwn8	registering external write command	change RTT strength from RTT_WR to RTT_Nom	ODTLcwn8=6+ODTLoft	tCK(avg)
Minimum ODT high time after ODT assertion	ODTH4	registering ODT high	ODT registered low	ODTH4=4	tCK(avg)
Minimum ODT high time after Write (BL=4)	ODTH4	registering write with ODT high	ODT registered low	ODTH4=4	tCK(avg)
Minimum ODT high time after Write (BL=8)	ODTH8	registering write with ODT high	ODT register low	ODTH8=6	tCK(avg)
RTT change skew	tADC	ODTLcnw ODTLcwn	RTT valid	tADC(min)=0.3tCK(avg) tADC(max)=0.7tCK(avg)	tCK(avg)
Note: tAOF,nom and tADC,nom are 0.5tCK (effectively adding half a clock cycle to ODTLoft, ODTcnw, and ODTLcwn)					

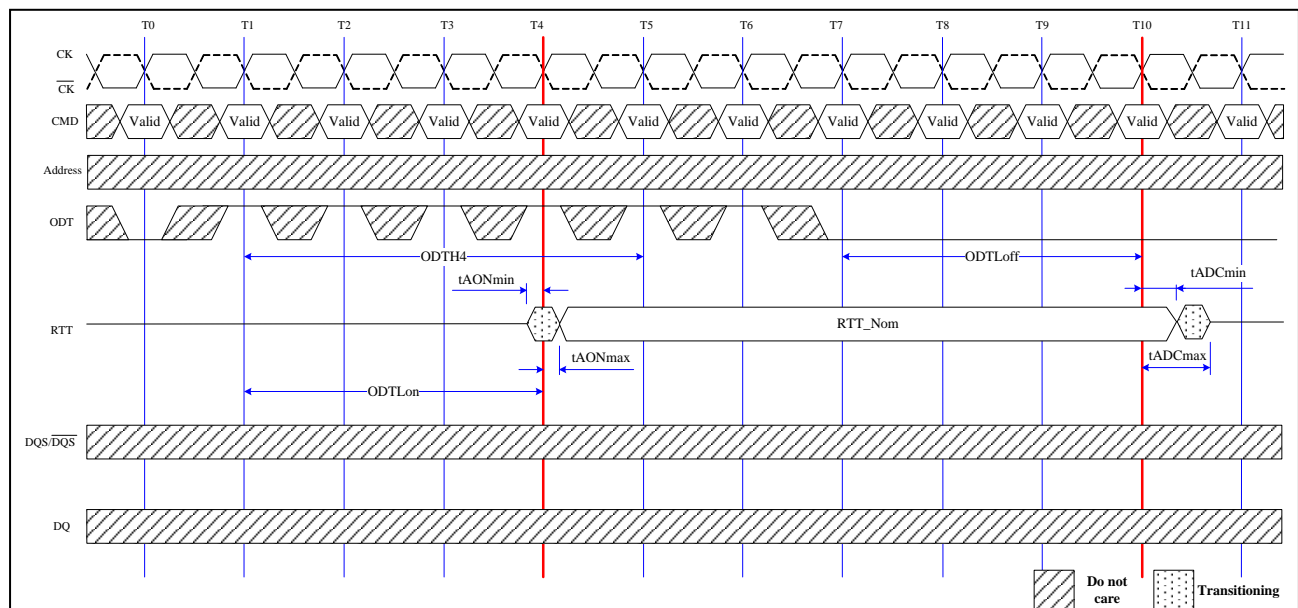
## ODT Timing Diagrams

### Dynamic ODT: Behavior with ODT being asserted before and after the write



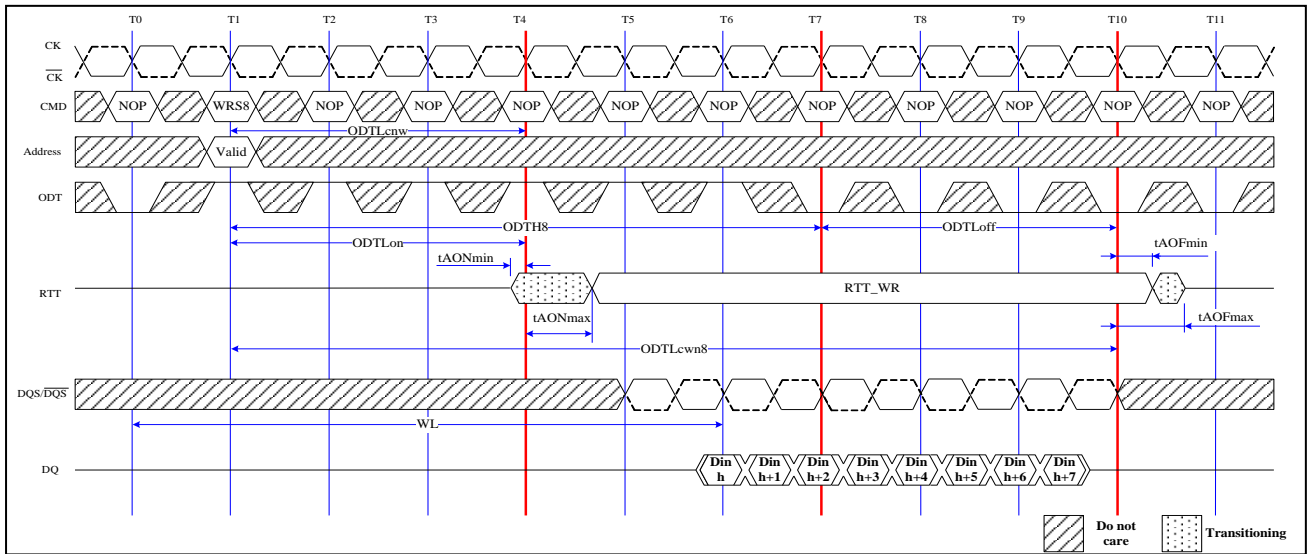
Note: Example for BC4 (via MRS or OTF), AL=0, CWL=5. ODT<sub>H4</sub> applies to first registering ODT high and to the registration of the Write command. In this example ODT<sub>H4</sub> would be satisfied if ODT went low at T8. (4 clocks after the Write command).

### Dynamic ODT: Behavior without write command, AL=0, CWL=5



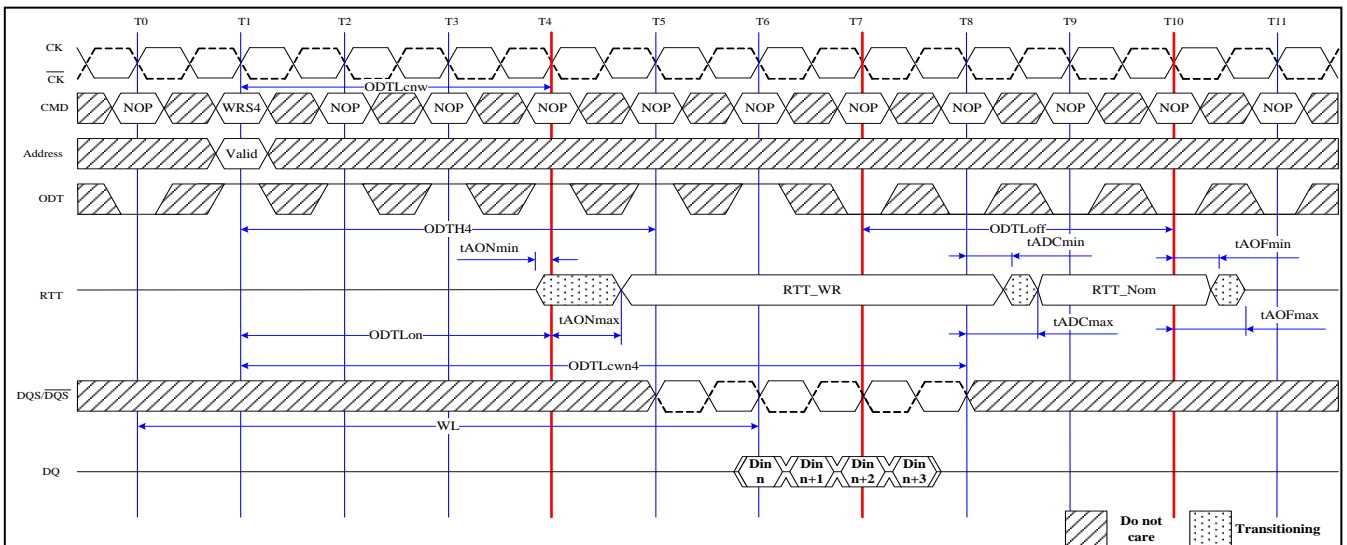
Note: ODT<sub>H4</sub> is defined from ODT registered high to ODT registered low, so in this example ODT<sub>H4</sub> is satisfied; ODT registered low at T5 would also be legal.

**Dynamic ODT: Behavior with ODT pin being asserted together with write command for the duration of 6 clock cycles.**

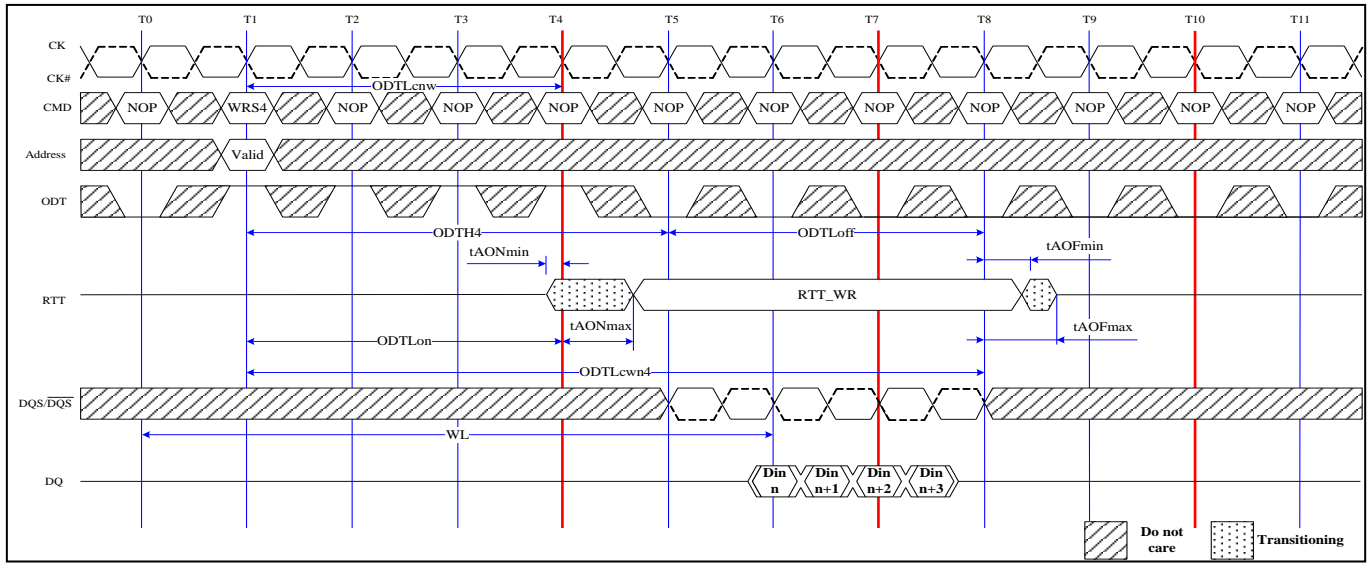


Note: Example for BL8 (via MRS or OTF), AL=0, CWL=5. In this example ODTH8=6 is exactly satisfied.

**Dynamic ODT: Behavior with ODT pin being asserted together with write command for a duration of 6 clock cycles, example for BC4 (via MRS or OTF), AL=0, CWL=5.**



**Dynamic ODT: Behavior with ODT pin being asserted together with write command for the duration of 4 clock cycles.**





## Asynchronous ODT Mode

Asynchronous ODT mode is selected when DRAM runs in DLLon mode, but DLL is temporarily disabled (i.e. frozen) in precharge power-down (by MR0 bit A12). Based on the power down mode definitions, this is currently Precharge power down mode if DLL is disabled during precharge power down by MR0 bit A12.

In asynchronous ODT timing mode, internal ODT command is NOT delayed by Additive Latency (AL) relative to the external ODT command.

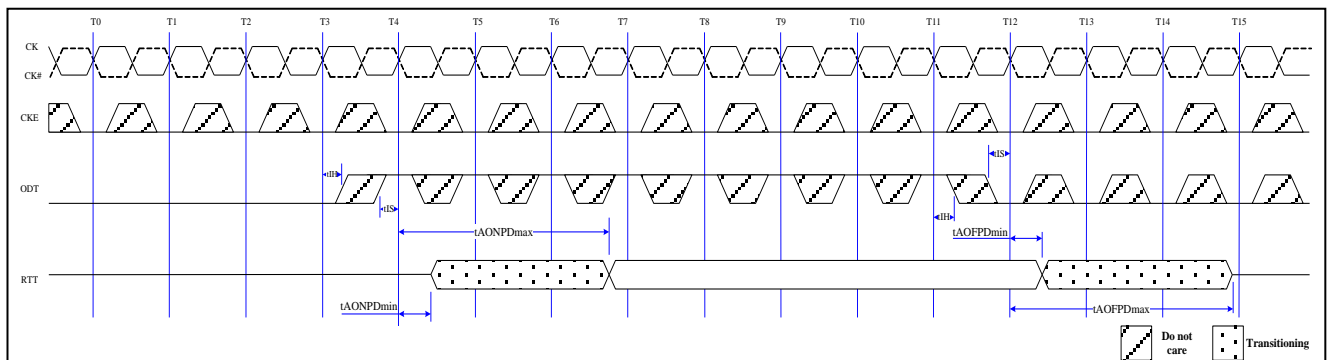
In asynchronous ODT mode, the following timing parameters apply:  $t_{AONPD}$  min/max,  $t_{AOFPD}$  min/max.

Minimum RTT turn-on time ( $t_{AONPD}$  min) is the point in time when the device termination circuit leaves high impedance state and ODT resistance begins to turn on. Maximum RTT turn on time ( $t_{AONPD}$  max) is the point in time when the ODT resistance is fully on.

$t_{AONPD}$ min and  $t_{AONPD}$ max are measured from ODT being sampled high.

Minimum RTT turn-off time ( $t_{AOFPD}$ min) is the point in time when the devices termination circuit starts to turn off the ODT resistance. Maximum ODT turn off time ( $t_{AOFPD}$ max) is the point in time when the on-die termination has reached high impedance.  $t_{AOFPD}$ min and  $t_{AOFPD}$ max are measured from ODT being sample low.

## Asynchronous ODT Timings on DDR3(L) SDRAM with fast ODT transition: AL is ignored.



In Precharge Power Down, ODT receiver remains active; however no Read or Write command can be issued, as the respective ADD/CMD receivers may be disabled.

## Asynchronous ODT Timing Parameters for all Speed Bins

Symbol	Description	Min.	Max.	Unit
$t_{AONPD}$	Asynchronous RTT turn-on delay (Power-Down with DLL frozen)	2	8.5	ns
$t_{AOFPD}$	Asynchronous RTT turn-off delay (Power-Down with DLL frozen)	2	8.5	ns

## ODT timing parameters for Power Down (with DLL frozen) entry and exit transition period

Description	Min.	Max.
ODT to RTT turn-on delay	$\min\{ \text{ODTLon} * \text{tCK} + \text{tAONmin}; \text{tAONPDmin} \}$ $\min\{ (\text{WL} - 2) * \text{tCK} + \text{tAONmin}; \text{tAONPDmin} \}$	$\max\{ \text{ODTLon} * \text{tCK} + \text{tAONmax}; \text{tAONPDmax} \}$ $\max\{ (\text{WL} - 2) * \text{tCK} + \text{tAONmax}; \text{tAONPFmax} \}$
ODT to RTT turn-off delay	$\min\{ \text{ODTLoFF} * \text{tCK} + \text{tAOFmin}; \text{tAOFPDmin} \}$ $\min\{ (\text{WL} - 2) * \text{tCK} + \text{tAOFmin}; \text{tAOFPDmin} \}$	$\max\{ \text{ODTLoFF} * \text{tCK} + \text{tAOFmax}; \text{tAOFPDmax} \}$ $\max\{ (\text{WL} - 2) * \text{tCK} + \text{tAOFmax}; \text{tAOFPDmax} \}$
tANPD	WL-1	

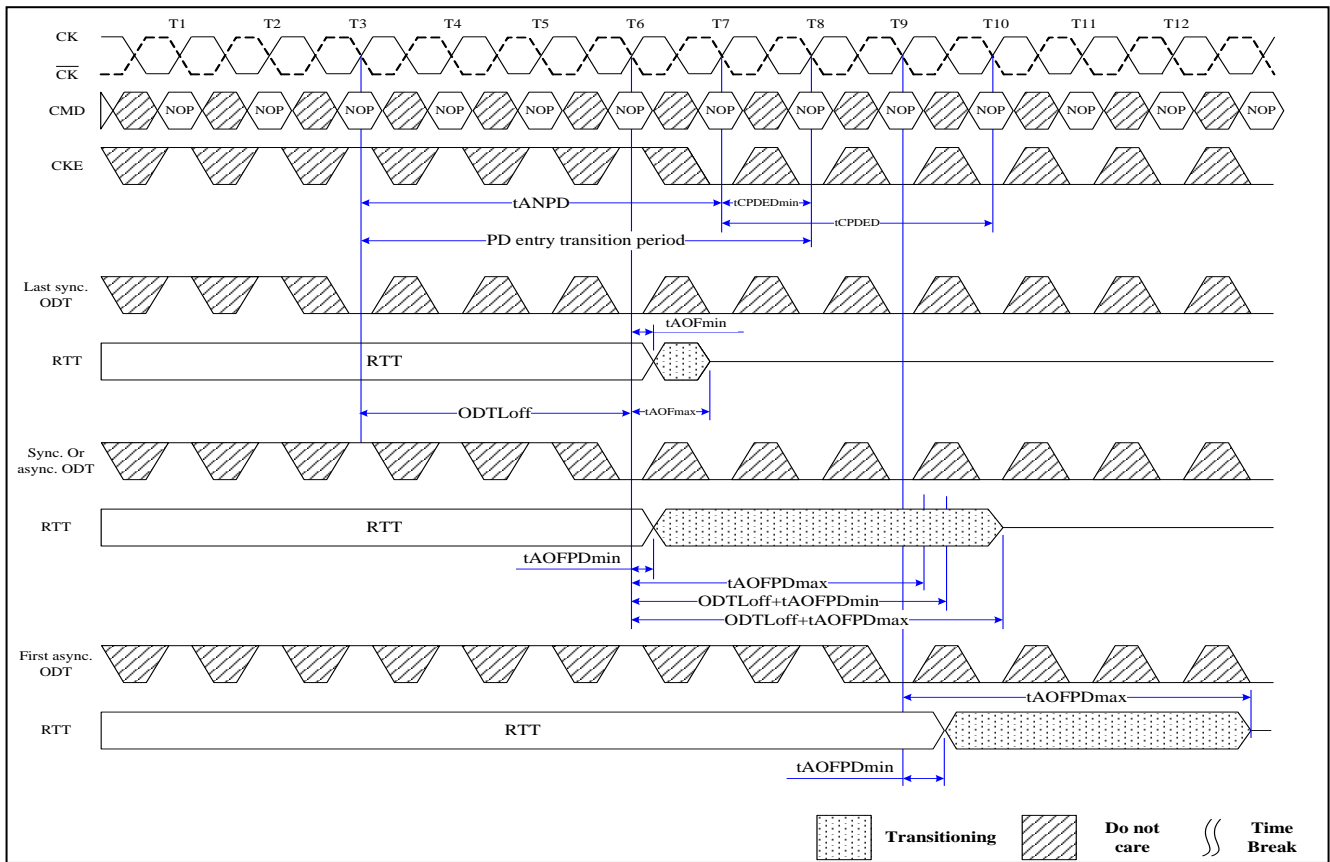
### Synchronous to Asynchronous ODT Mode Transition during Power-Down Entry

If DLL is selected to be frozen in Precharge Power Down Mode by the setting of bit A12 in MR0 to “0”, there is a transition period around power down entry, where the DDR3(L) SDRAM may show either synchronous or asynchronous ODT behavior.

The transition period is defined by the parameters tANPD and tCPDED(min). tANPD is equal to (WL-1) and is counted backwards in time from the clock cycle where CKE is first registered low. tCPDED(min) starts with the clock cycle where CKE is first registered low. The transition period begins with the starting point of tANPD and terminates at the end point of tCPDED(min). If there is a Refresh command in progress while CKE goes low, then the transition period ends at the later one of tRFC(min) after the Refresh command and the end point of tCPDED(min). Please note that the actual starting point at tANPD is excluded from the transition period, and the actual end point at tCPDED(min) and tRFC(min), respectively, are included in the transition period.

ODT assertion during the transition period may result in an RTT change as early as the smaller of tAONPDmin and (ODTLon\*tCK + tAONmin) and as late as the larger of tAONPDmax and (ODTLon\*tCK + tAONmax). ODT de-assertion during the transition period may result in an RTT change as early as the smaller of tAOFPDmin and (ODTLoFF\*tCK + tAOFmin) and as late as the larger of tAOFPDmax and (ODTLoFF\*tCK + tAOFmax). Note that, if AL has a large value, the range where RTT is uncertain becomes quite large. Figure 85 shows the three different cases: ODT\_A, synchronous behavior before tANPD; ODT\_B has a state change during the transition period; ODT\_C shows a state change after the transition period.

**Synchronous to asynchronous transition during Precharge Power Down (with DLL frozen) entry (AL=0; CWL=5; tANPD=WL-1=4)**



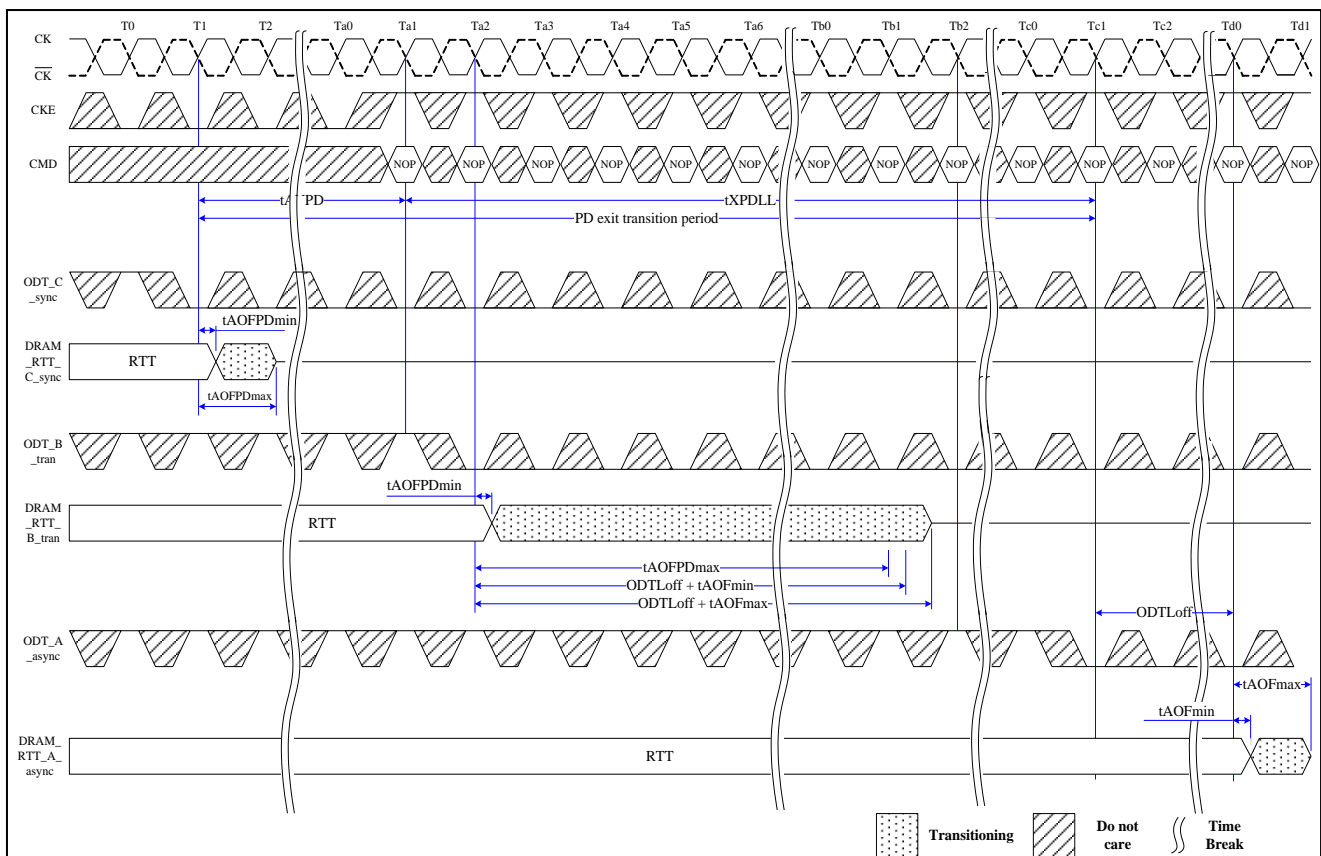
## Asynchronous to Synchronous ODT Mode transition during Power-Down Exit

If DLL is selected to be frozen in Precharge Power Down Mode by the setting of bit A12 in MR0 to "0", there is also a transition period around power down exit, where either synchronous or asynchronous response to a change in ODT must be expected from the DDR3(L) SDRAM.

This transition period starts  $t_{ANPD}$  before CKE is first registered high, and ends  $t_{XPDLL}$  after CKE is first registered high.  $t_{ANPD}$  is equal to  $(WL - 1)$  and is counted (backwards) from the clock cycle where CKE is first registered high.

ODT assertion during the transition period may result in an RTT change as early as the smaller of  $t_{AONPDmin}$  and  $(ODT_{Lon} * t_{CK} + t_{AONmin})$  and as late as the larger of  $t_{AONPDmax}$  and  $(ODT_{Lon} * t_{CK} + t_{AONmax})$ . ODT de-assertion during the transition period may result in an RTT change as early as the smaller of  $t_{AOFPDmin}$  and  $(ODT_{Loff} * t_{CK} + t_{AOFmin})$  and as late as the larger of  $t_{AOFPDmax}$  and  $(ODT_{Loff} * t_{CK} + t_{AOFmax})$ . Note that if AL has a large value, the range where RTT is uncertain becomes quite large. The following figure shows the three different cases: ODT\_C, asynchronous response before  $t_{ANPD}$ ; ODT\_B has a state change of ODT during the transition period; ODT\_A shows a state change of ODT after the transition period with synchronous response.

## Asynchronous to synchronous transition during Precharge Power Down (with DLL frozen) exit (CL=6; AL=CL-1; CWL=5; $t_{ANPD}=WL-1=9$ )



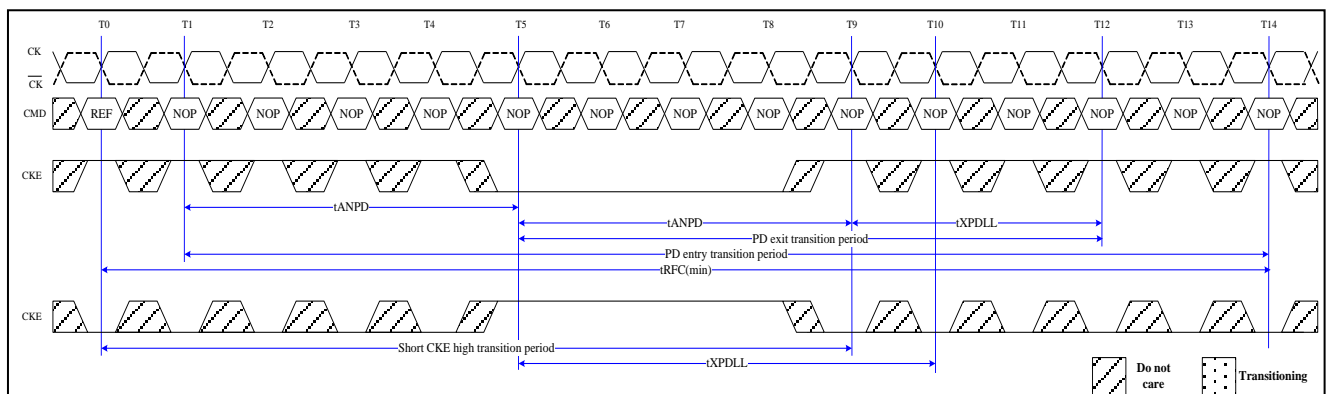
## Asynchronous to Synchronous ODT Mode during short CKE high and short CKE low periods

If the total time in Precharge Power Down state or Idle state is very short, the transition periods for PD entry and PD exit may overlap. In this case, the response of the DDR3(L) SDRAMs RTT to a change in ODT state at the input may be synchronous or asynchronous from the state of the PD entry transition period to the end of the PD exit transition period (even if the entry ends later than the exit period).

If the total time in Idle state is very short, the transition periods for PD exit and PD entry may overlap. In this case, the response of the DDR3(L) SDRAMs RTT to a change in ODT state at the input may be synchronous or asynchronous from the state of the PD exit transition period to the end of the PD entry transition period. Note that in the following figure, it is assumed that there was no Refresh command in progress when Idle state was entered.

### Transition period for short CKE cycles with entry and exit period overlapping

(AL=0; WL=5; tANPD=WL-1=4)



## ZQ Calibration Commands

### ZQ Calibration Description

ZQ Calibration command is used to calibrate DRAM Ron and ODT values. DDR3(L) SDRAM needs longer time to calibrate output driver and on-die termination circuits at initialization and relatively smaller time to perform periodic calibrations.

ZQCL command is used to perform the initial calibration during power-up initialization sequence. This command may be issued at any time by the controller depending on the system environment. ZQCL command triggers the calibration engine inside the DRAM and once calibration is achieved the calibrated values are transferred from calibration engine to DRAM IO which gets reflected as updated output driver and on-die termination values.

The first ZQCL command issued after reset is allowed a timing period of  $tZQinit$  to perform the full calibration and the transfer of values. All other ZQCL commands except the first ZQCL command issued after RESET is allowed a timing period of  $tZQoper$ .

ZQCS command is used to perform periodic calibrations to account for voltage and temperature variations. A shorter timing window is provided to perform the calibration and transfer of values as defined by timing parameter  $tZQCS$ . One ZQCS command can effectively correct a minimum of 0.5 % (ZQ Correction) of RON and RTT impedance error within 64 nCK for all speed bins assuming the maximum sensitivities specified in the 'Output Driver Voltage and Temperature Sensitivity' and 'ODT Voltage and Temperature Sensitivity' tables. The appropriate interval between ZQCS commands can be determined from these tables and other application-specific parameters. One method for calculating the interval between ZQCS commands, given the temperature ( $Tdriftrate$ ) and voltage ( $Vdriftrate$ ) drift rates that the SDRAM is subject to in the application, is illustrated. The interval could be defined by the following formula:

$$\frac{ZQCorrection}{(TSens \times Tdriftrate) + (VSens \times Vdriftrate)}$$

where  $TSens = \max(dRTTdT, dRONdTM)$  and  $VSens = \max(dRTTdV, dRONdVM)$  define the SDRAM temperature and voltage sensitivities.

For example, if  $TSens = 1.5\% / ^\circ C$ ,  $VSens = 0.15\% / mV$ ,  $Tdriftrate = 1 ^\circ C / sec$  and  $Vdriftrate = 15 mV / sec$ , then the interval between ZQCS commands is calculated as:

$$\frac{0.5}{(1.5 \times 1) + (0.15 \times 15)} = 0.133 \approx 128ms$$

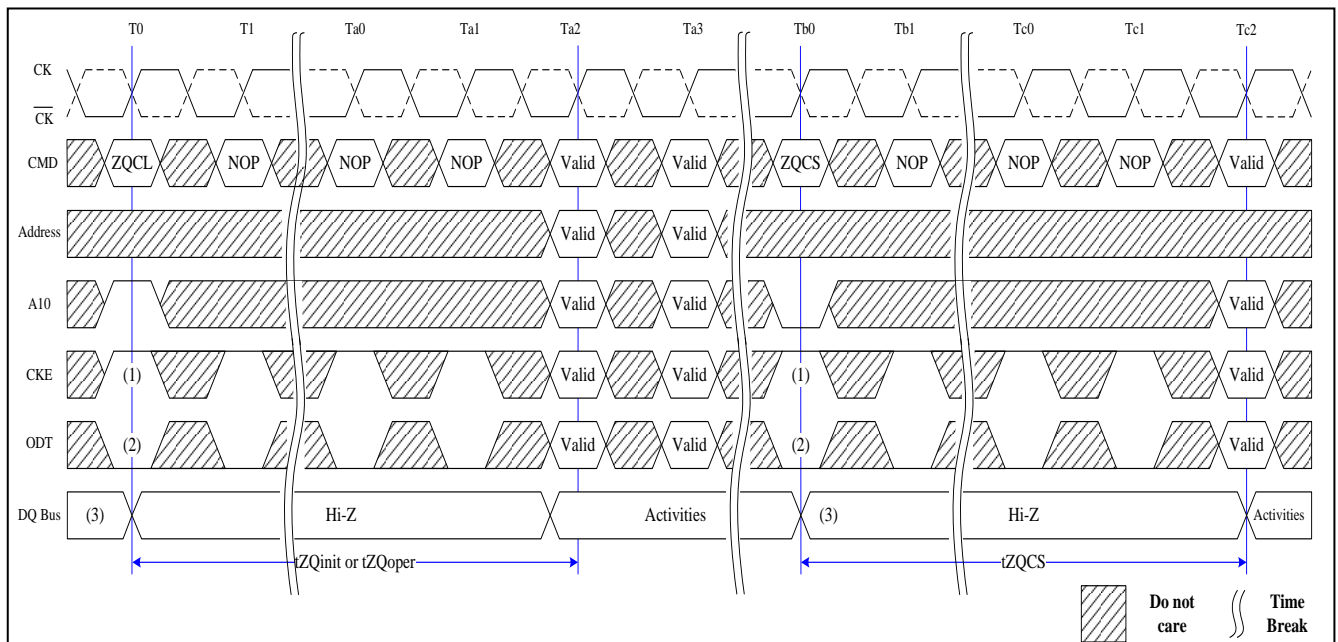
No other activities should be performed on the DRAM channel by the controller for the duration of  $tZQinit$ ,  $tZQoper$ , or  $tZQCS$ . The quiet time on the DRAM channel allows calibration of output driver and on-die termination values. Once DRAM calibration is achieved, the DRAM should disable ZQ current consumption path to reduce power.

All banks must be precharged and  $tRP$  met before ZQCL or ZQCS commands are issued by the controller.

ZQ calibration commands can also be issued in parallel to DLL lock time when coming out of self refresh. Upon self-refresh exit, DDR3(L) SDRAM will not perform an IO calibration without an explicit ZQ calibration command. The earliest possible time for ZQ Calibration command (short or long) after self refresh exit is  $tXS$ .

In systems that share the ZQ resistor between devices, the controller must not allow any overlap of  $tZQoper$ ,  $tZQinit$ , or  $tZQCS$  between ranks.

## ZQ Calibration Timing



### Note:

1. CKE must be continuously registered high during the calibration procedure.
2. On-die termination must be disabled via the ODT signal or MRS during the calibration procedure.
3. All devices connected to the DQ bus should be high impedance during the calibration procedure.

## ZQ External Resistor Value, Tolerance, and Capacitive loading

In order to use the ZQ calibration function, a 240 ohm +/- 1% tolerance external resistor connected between the ZQ pin and ground. The single resistor can be used for each SDRAM or one resistor can be shared between two SDRAMs if the ZQ calibration timings for each SDRAM do not overlap. The total capacitive loading on the ZQ pin must be limited.

## Absolute Maximum Ratings

### Absolute Maximum DC Ratings

Symbol	Parameter	Rating	Unit	Note
VDD	Voltage on VDD pin relative to Vss	-0.4 V ~ 1.80 V	V	1,3
VDDQ	Voltage on VDDQ pin relative to Vss	-0.4 V ~ 1.80 V	V	1,3
Vin, Vout	Voltage on any pin relative to Vss	-0.4 V ~ 1.80 V	V	1
Tstg	Storage Temperature	-55 ~ 150	°C	1,2

Note:

- Stresses greater than those listed under "Absolute Maximum Ratings" may cause permanent damage to the device. This is a stress rating only and functional operation of the device at these or any other conditions above those indicated in the operational sections of this specification is not implied. Exposure to absolute maximum rating conditions for extended periods may affect reliability.
- Storage Temperature is the case surface temperature on the center/top side of the DRAM.
- VDD and VDDQ must be within 300mV of each other at all times; and Vref must be not greater than 0.6VDDQ, when VDD and VDDQ are less than 500mV; Vref may be equal to or less than 300mV.

### Refresh parameters by device density

Parameter	Symbol	4Gb	Unit
REF command to ACT or REF command time	tRFC	260	ns



## Temperature Range

Condition	Parameter	Value	Unit	Notes
Commercial	Normal Operating Temperature Range	$0 \leq T_{OPER} \leq 85$	°C	1
	Extended Temperature Range	$85 < T_{OPER} \leq 95$	°C	1,2
Quasi Industrial	Normal Operating Temperature Range	$-40 \leq T_{OPER} \leq 85$	°C	1
	Extended Temperature Range	$85 < T_{OPER} \leq 95$	°C	1,2
Industrial	Normal Operating Temperature Range	$-40 \leq T_{OPER} \leq 85$	°C	1
	Extended Temperature Range	$85 < T_{OPER} \leq 95$	°C	1,2

Note:

1. Operating Temperature  $T_{OPER}$  is the case

surface temperature on the center/top side of the DRAM.

2. Some applications require operation of the DRAM in the Extended Temperature Range between 85°C and 95°C case temperature.

Full specifications are guaranteed in this range, but the following additional apply.

- a) Refresh commands must be doubled in frequency, therefore, reducing the Refresh interval  $tREFI$  to 3.9us.
- b) If Self-Refresh operation is required in the Extended Temperature Range, then it is mandatory to either use the Manual Self-Refresh mode with Extended Temperature Range capability (MR2 A6=0 and MR2 A7=1) or enable the optional Auto Self-Refresh mode (MR2 A6=1 and MR2 A7=0).

## AC & DC Operating Conditions

### Recommended DC Operating Conditions

Symbol	Parameter		Rating			Unit	Note
			Min.	Typ.	Max.		
VDD	Supply Voltage	DDR3	1.425	1.5	1.575	V	1,2
		DDR3L	1.283	1.35	1.45		3,4,5,6,7
VDDQ	Supply Voltage for Output	DDR3	1.425	1.5	1.575	V	1,2
		DDR3L	1.283	1.35	1.45		3,4,5,6,7

Note:

- Under all conditions VDDQ must be less than or equal to VDD.
- VDDQ tracks with VDD. AC parameters are measured with VDD and VDDQ tied together.
- Maximum DC value may not be greater than 1.425V. The DC value is the linear average of VDD/ VDDQ(t) over a very long period of time (e.g., 1 sec).
- If maximum limit is exceeded, input levels shall be governed by DDR3 specifications.
- Under these supply voltages, the device operates to this DDR3L specification.
- Once initialized for DDR3 operation, DDR3L operation may only be used if the device is in reset while VDD and VDDQ are changed for DDR3L operation.
- VDD= VDDQ= 1.35V (1.283 – 1.45V )

Backward compatible to VDD= VDDQ= 1.5V  $\pm$ 0.075V

Supports DDR3L devices to be backward com-patible in 1.5V applications

## AC & DC Input Measurement Levels

### DDR3 AC and DC Logic Input Levels for Command and Address

Symbol	Parameter	DDR3				Unit	Notes
		800,1066,1333,1600		1866,2133			
		Min	Max	Min	Max		
VIH.CA(DC100)	DC input logic high	Vref + 0.1	VDD	Vref + 0.1	VDD	V	1, 5
VIL.CA(DC100)	DC input logic low	VSS	Vref - 0.1	VSS	Vref - 0.1	V	1, 6
VIH.CA(AC175)	AC input logic high	Vref + 0.175	Note 2	-	-	V	1, 2, 7
VIL.CA(AC175)	AC input logic low	Note 2	Vref - 0.175	-	-	V	1, 2, 8
VIH.CA(AC150)	AC input logic high	Vref + 0.150	Note 2	-	-	V	1, 2, 7
VIL.CA(AC150)	AC input logic low	Note 2	Vref - 0.150	-	-	V	1, 2, 8
VIH.CA(AC135)	AC input logic high	-	-	Vref + 0.135	Note 2	V	1, 2, 7
VIL.CA(AC135)	AC input logic low	-	-	Note 2	Vref - 0.135	V	1, 2, 8
VIH.CA(AC125)	AC input logic high	-	-	Vref + 0.125	Note 2	V	1, 2, 7
VIL.CA(AC125)	AC input logic low	-	-	Note 2	Vref - 0.125	V	1, 2, 8
VRefCA(DC)	Reference Voltage for ADD, CMD inputs	0.49 * VDD	0.51 * VDD	0.49 * VDD	0.51 * VDD	V	3, 4, 9

NOTE 1. For input only pins except **RESET**. Vref = VrefCA(DC).

NOTE 2. See "Overshoot and Undershoot Specifications".

NOTE 3. The ac peak noise on VRef may not allow VRef to deviate from VRefCA(DC) by more than +/-1% VDD (for reference: approx. +/- 15 mV).

NOTE 4. For reference: approx. VDD/2 +/- 15 mV.

NOTE 5. VIH(dc) is used as a simplified symbol for VIH.CA(DC100)

NOTE 6. VIL(dc) is used as a simplified symbol for VIL.CA(DC100)

NOTE 7. VIH(ac) is used as a simplified symbol for VIH.CA(AC175), VIH.CA(AC150), VIH.CA(AC135), and VIH.CA(AC125); VIH.CA(AC175) value is used when Vref + 0.175V is referenced, VIH.CA(AC150) value is used when Vref + 0.150V is referenced, VIH.CA(AC135) value is used when Vref + 0.135V is referenced, and VIH.CA(AC125) value is used when Vref + 0.125V is referenced.

NOTE 8. VIL(ac) is used as a simplified symbol for VIL.CA(AC175), VIL.CA(AC150), VIL.CA(AC135) and VIL.CA(AC125); VIL.CA(AC175) value is used when Vref - 0.175V is referenced, VIL.CA(AC150) value is used when Vref - 0.150V is referenced, VIL.CA(AC135) value is used when Vref - 0.135V is referenced, and VIL.CA(AC125) value is used when Vref - 0.125V is referenced.

NOTE 9. VrefCA(DC) is measured relative to VDD at the same point in time on the same device

**DDR3L AC and DC Logic Input Levels for Command and Address**

Symbol	Parameter	DDR3L						Unit	Notes
		1066		1333,1600		1866			
		Min	Max	Min	Max	Min	Max		
VIH.CA(DC90)	DC input logic high	Vref + 0.09	VDD	Vref + 0.09	VDD	Vref + 0.09	VDD	V	1
VIL.CA(DC90)	DC input logic low	VSS	Vref - 0.09	VSS	Vref - 0.09	VSS	Vref - 0.09	V	1
VIH.CA(AC160)	AC input logic high	Vref + 0.16	Note 2	Vref + 0.16	Note 2	-	-	V	1,2
VIL.CA(AC160)	AC input logic low	Note 2	Vref - 0.16	Note 2	Vref - 0.16	-	-	V	1,2
VIH.CA(AC135)	AC input logic high	Vref + 0.135	Note 2	Vref + 0.135	Note 2	Vref + 0.135	Note 2	V	1,2
VIL.CA(AC135)	AC input logic low	Note 2	Vref - 0.135	Note 2	Vref - 0.135	Note 2	Vref - 0.135	V	1,2
VIH.CA(AC125)	AC input logic high	-	-	-	-	Vref + 0.125	Note 2	V	1,2
VIL.CA(AC125)	AC input logic low	-	-	-	-	Note 2	Vref - 0.125	V	1,2
VRefCA(DC)	Reference Voltage for ADD, CMD inputs	0.49 * VDD	0.51 * VDD	0.49 * VDD	0.51 * VDD	0.49 * VDD	0.51 * VDD	V	3,4

NOTE 1 For input only pins except  $\overline{\text{RESET}}$ . Vref = VrefCA(DC).

NOTE 2 See "Overshoot and Undershoot Specifications"

NOTE 3 The AC peak noise on VRef may not allow VRef to deviate from VRefDQ(DC) by more than +/-1% VDD (for reference: approx. +/- 13.5 mV).

NOTE 4 For reference: approx. VDD/2 +/- 13.5 mV

**DDR3 AC and DC Logic Input Levels for DQ and DM**

Symbol	Parameter	DDR3						Unit	Notes
		800,1066		1333,1600		1866,2133			
		Min	Max	Min	Max	Min	Max		
VIH.DQ(DC100)	DC input logic high	Vref + 0.1	VDD	Vref + 0.1	VDD	Vref + 0.1	VDD	V	1, 5
VIL.DQ(DC100)	DC input logic low	VSS	Vref - 0.1	VSS	Vref - 0.1	VSS	Vref - 0.1	V	1, 6
VIH.DQ(AC175)	AC input logic high	Vref + 0.175	Note 2	-	-	-	-	V	1, 2, 7
VIL.DQ(AC175)	AC input logic low	Note 2	Vref - 0.175	-	-	-	-	V	1, 2, 8
VIH.DQ(AC150)	AC input logic high	Vref + 0.150	Note 2	Vref + 0.150	Note 2	-	-	V	1, 2, 7
VIL.DQ(AC150)	AC input logic low	Note 2	Vref - 0.150	Note 2	Vref - 0.150	-	-	V	1, 2, 8
VIH.DQ(AC135)	AC input logic high	Vref + 0.135	Note 2	Vref + 0.135	Note 2	Vref + 0.135	Note 2	V	1, 2, 7
VIL.DQ(AC135)	AC input logic low	Note 2	Vref - 0.135	Note 2	Vref - 0.135	Note 2	Vref - 0.135	V	1, 2, 8
VRefDQ(DC)	Reference Voltage for DQ, DM inputs	0.49 * VDD	0.51 * VDD	0.49 * VDD	0.51 * VDD	0.49 * VDD	0.51 * VDD	V	3, 4, 9

NOTE 1. Vref = VrefDQ(DC).

NOTE 2. See "Overshoot and Undershoot Specifications".

NOTE 3. The ac peak noise on VRef may not allow VRef to deviate from VRefDQ(DC) by more than +/-1% VDD (for reference: approx. +/- 15 mV).

NOTE 4. For reference: approx. VDD/2 +/- 15 mV.

NOTE 5. VIH(dc) is used as a simplified symbol for VIH.DQ(DC100)

NOTE 6. VIL(dc) is used as a simplified symbol for VIL.DQ(DC100)

NOTE 7. VIH(ac) is used as a simplified symbol for VIH.DQ(AC175), VIH.DQ(AC150), and VIH.DQ(AC135); VIH.DQ(AC175) value is used when Vref + 0.175V is referenced, VIH.DQ(AC150) value is used when Vref + 0.150V is referenced, and VIH.DQ(AC135) value is used when Vref + 0.135V is referenced.

NOTE 8. VIL(ac) is used as a simplified symbol for VIL.DQ(AC175), VIL.DQ(AC150), and VIL.DQ(AC135); VIL.DQ(AC175) value is used when Vref - 0.175V is referenced, VIL.DQ(AC150) value is used when Vref - 0.150V is referenced, and VIL.DQ(AC135) value is used when Vref - 0.135V is referenced.

NOTE 9. VrefCA(DC) is measured relative to VDD at the same point in time on the same device

**DDR3L AC and DC Logic Input Levels for DQ and DM**

Symbol	Parameter	DDR3L						Unit	Notes
		1066		1333,1600		1866			
		Min	Max	Min	Max	Min	Max		
VIH.DQ(DC90)	DC input logic high	Vref + 0.09	VDD	Vref + 0.09	VDD	Vref + 0.09	VDD	V	1
VIL.DQ(DC90)	DC input logic low	Vss	Vref - 0.09	Vss	Vref - 0.09	Vss	Vref - 0.09	V	1
VIH.DQ(AC160)	AC input logic high	Vref + 0.16	Note 2	Vref + 0.16	Note 2	-	-	V	1,2
VIL.DQ(AC160)	AC input logic low	Note 2	Vref - 0.16	Note 2	Vref - 0.16	-	-	V	1,2
VIH.DQ(AC135)	AC input logic high	Vref + 0.135	Note 2	Vref + 0.135	Note 2	Vref + 0.135	Note 2	V	1,2
VIL.DQ(AC135)	AC input logic low	Note 2	Vref - 0.135	Note 2	Vref - 0.135	Note 2	Vref - 0.135	V	1,2
VIH.DQ(AC130)	AC input logic high	-	-	-	-	Vref + 0.13	Note 2	V	1,2
VIL.DQ(AC130)	AC input logic low	-	-	-	-	Note 2	Vref - 0.13	V	1,2
VRefDQ(DC)	Reference Voltage for DQ, DM inputs	0.49 * VDD	0.51 * VDD	0.49 * VDD	0.51 * VDD	0.49 * VDD	0.51 * VDD	V	3,4

NOTE 1 For input only pins except RESET. Vref = VrefDQ(DC).

NOTE 2 See "Overshoot and Undershoot Specifications".

NOTE 3 The AC peak noise on VRef may not allow VRef to deviate from VRefDQ(DC) by more than +/-1% VDD (for reference: approx. +/- 13.5 mV).

NOTE 4 For reference: approx. VDD/2 +/- 13.5 mV.

## Vref Tolerances

The dc-tolerance limits and ac-noise limits for the reference voltages VrefCA and VrefDQ are illustrated in the following figure. It shows a valid reference voltage Vref(t) as a function of time. (Vref stands for VrefCA and VrefDQ likewise).

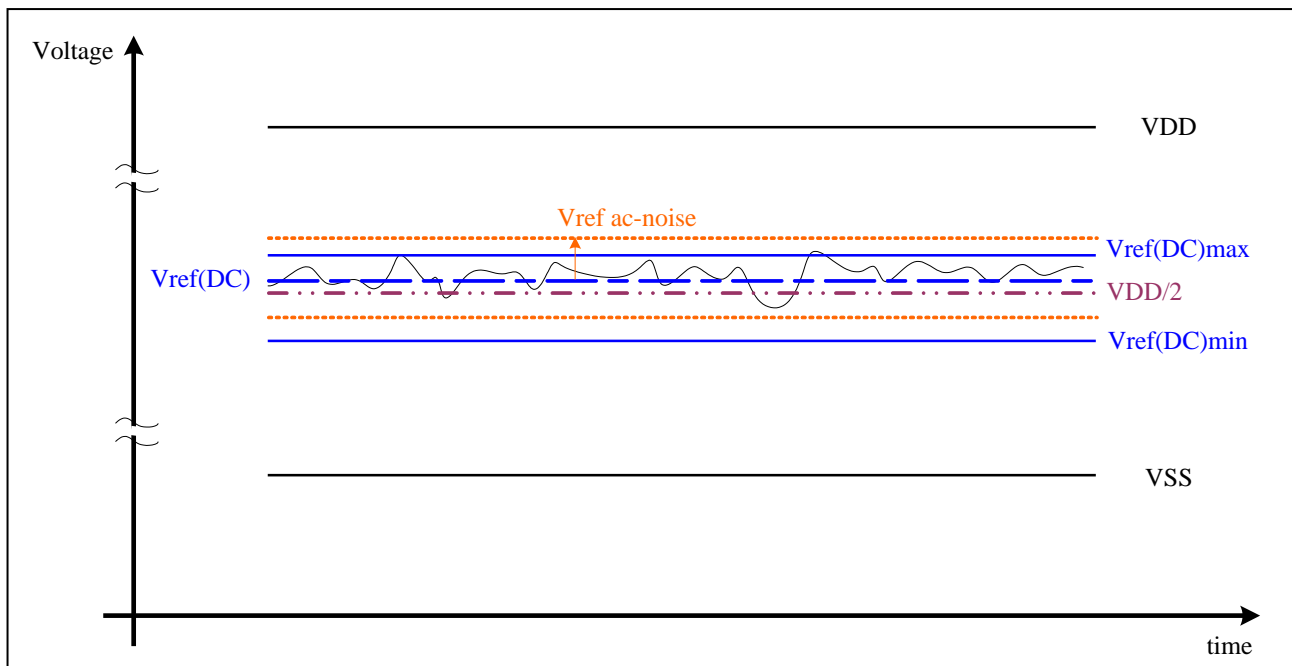
Vref(DC) is the linear average of Vref(t) over a very long period of time (e.g., 1 sec). This average has to meet the min/max requirements in previous page. Furthermore Vref(t) may temporarily deviate from Vref(DC) by no more than  $\pm 1\%$  VDD.

The voltage levels for setup and hold time measurements VIH(AC), VIH(DC), VIL(AC), and VIL(DC) are dependent on Vref. "Vref" shall be understood as Vref(DC).

The clarifies that dc-variations of Vref affect the absolute voltage a signal has to reach to achieve a valid high or low level and therefore the time to which setup and hold is measured. System timing and voltage budgets need to account for Vref(DC) deviations from the optimum position within the data-eye of the input signals.

This also clarifies that the DRAM setup/hold specification and de-rating values need to include time and voltage associated with Vref ac-noise. Timing and voltage effects due to ac-noise on Vref up to the specified limit ( $\pm 1\%$  of VDD) are included in DRAM timing and their associated de-ratings.

## Illustration of Vref(DC) tolerance and Vrefac-noise limits



**DDR3 Differential AC and DC Input Levels for clock (CK -  $\overline{CK}$ ) and strobe (DQS -  $\overline{DQS}$ )**

Symbol	Parameter	DDR3-800, 1066, 1333, & 1600		Unit	Notes
		Min	Max		
VIHdiff	Differential input high	+ 0.200	Note 3	V	1
VILdiff	Differential input logic low	Note 3	- 0.200	V	1
VIHdiff(ac)	Differential input high ac	2 x (VIH(ac) - Vref)	Note 3	V	2
VILdiff(ac)	Differential input low ac	Note 3	2 x (VIL(ac) - Vref)	V	2

NOTE 1. Used to define a differential signal slew-rate.

NOTE 2. For CK -  $\overline{CK}$  use VIH/VIL(ac) of ADD/CMD and VREFCA; for DQS -  $\overline{DQS}$ , DQSL,  $\overline{DQSL}$ , DQSU,  $\overline{DQSU}$  use VIH/VIL(ac) of DQs and VREFDQ; if a reduced ac-high or ac-low level is used for a signal group, then the reduced level applies also here.

NOTE 3. These values are not defined; however, the single-ended signals CK,  $\overline{CK}$ , DQS,  $\overline{DQS}$ , DQSL,  $\overline{DQSL}$ , DQSU,  $\overline{DQSU}$  need to be within the respective limits (VIH(dc) max, VIL(dc)min) for single-ended signals as well as the limitations for overshoot and undershoot. Refer to "Overshoot and Undershoot Specifications"

**DDR3L Differential AC and DC Input Levels for clock (CK -  $\overline{CK}$ ) and strobe (DQS -  $\overline{DQS}$ )**

Symbol	Parameter	DDR3L- 1066, 1333, 1600 & 1866		Unit	Notes
		Min	Max		
VIHdiff	Differential input high	+ 0.180	Note 3	V	1
VILdiff	Differential input logic low	Note 3	- 0.180	V	1
VIHdiff(ac)	Differential input high ac	2 x (VIH(ac) - Vref)	Note 3	V	2
VILdiff(ac)	Differential input low ac	Note 3	2 x (VIL(ac) - Vref)	V	2

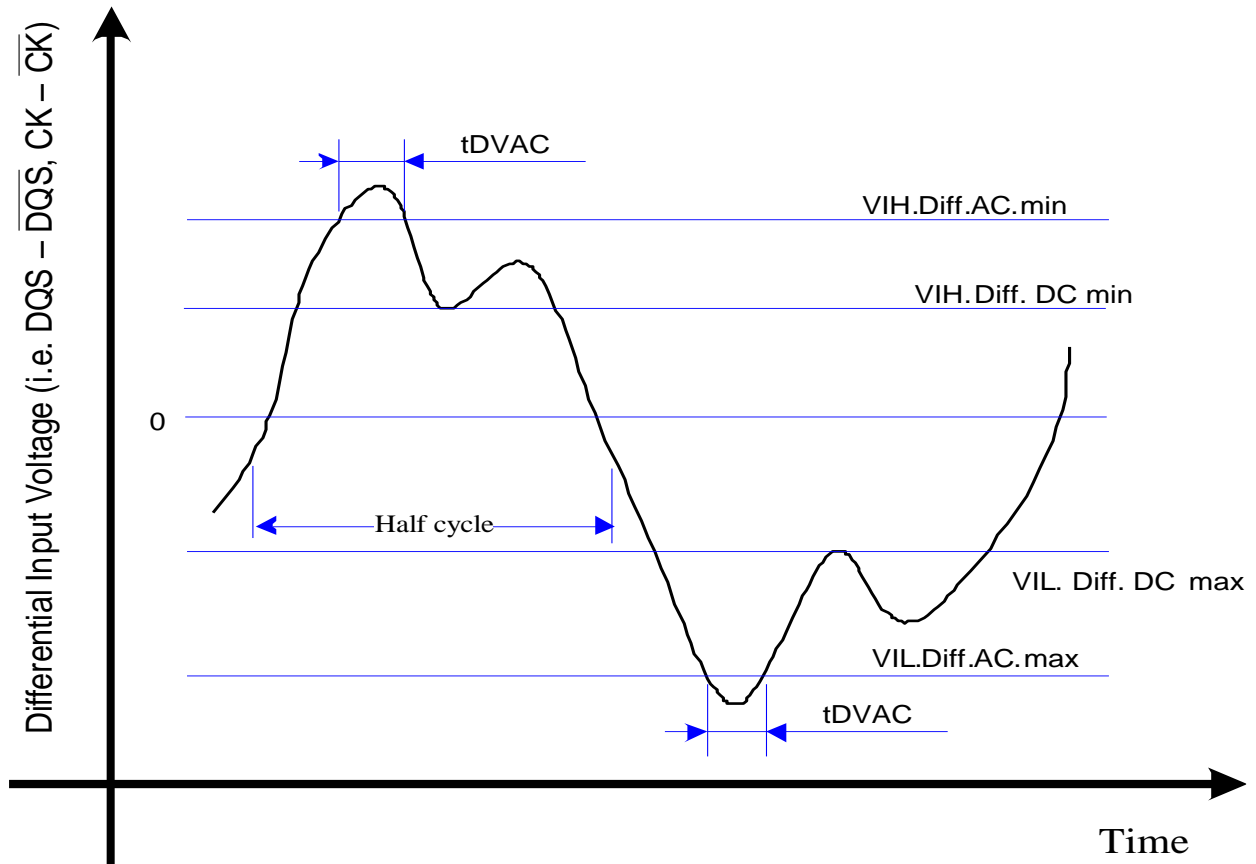
NOTE 1 Used to define a differential signal slew-rate.

NOTE 2 For CK -  $\overline{CK}$  use VIH/VIL(AC) of ADD/CMD and VREFCA; for DQS -  $\overline{DQS}$ , DQSL,  $\overline{DQSL}$ , DQSU,  $\overline{DQSU}$  use VIH/VIL(AC) of DQs and VREFDQ; if a reduced AC-high or AC-low level is used for a signal group, then the reduced level applies also here.

NOTE 3 These values are not defined, however the single-ended signals CK,  $\overline{CK}$ , DQS,  $\overline{DQS}$ , DQSL,  $\overline{DQSL}$ , DQSU,  $\overline{DQSU}$  need to be within the respective limits (VIH(DC) max, VIL(DC)min) for single-ended signals as well as the limitations for overshoot and undershoot. Refer to "Overshoot and Undershoot Specifications".



Definition of differential ac-swing and "time above ac-level"



**DDR3 Allowed time before ringback (tDVAC) for CK -  $\overline{CK}$  and DQS -  $\overline{DQS}$** 

Slew Rate [V/ns]	DDR3-800 / 1066 / 1333 / 1600						DDR3-1866 / 2133			
	tDVAC [ps] @  VIH/Ldiff(AC)  = 350mV		tDVAC [ ps ] @  VIH/Ldiff(AC)  = 300mV		tDVAC [ ps ] @  VIH/Ldiff(AC)  = (DQS - $\overline{DQS}$ ) only		tDVAC [ ps ] @  VIH/Ldiff(AC)  = 300mV		tDVAC [ ps ] @  VIH/Ldiff(AC)  = (CK - $\overline{CK}$ ) only	
	Min	Max	Min	Max	Min	Max	Min	Max	Min	Max
> 4.0	75	-	175	-	214	-	134	-	139	-
4.0	57	-	170	-	214	-	134	-	139	-
3.0	50	-	167	-	191	-	112	-	118	-
2.0	38	-	119	-	146	-	67	-	77	-
1.8	34	-	102	-	131	-	52	-	63	-
1.6	29	-	81	-	113	-	33	-	45	-
1.4	22	-	54	-	88	-	9	-	23	-
1.2	note	-	19	-	56	-	note	-	note	-
1.0	note	-	note	-	11	-	note	-	note	-
< 1.0	note	-	note	-	note	-	note	-	note	-

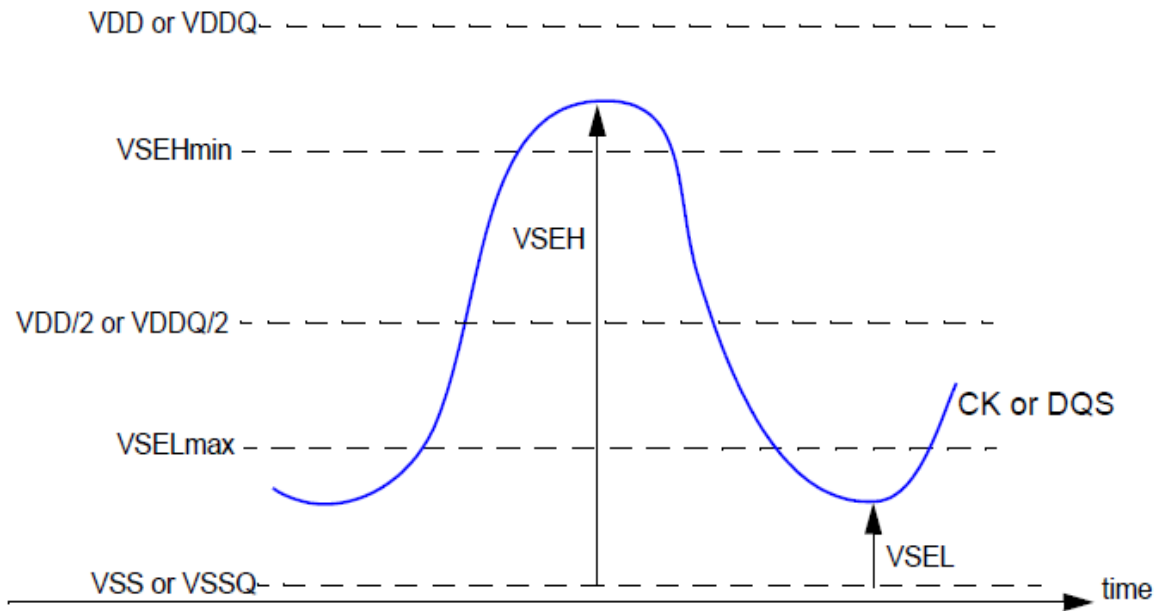
NOTE 1. Rising input differential signal shall become equal to or greater than VIHdiff(ac) level and Falling input differential signal shall become equal to or less than VILdiff(ac) level.

**DDR3L Allowed time before ringback (tDVAC) for CK -  $\overline{CK}$  and DQS -  $\overline{DQS}$** 

Slew Rate [V/ns]	DDR3L-1066/1333/1600				DDR3L-1866					
	tDVAC [ps] @ VIH/Ldiff(AC)  = 320 mV		tDVAC [ps] @ VIH/Ldiff(AC)  = 270 mV		tDVAC [ps] @ VIH/Ldiff(AC)  = 270 mV		tDVAC [ps] @ VIH/Ldiff(AC)  = 250 mV		tDVAC [ps] @ VIH/Ldiff(AC)  = 260 mV	
	Min	Max	Min	Max	Min	Max	Min	Max	Min	Max
> 4.0	189	-	201	-	163	-	168	-	176	-
4.0	189	-	201	-	163	-	168	-	176	-
3.0	162	-	179	-	140	-	147	-	154	-
2.0	109	-	134	-	95	-	105	-	111	-
1.8	91	-	119	-	80	-	91	-	97	-
1.6	69	-	100	-	62	-	74	-	78	-
1.4	40	-	76	-	37	-	52	-	56	-
1.2	note	-	44	-	5	-	22	-	24	-
1.0	note	-	note	-	note	-	note	-	note	-
< 1.0	note	-	note	-	note	-	note	-	note	-

NOTE 1. Rising input differential signal shall become equal to or greater than VIHdiff(ac) level and Falling input differential signal shall become equal to or less than VILdiff(ac) level.

## Single-ended requirements for differential signals



**Single-ended requirement for differential signals.**

Each individual component of a differential signal (CK, DQS, DQSL, DQSU,  $\overline{\text{CK}}$ ,  $\overline{\text{DQS}}$ ,  $\overline{\text{DQSL}}$ , or  $\overline{\text{DQSU}}$ ) has also to comply with certain requirements for single-ended signals.

CK and  $\overline{\text{CK}}$  have to approximately reach VSEHmin / VSELmax (approximately equal to the ac-levels (VIH (ac) / VIL (ac)) for ADD/CMD signals) in every half-cycle. DQS, DQSL, DQSU,  $\overline{\text{DQS}}$ ,  $\overline{\text{DQSL}}$  have to reach VSEHmin / VSELmax (approximately the ac-levels (VIH (ac) / VIL (ac)) for DQ signals) in every half-cycle preceding and following a valid transition. Note that the applicable ac-levels for ADD/CMD and DQ's might be different per speed-bin etc. E.g., if VIH150 (ac)/VIL150(ac) is used for ADD/CMD signals, then these ac-levels apply also for the singleended signals CK and  $\overline{\text{CK}}$ .

**Single-ended levels for CK, DQS, DQSL, DQSU,  $\overline{CK}$ ,  $\overline{DQS}$ ,  $\overline{DQSL}$ , or  $\overline{DQSU}$** 

Symbol	Parameter	DDR3(L)- 1066, 1333, & 1600		Unit	Notes
		Min.	Max.		
VSEH	Single-ended high-level for strobes	$(VDDQ/2) + 0.175$	note3	V	1, 2
	Single-ended high-level for CK, $\overline{CK}$	$(VDDQ/2) + 0.175$	note3	V	1, 2
VSEL	Single-ended low-level for strobes	note3	$(VDDQ/2) - 0.175$	V	1, 2
	Single-ended Low-level for CK, $\overline{CK}$	note3	$(VDDQ/2) - 0.175$	V	1, 2

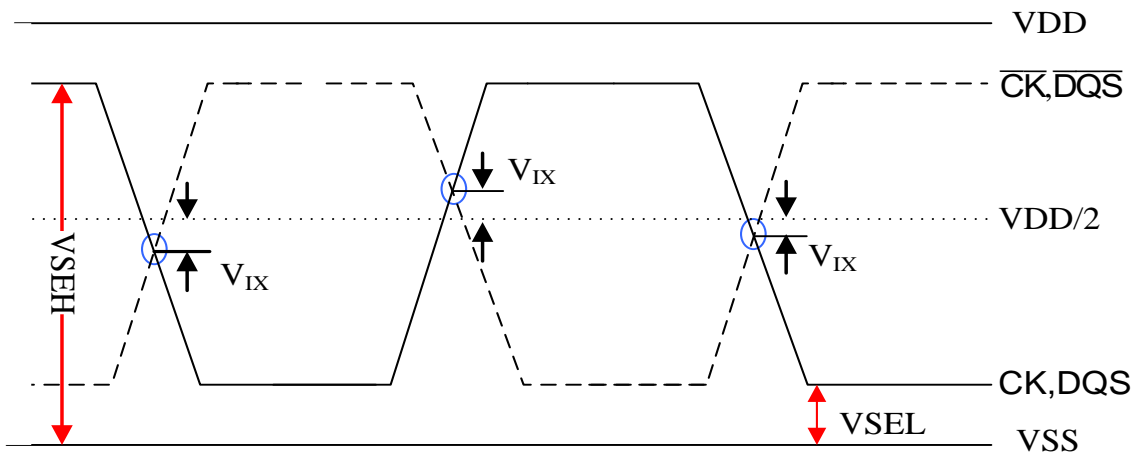
Note:

1. For CK,  $\overline{CK}$  use VIH/VIL(ac) of ADD/CMD; for strobes (DQS, DQSL, DQSU, CK,  $\overline{DQS}$ ,  $\overline{DQSL}$ , or  $\overline{DQSU}$ ) use VIH/VIL(ac) of DQs.
2. VIH(ac)/VIL(ac) for DQs is based on VREFDQ; VIH(ac)/VIL(ac) for ADD/CMD is based on VREFCA; if a reduced ac-high or ac-low level is used for a signal group, then the reduced level applies also there.
3. These values are not defined, however the single-ended signals CK,  $\overline{CK}$ , DQS,  $\overline{DQS}$ , DQSL,  $\overline{DQSL}$ , DQSU,  $\overline{DQSU}$  need to be within the respective limits (VIH(dc)max, VIL(dc)min) for single-ended signals as well as limitations for overshoot and undershoot.

## Differential Input Cross Point Voltage

To guarantee tight setup and hold times as well as output skew parameters with respect to clock and strobe, each cross point voltage of differential input signals (CK,  $\overline{\text{CK}}$  and DQS,  $\overline{\text{DQS}}$ ) must meet the requirements in the following table. The differential input cross point voltage  $V_{ix}$  is measured from the actual cross point of true and complete signal to the midlevel between of VDD and VSS.

### Vix Definition



### Cross point voltage for differential input signals (CK, DQS)

Symbol	Parameter	DDR3		DDR3L		Unit	Notes
		800/1066/1333/1600/ 1866/2133		1066/1333/1600/ 1866			
		Min	Max	Min	Max		
VIX(CK)	Differential Input Cross Point Voltage relative to $V_{DD}/2$ for CK, $\overline{\text{CK}}$	- 150	+ 150	- 150	+ 150	mV	1
		- 175	+ 175			mV	2
VIX(DQS)	Differential Input Cross Point Voltage relative to $V_{DD}/2$ for DQS, $\overline{\text{DQS}}$	- 150	+ 150	- 150	+ 150	mV	1

**Note 1** The relation between  $V_{ix}$  Min/Max and  $V_{SEL}/V_{SEH}$  should satisfy following:

$$(V_{DD}/2) + V_{IX} (\text{min}) - V_{SEL} \geq 25 \text{ mV};$$

$$V_{SEH} - ((V_{DD}/2) + V_{IX} (\text{max})) \geq 25 \text{ mV};$$

**Note 2** Extended range for  $V_{ix}$  is only allowed for clock and if single-ended clock input signals CK and  $\overline{\text{CK}}$  are monotonic with a single-ended swing  $V_{SEL} / V_{SEH}$  of at least  $V_{DD}/2 \pm 250 \text{ mV}$ , and when the differential slew rate of CK -  $\overline{\text{CK}}$  is larger than  $3 \text{ V/ns}$ .

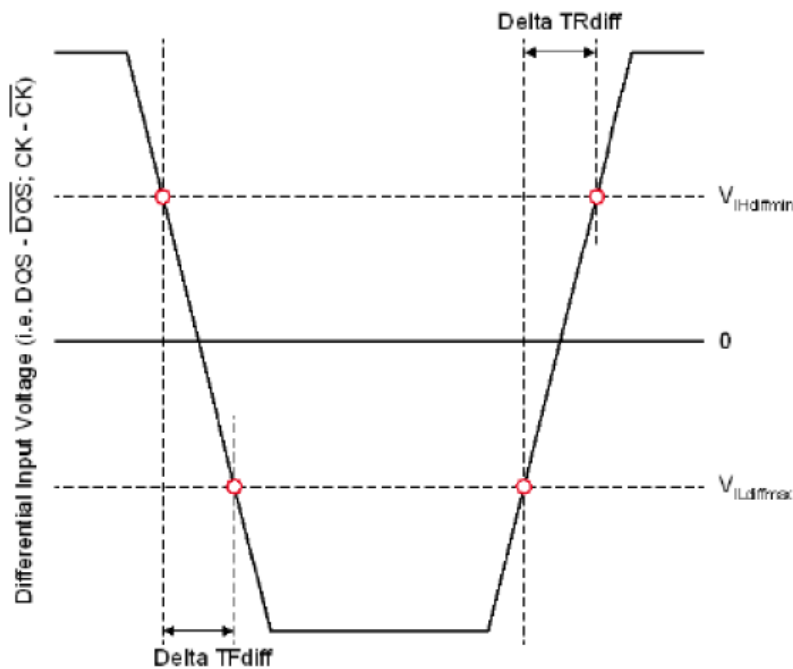
### Slew Rate Definition for Differential Input Signals

Input slew rate for differential signals (CK,  $\overline{\text{CK}}$  and DQS,  $\overline{\text{DQS}}$ ) are defined and measured as shown below.

### Differential Input Slew Rate Definition

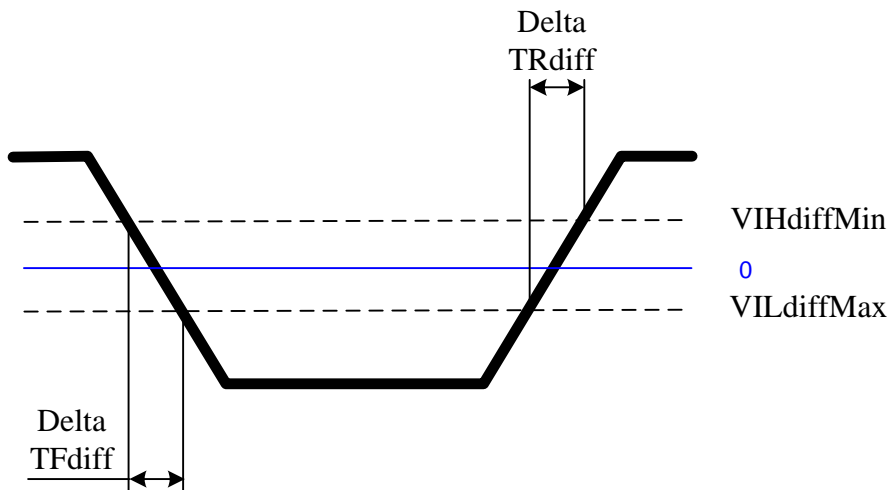
Description	Measured		Defined by
	From	To	
Differential input slew rate for rising edge (CK- $\overline{\text{CK}}$ & DQS- $\overline{\text{DQS}}$ )	VILdiffmax	VIHdiffmin	$[\text{VIHdiffmin} - \text{VILdiffmax}] / \Delta\text{TRdiff}$
Differential input slew rate for falling edge (CK- $\overline{\text{CK}}$ & DQS- $\overline{\text{DQS}}$ )	VIHdiffmin	VILdiffmax	$[\text{VIHdiffmin} - \text{VILdiffmax}] / \Delta\text{TFdiff}$

The differential signal (i.e., CK- $\overline{\text{CK}}$  & DQS- $\overline{\text{DQS}}$ ) must be linear between these thresholds.



### Differential Input Slew Rate Definition for DQS, DQS# and CK, CK#

## Input Nominal Slew Rate Definition for single ended signals



**AC and DC Output Measurement Levels**

### Single Ended AC and DC Output Levels

Symbol	Parameter	DDR3(L)	Unit	Notes
VOH(DC)	DC output high measurement level (for IV curve linearity)	0.8xVDDQ	V	
VOM(DC)	DC output mid measurement level (for IV curve linearity)	0.5xVDDQ	V	
VOL(DC)	DC output low measurement level (fro IV curve linearity)	0.2xVDDQ	V	
VOH(AC)	AC output high measurement level (for output SR)	VTT+0.1xVDDQ	V	1
VOL(AC)	AC output low measurement level (for output SR)	VTT-0.1xVDDQ	V	1

Note:

- The swing of  $\pm 0.1 \times VDDQ$  is based on approximately 50% of the static single ended output high or low swing with a driver impedance of  $40 \Omega$  and an effective test load of  $25 \Omega$  to  $VTT = VDDQ/2$ .

### Differential AC and DC Output Levels

Symbol	Parameter	DDR3(L)	Unit	Notes
VOHdiff(AC)	AC differential output high measurement level (for output SR)	+0.2 x VDDQ	V	1
VOLdiff(AC)	AC differential output low measurement level (for output SR)	-0.2 x VDDQ	V	1

Note:

- The swing of  $\pm 0.2 \times VDDQ$  is based on approximately 50% of the static differential output high or low swing with a driver impedance of  $40 \Omega$  and an effective test load of  $25 \Omega$  to  $VTT=VDDQ/2$  at each of the differential outputs.

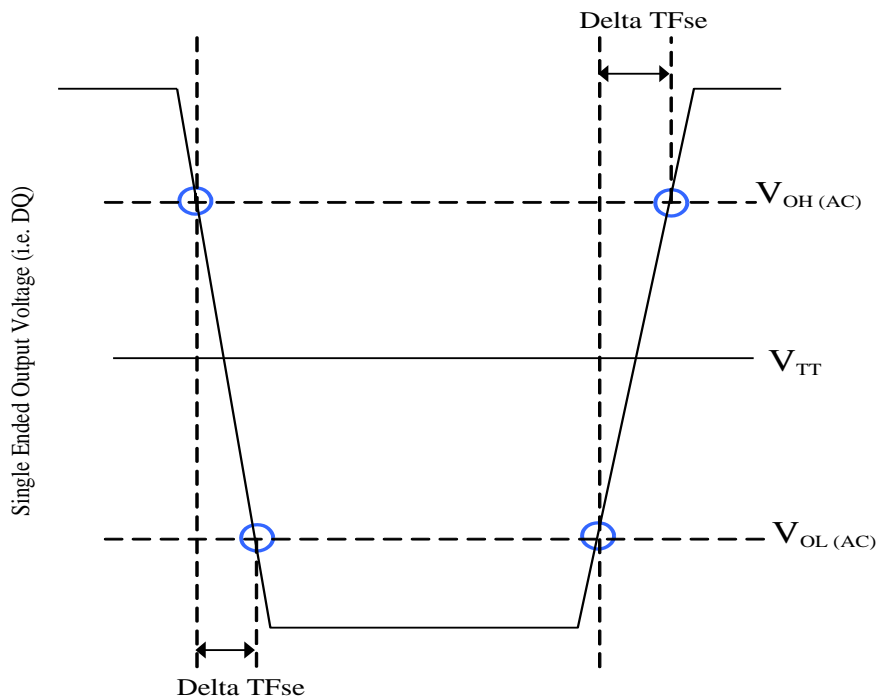


### Single Ended Output Slew Rate

Description	Measured		Defined by
	From	To	
Single ended output slew rate for rising edge	VOL(AC)	VOH(AC)	$[VOH(AC)-VOL(AC)] / \Delta TRse$
Single ended output slew rate for falling edge	VOH(AC)	VOL(AC)	$[VOH(AC)-VOL(AC)] / \Delta TFse$

Note: Output slew rate is verified by design and characterization, and may not be subject to production test.

### Single Ended Output Slew Rate Definition



**Output Slew Rate (Single-ended)**

Parameter	Symbol	-	800		1066		1333		1600		1866		2133		Unit
			Min	Max	Min	Max	Min	Max	Min	Max	Min	Max	Min	Max	
Single-ended Output Slew Rate	SRQse	DDR3	2.5	5	2.5	5	2.5	5	2.5	5	2.5	5	2.5	5	V/ns
		DDR3L	-	-	1.75	5	1.75	5	1.75	5	1.75	5	1.75	5	V/ns

Description: SR: Slew Rate

Q: Query Output (like in DQ, which stands for Data-in, Query-Output)

se: Single-ended Signals

For Ron = RZQ/7 setting

Note 1): In two cases, a maximum slew rate of 6V/ns applies for a single DQ signal within a byte lane.

Case 1 is defined for a single DQ signal within a byte lane which is switching into a certain direction (either from high to low or low to high) while all remaining DQ signals in the same byte lane are static (i.e. they stay at either high or low).

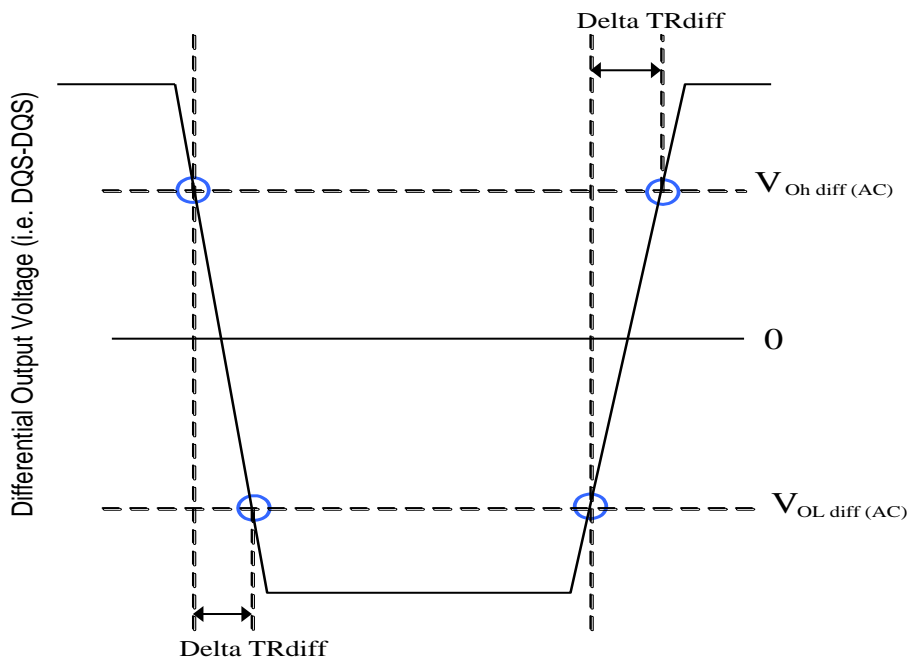
Case 2 is defined for a single DQ signal within a byte lane which is switching into a certain direction (either from high to low or low to high) while all remaining DQ signals in the same byte lane are switching into the opposite direction (i.e. from low to high or high to low respectively). For the remaining DQ signal switching into the opposite direction, the regular maximum limit of 5 V/ns applies.

## Differential Output Slew Rate

Description	Measured		Defined by
	From	To	
Differential output slew rate for rising edge	VOLdiff(AC)	VOHdiff(AC)	$[VOHdiff(AC)-VOLdiff(AC)] / \Delta TRdiff$
Differential output slew rate for falling edge	VOHdiff(AC)	VOLdiff(AC)	$[VOHdiff(AC)-VOLdiff(AC)] / \Delta TRdiff$

Note: Output slew rate is verified by design and characterization, and may not be subject to production test.

## Differential Output Slew Rate Definition



## Output Slew Rate (Differential)

Parameter	Symbol	-	800		1066		1333		1600		1866		2133		Unit
			Min	Max	Min	Max	Min	Max	Min	Max	Min	Max			
Differential Output Slew Rate	SRQdiff	DDR3	5	10	5	10	5	10	5	10	5	12	5	12	V/ns
		DDR3L	-	-	3.5	12	3.5	12	3.5	12	3.5	12	3.5	12	V/ns

Description:

SR: Slew Rate

Q: Query Output (like in DQ, which stands for Data-in, Query-Output)

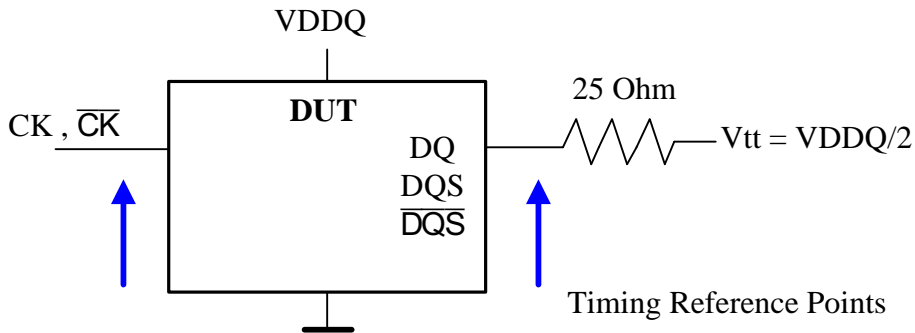
diff: Differential Signals

For Ron = RZQ/7 setting

## Reference Load for AC Timing and Output Slew Rate

The following figure represents the effective reference load of 25 ohms used in defining the relevant AC timing parameters of the device as well as output slew rate measurements.

It is not intended as a precise representation of any particular system environment or a depiction of the actual load presented by a production tester. System designers should use IBIS or other simulation tools to correlate the timing reference load to a system environment. Manufacturers correlate to their production test conditions, generally one or more coaxial transmission lines terminated at the tester electronics.



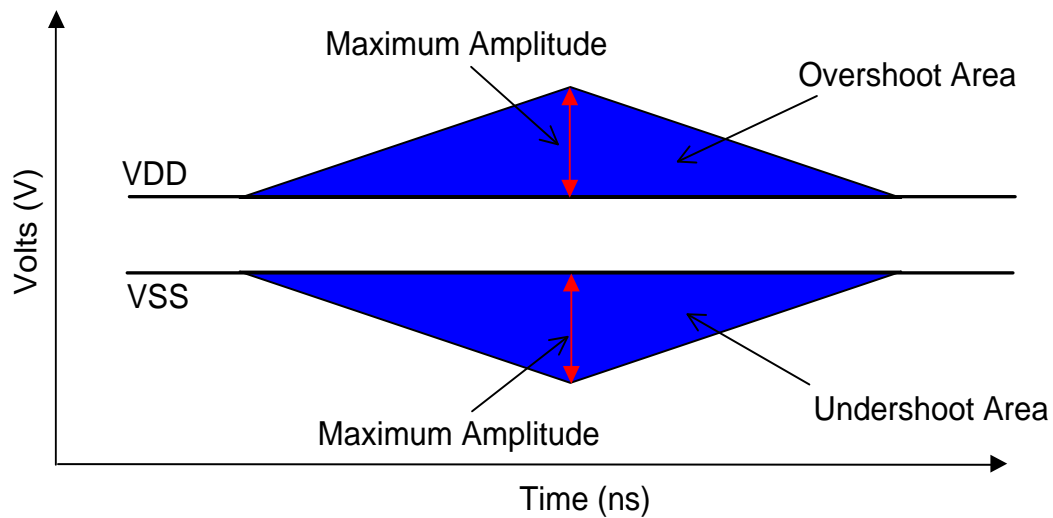
## Overshoot and Undershoot Specifications

### AC Overshoot/Undershoot Specification for Address and Control Pins

-	800	1066	1333	1600	1866	2133	Unit
Maximum peak amplitude allowed for overshoot area	0.4	0.4	0.4	0.4	0.4	0.4	V
Maximum peak amplitude allowed for undershoot area.	0.4	0.4	0.4	0.4	0.4	0.4	V
Maximum overshoot area above VDD	0.67	0.5	0.4	0.33	0.28	0.25	V-ns
Maximum undershoot area below VSS	0.67	0.5	0.4	0.33	0.28	0.25	V-ns

NOTE 1. The sum of the applied voltage (VDD) and peak amplitude overshoot voltage is not to exceed absolute maximum DC ratings

NOTE 2. The sum of applied voltage (VDD) and the peak amplitude undershoot voltage is not to exceed absolute maximum DC ratings



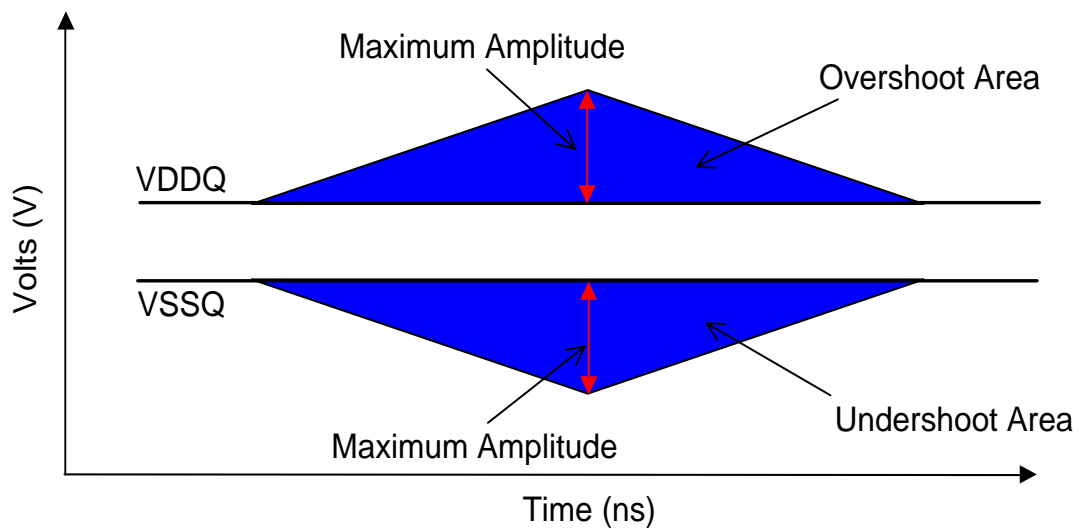
## Overshoot and Undershoot Specifications

### AC Overshoot/Undershoot Specification for Clock, Data, Strobe and Mask

	800	1066	1333	1600	1866	2133	Unit
Maximum peak amplitude allowed for overshoot area	0.4	0.4	0.4	0.4	0.4	0.4	V
Maximum peak amplitude allowed for undershoot area.	0.4	0.4	0.4	0.4	0.4	0.4	V
Maximum overshoot area above VDD	0.25	0.19	0.15	0.13	0.11	0.10	V-ns
Maximum undershoot area below VSS	0.25	0.19	0.15	0.13	0.11	0.10	V-ns

NOTE 1. The sum of the applied voltage (VDD) and peak amplitude overshoot voltage is not to exceed absolute maximum DC ratings

NOTE 2. The sum of applied voltage (VDD) and the peak amplitude undershoot voltage is not to exceed absolute maximum DC ratings



### 34 Ohm Output Driver DC Electrical Characteristics

A Functional representation of the output buffer is shown as below. Output driver impedance RON is defined by the value of the external reference resistor RZQ as follows:

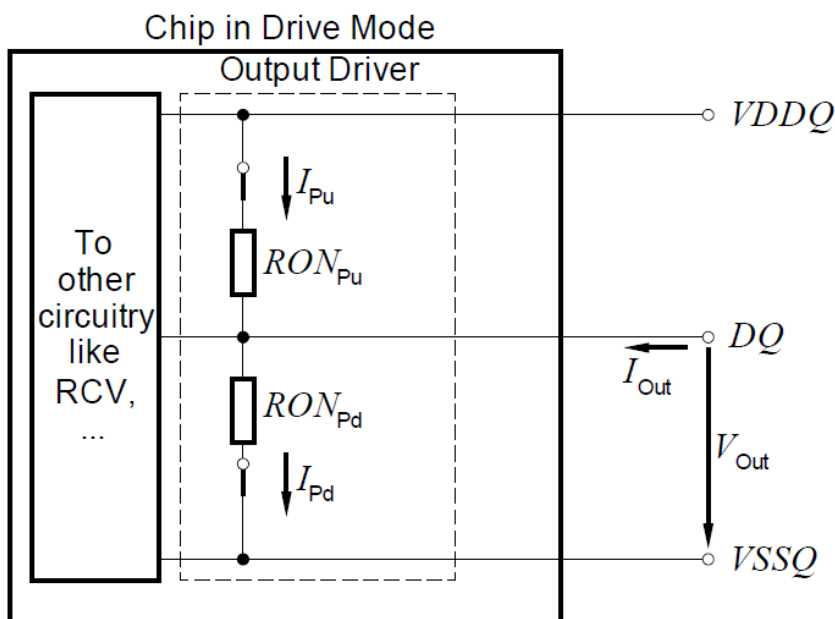
$$RON_{34} = R_{ZQ} / 7 \text{ (nominal 34.4ohms +/-10\% with nominal } R_{ZQ}=240\text{ohms)}$$

The individual pull-up and pull-down resistors ( $RON_{Pu}$  and  $RON_{Pd}$ ) are defined as follows:

$$RON_{Pu} = \frac{V_{DDQ} - V_{Out}}{|I_{Out}|} \quad \text{under the condition that } RON_{Pd} \text{ is turned off} \quad (1)$$

$$RON_{Pd} = \frac{V_{Out}}{|I_{Out}|} \quad \text{under the condition that } RON_{Pu} \text{ is turned off} \quad (2)$$

### Output Driver: Definition of Voltages and Currents



**Output Driver DC Electrical Characteristics, assuming  $R_{ZQ} = 240\text{ohms}$ ; entire operating temperature range; after proper ZQ calibration**

$R_{ON_{Nom}}$	Resistor	Vout	Min.	Nom.	Max.	Unit	Notes
<b>DDR3L</b>							
34 ohms	RON34Pd	$V_{OLdc} = 0.2 \times V_{DDQ}$	0.6	1.0	1.15	$R_{ZQ} / 7$	1,2,3
		$V_{OMdc} = 0.5 \times V_{DDQ}$	0.9	1.0	1.15	$R_{ZQ} / 7$	1,2,3
		$V_{OHdc} = 0.8 \times V_{DDQ}$	0.9	1.0	1.45	$R_{ZQ} / 7$	1,2,3
	RON34Pu	$V_{OLdc} = 0.2 \times V_{DDQ}$	0.9	1.0	1.45	$R_{ZQ} / 7$	1,2,3
		$V_{OMdc} = 0.5 \times V_{DDQ}$	0.9	1.0	1.15	$R_{ZQ} / 7$	1,2,3
		$V_{OHdc} = 0.8 \times V_{DDQ}$	0.6	1.0	1.15	$R_{ZQ} / 7$	1,2,3
40 ohms	RON40Pd	$V_{OLdc} = 0.2 \times V_{DDQ}$	0.6	1.0	1.15	$R_{ZQ} / 6$	1,2,3
		$V_{OMdc} = 0.5 \times V_{DDQ}$	0.9	1.0	1.15	$R_{ZQ} / 6$	1,2,3
		$V_{OHdc} = 0.8 \times V_{DDQ}$	0.9	1.0	1.45	$R_{ZQ} / 6$	1,2,3
	RON40Pu	$V_{OLdc} = 0.2 \times V_{DDQ}$	0.9	1.0	1.45	$R_{ZQ} / 6$	1,2,3
		$V_{OMdc} = 0.5 \times V_{DDQ}$	0.9	1.0	1.15	$R_{ZQ} / 6$	1,2,3
		$V_{OHdc} = 0.8 \times V_{DDQ}$	0.6	1.0	1.15	$R_{ZQ} / 6$	1,2,3
Mismatch between pull-up and pull-down, $MM_{PuPd}$	$V_{OMdc} = 0.5 \times V_{DDQ}$	-10		+10	%	1,2,4	
<b>DDR3</b>							
34 ohms	RON34Pd	$V_{OLdc} = 0.2 \times V_{DDQ}$	0.6	1.0	1.1	$R_{ZQ} / 7$	1,2,3
		$V_{OMdc} = 0.5 \times V_{DDQ}$	0.9	1.0	1.1	$R_{ZQ} / 7$	1,2,3
		$V_{OHdc} = 0.8 \times V_{DDQ}$	0.9	1.0	1.4	$R_{ZQ} / 7$	1,2,3
	RON34Pu	$V_{OLdc} = 0.2 \times V_{DDQ}$	0.9	1.0	1.4	$R_{ZQ} / 7$	1,2,3
		$V_{OMdc} = 0.5 \times V_{DDQ}$	0.9	1.0	1.1	$R_{ZQ} / 7$	1,2,3
		$V_{OHdc} = 0.8 \times V_{DDQ}$	0.6	1.0	1.1	$R_{ZQ} / 7$	1,2,3
40 ohms	RON40Pd	$V_{OLdc} = 0.2 \times V_{DDQ}$	0.6	1.0	1.1	$R_{ZQ} / 6$	1,2,3
		$V_{OMdc} = 0.5 \times V_{DDQ}$	0.9	1.0	1.1	$R_{ZQ} / 6$	1,2,3
		$V_{OHdc} = 0.8 \times V_{DDQ}$	0.9	1.0	1.4	$R_{ZQ} / 6$	1,2,3
	RON40Pu	$V_{OLdc} = 0.2 \times V_{DDQ}$	0.9	1.0	1.4	$R_{ZQ} / 6$	1,2,3
		$V_{OMdc} = 0.5 \times V_{DDQ}$	0.9	1.0	1.1	$R_{ZQ} / 6$	1,2,3
		$V_{OHdc} = 0.8 \times V_{DDQ}$	0.6	1.0	1.1	$R_{ZQ} / 6$	1,2,3
Mismatch between pull-up and pull-down, $MM_{PuPd}$	$V_{OMdc} = 0.5 \times V_{DDQ}$	-10		+10	%	1,2,4	



NOTE 1. The tolerance limits are specified after calibration with stable voltage and temperature. For the behavior of the tolerance limits if temperature or voltage changes after calibration, see following section on voltage and temperature sensitivity.

NOTE 2. The tolerance limits are specified under the condition that VDDQ = VDD and that VSSQ = VSS.

NOTE 3. Pull-down and pull-up output driver impedances are recommended to be calibrated at 0.5 x VDDQ. Other calibration schemes may be used to achieve the linearity spec shown above, e.g. calibration at 0.2 x VDDQ and 0.8 x VDDQ.

NOTE 4. Measurement definition for mismatch between pull-up and pull-down, MMPuPd:

Measure RONPu and RONPd, both at 0.5 \* VDDQ:

$$MM_{PuPd} = \frac{Ron_{Pu} - Ron_{Pd}}{Ron_{Nom}} \times 100$$

## Output Driver Temperature and Voltage sensitivity

If temperature and/or voltage after calibration, the tolerance limits widen according to the following table.

Delta T = T - T(@calibration); Delta V = VDDQ - VDDQ(@calibration); VDD = VDDQ

Note: dRONdT and dRONdV are not subject to production test but are verified by design and characterization.

## Output Driver Sensitivity Definition

Items	Min.	Max.	Unit
RONPU@VOHdc	$0.6 - dR_{ONdTH} * \Delta T_I - dR_{ONdVH} * \Delta V_I$	$1.1 + dR_{ONdTH} * \Delta T_I - dR_{ONdVH} * \Delta V_I$	R <sub>ZQ</sub> /7
RON@VOMdc	$0.9 - dR_{ONdTM} * \Delta T_I - dR_{ONdVM} * \Delta V_I$	$1.1 + dR_{ONdTM} * \Delta T_I - dR_{ONdVM} * \Delta V_I$	R <sub>ZQ</sub> /7
RONPD@VOLdc	$0.6 - dR_{ONdTL} * \Delta T_I - dR_{ONdVL} * \Delta V_I$	$1.1 + dR_{ONdTL} * \Delta T_I - dR_{ONdVL} * \Delta V_I$	R <sub>ZQ</sub> /7

## Output Driver Voltage and Temperature Sensitivity

Speed Bin	DDR3(L)-1066/1333		DDR3(L)-1600		Unit
	Min.	Max.	Min.	Max.	
dRONdTM	0	1.5	0	1.5	%/°C
dRONdVM	0	0.15	0	0.13	%/mV
dRONdTL	0	1.5	0	1.5	%/°C
dRONdVL	0	0.15	0	0.13	%/mV
dRONdTH	0	1.5	0	1.5	%/°C
dRONdVH	0	0.15	0	0.13	%/mV

Note: These parameters may not be subject to production test. They are verified by design and characterization.

## On-Die Termination (ODT) Levels and I-V Characteristics

On-Die Termination effective resistance  $R_{TT}$  is defined by bits A9, A6, and A2 of the MR1 Register.

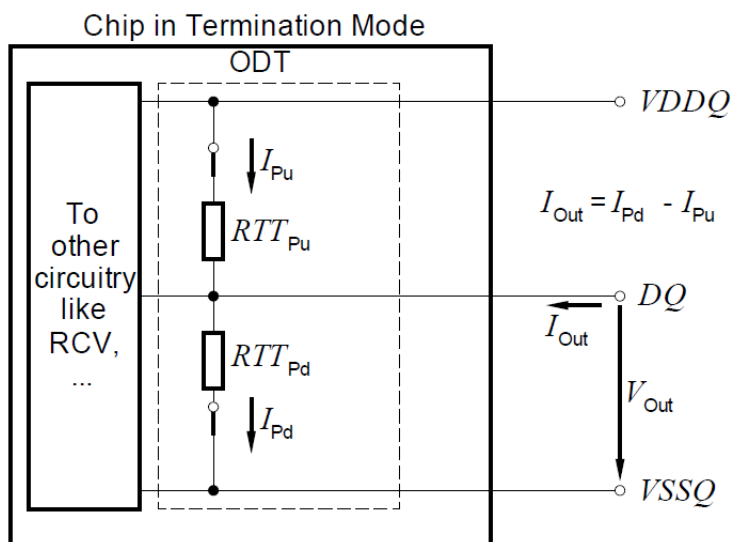
ODT is applied to the DQ, DM, DQS/ $\overline{DQS}$ , and TDQS/ $\overline{TDQS}$  (x8 devices only) pins.

A functional representation of the on-die termination is shown in the following figure. The individual pull-up and pull-down resistors ( $R_{TT_{Pu}}$  and  $R_{TT_{Pd}}$ ) are defined as follows:

$$R_{TT_{Pu}} = \frac{V_{DDQ} - V_{Out}}{|I_{Out}|} \quad \text{under the condition that } R_{TT_{Pd}} \text{ is turned off} \quad (3)$$

$$R_{TT_{Pd}} = \frac{V_{Out}}{|I_{Out}|} \quad \text{under the condition that } R_{TT_{Pu}} \text{ is turned off} \quad (4)$$

## On-Die Termination: Definition of Voltages and Currents



## ODT DC Electrical Characteristics

The following table provides an overview of the ODT DC electrical characteristics. The values for  $RTT_{60Pd120}$ ,  $RTT_{60Pu120}$ ,  $RTT_{120Pd240}$ ,  $RTT_{120Pu240}$ ,  $RTT_{40Pd80}$ ,  $RTT_{40Pu80}$ ,  $RTT_{30Pd60}$ ,  $RTT_{30Pu60}$ ,  $RTT_{20Pd40}$ ,  $RTT_{20Pu40}$  are not specification requirements, but can be used as design guide lines:

### ODT DC Electrical Characteristics, assuming $R_{ZQ} = 240\text{ohms} \pm 1\%$ entire operating temperature range; after proper ZQ calibration(DDR3L)

MR1 A9,A6,A2	RTT	Resistor	Vout	Min.	Nom.	Max.	Unit	Notes
<b>DDR3L</b>								
0,1,0	120Ω	RTT120Pd240	$VOL_{dc} = 0.2 \times VDDQ$	0.6	1	1.15	$R_{ZQ}$	1,2,3,4
			$0.5 \times VDDQ$	0.9	1	1.15	$R_{ZQ}$	1,2,3,4
			$VOH_{dc} = 0.8 \times VDDQ$	0.9	1	1.45	$R_{ZQ}$	1,2,3,4
		RTT120Pu240	$VOL_{dc} = 0.2 \times VDDQ$	0.9	1	1.45	$R_{ZQ}$	1,2,3,4
			$0.5 \times VDDQ$	0.9	1	1.15	$R_{ZQ}$	1,2,3,4
			$VOH_{dc} = 0.8 \times VDDQ$	0.6	1	1.15	$R_{ZQ}$	1,2,3,4
		RTT120	VIL(ac) to VIH(ac)	0.9	1	1.65	$R_{ZQ}/2$	1,2,5
0, 0, 1	60Ω	RTT60Pd120	$VOL_{dc} = 0.2 \times VDDQ$	0.6	1	1.15	$R_{ZQ}/2$	1,2,3,4
			$0.5 \times VDDQ$	0.9	1	1.15	$R_{ZQ}/2$	1,2,3,4
			$VOH_{dc} = 0.8 \times VDDQ$	0.9	1	1.45	$R_{ZQ}/2$	1,2,3,4
		RTT60Pu120	$VOL_{dc} = 0.2 \times VDDQ$	0.9	1	1.45	$R_{ZQ}/2$	1,2,3,4
			$0.5 \times VDDQ$	0.9	1	1.15	$R_{ZQ}/2$	1,2,3,4
			$VOH_{dc} = 0.8 \times VDDQ$	0.6	1	1.15	$R_{ZQ}/2$	1,2,3,4
		RTT60	VIL(ac) to VIH(ac)	0.9	1	1.65	$R_{ZQ}/4$	1,2,5
0, 1, 1	40Ω	RTT40Pd80	$VOL_{dc} = 0.2 \times VDDQ$	0.6	1	1.15	$R_{ZQ}/3$	1,2,3,4
			$0.5 \times VDDQ$	0.9	1	1.15	$R_{ZQ}/3$	1,2,3,4
			$VOH_{dc} = 0.8 \times VDDQ$	0.9	1	1.45	$R_{ZQ}/3$	1,2,3,4
		RTT40Pu80	$VOL_{dc} = 0.2 \times VDDQ$	0.9	1	1.45	$R_{ZQ}/3$	1,2,3,4
			$0.5 \times VDDQ$	0.9	1	1.15	$R_{ZQ}/3$	1,2,3,4
			$VOH_{dc} = 0.8 \times VDDQ$	0.6	1	1.15	$R_{ZQ}/3$	1,2,3,4
		RTT40	VIL(ac) to VIH(ac)	0.9	1	1.65	$R_{ZQ}/6$	1,2,5
1, 0, 1	30Ω	RTT30Pd60	$VOL_{dc} = 0.2 \times VDDQ$	0.6	1	1.15	$R_{ZQ}/4$	1,2,3,4
			$0.5 \times VDDQ$	0.9	1	1.15	$R_{ZQ}/4$	1,2,3,4
			$VOH_{dc} = 0.8 \times VDDQ$	0.9	1	1.45	$R_{ZQ}/4$	1,2,3,4
		RTT30Pu60	$VOL_{dc} = 0.2 \times VDDQ$	0.9	1	1.45	$R_{ZQ}/4$	1,2,3,4
			$0.5 \times VDDQ$	0.9	1	1.15	$R_{ZQ}/4$	1,2,3,4
			$VOH_{dc} = 0.8 \times VDDQ$	0.6	1	1.15	$R_{ZQ}/4$	1,2,3,4
		RTT30	VIL(ac) to VIH(ac)	0.9	1	1.65	$R_{ZQ}/8$	1,2,5
1, 0, 0	20Ω	RTT20Pd40	$VOL_{dc} = 0.2 \times VDDQ$	0.6	1	1.15	$R_{ZQ}/6$	1,2,3,4
			$0.5 \times VDDQ$	0.9	1	1.15	$R_{ZQ}/6$	1,2,3,4
			$VOH_{dc} = 0.8 \times VDDQ$	0.9	1	1.45	$R_{ZQ}/6$	1,2,3,4
		RTT20Pu40	$VOL_{dc} = 0.2 \times VDDQ$	0.9	1	1.45	$R_{ZQ}/6$	1,2,3,4
			$0.5 \times VDDQ$	0.9	1	1.15	$R_{ZQ}/6$	1,2,3,4
			$VOH_{dc} = 0.8 \times VDDQ$	0.6	1	1.15	$R_{ZQ}/6$	1,2,3,4
		RTT20	VIL(ac) to VIH(ac)	0.9	1	1.65	$R_{ZQ}/12$	1,2,5
Deviation of VM w.r.t. $VDDQ/2$ , DVM				-5		+5	%	1,2,5,6

### ODT DC Electrical Characteristics, assuming $R_{ZQ} = 240\text{ohms} \pm 1\%$ entire operating

**temperature range; after proper ZQ calibration (DDR3)**

MR1 A9,A6,A2	RTT	Resistor	Vout	Min.	Nom.	Max.	Unit	Notes		
<b>DDR3</b>										
0,1,0	120Ω	RTT120Pd240	$VOLdc = 0.2 \times VDDQ$	0.6	1	1.1	$R_{ZQ}$	1,2,3,4		
			$0.5 \times VDDQ$	0.9	1	1.1	$R_{ZQ}$	1,2,3,4		
			$VOHdc = 0.8 \times VDDQ$	0.9	1	1.4	$R_{ZQ}$	1,2,3,4		
		RTT120Pu240	$VOLdc = 0.2 \times VDDQ$	0.9	1	1.4	$R_{ZQ}$	1,2,3,4		
			$0.5 \times VDDQ$	0.9	1	1.1	$R_{ZQ}$	1,2,3,4		
			$VOHdc = 0.8 \times VDDQ$	0.6	1	1.1	$R_{ZQ}$	1,2,3,4		
RTT120	$VIL(ac) \text{ to } VIH(ac)$	0.9	1	1.6	$R_{ZQ}/2$	1,2,5				
0,0,1	60Ω	RTT60Pd120	$VOLdc = 0.2 \times VDDQ$	0.6	1	1.1	$R_{ZQ}/2$	1,2,3,4		
			$0.5 \times VDDQ$	0.9	1	1.1	$R_{ZQ}/2$	1,2,3,4		
			$VOHdc = 0.8 \times VDDQ$	0.9	1	1.4	$R_{ZQ}/2$	1,2,3,4		
		RTT60Pu120	$VOLdc = 0.2 \times VDDQ$	0.9	1	1.4	$R_{ZQ}/2$	1,2,3,4		
			$0.5 \times VDDQ$	0.9	1	1.1	$R_{ZQ}/2$	1,2,3,4		
			$VOHdc = 0.8 \times VDDQ$	0.6	1	1.1	$R_{ZQ}/2$	1,2,3,4		
		RTT60	$VIL(ac) \text{ to } VIH(ac)$	0.9	1	1.6	$R_{ZQ}/4$	1,2,5		
		0,1,1	40Ω	RTT40Pd80	$VOLdc = 0.2 \times VDDQ$	0.6	1	1.1	$R_{ZQ}/3$	1,2,3,4
					$0.5 \times VDDQ$	0.9	1	1.1	$R_{ZQ}/3$	1,2,3,4
$VOHdc = 0.8 \times VDDQ$	0.9				1	1.4	$R_{ZQ}/3$	1,2,3,4		
RTT40Pu80	$VOLdc = 0.2 \times VDDQ$			0.9	1	1.4	$R_{ZQ}/3$	1,2,3,4		
	$0.5 \times VDDQ$			0.9	1	1.1	$R_{ZQ}/3$	1,2,3,4		
	$VOHdc = 0.8 \times VDDQ$			0.6	1	1.1	$R_{ZQ}/3$	1,2,3,4		
RTT40	$VIL(ac) \text{ to } VIH(ac)$	0.9	1	1.6	$R_{ZQ}/6$	1,2,5				
1,0,1	30Ω	RTT30Pd60	$VOLdc = 0.2 \times VDDQ$	0.6	1	1.1	$R_{ZQ}/4$	1,2,3,4		
			$0.5 \times VDDQ$	0.9	1	1.1	$R_{ZQ}/4$	1,2,3,4		
			$VOHdc = 0.8 \times VDDQ$	0.9	1	1.4	$R_{ZQ}/4$	1,2,3,4		
		RTT30Pu60	$VOLdc = 0.2 \times VDDQ$	0.9	1	1.4	$R_{ZQ}/4$	1,2,3,4		
			$0.5 \times VDDQ$	0.9	1	1.1	$R_{ZQ}/4$	1,2,3,4		
			$VOHdc = 0.8 \times VDDQ$	0.6	1	1.1	$R_{ZQ}/4$	1,2,3,4		
RTT30	$VIL(ac) \text{ to } VIH(ac)$	0.9	1	1.6	$R_{ZQ}/8$	1,2,5				
1,0,0	20Ω	RTT20Pd40	$VOLdc = 0.2 \times VDDQ$	0.6	1	1.1	$R_{ZQ}/6$	1,2,3,4		
			$0.5 \times VDDQ$	0.9	1	1.1	$R_{ZQ}/6$	1,2,3,4		
			$VOHdc = 0.8 \times VDDQ$	0.9	1	1.4	$R_{ZQ}/6$	1,2,3,4		
		RTT20Pu40	$VOLdc = 0.2 \times VDDQ$	0.9	1	1.4	$R_{ZQ}/6$	1,2,3,4		
			$0.5 \times VDDQ$	0.9	1	1.1	$R_{ZQ}/6$	1,2,3,4		
			$VOHdc = 0.8 \times VDDQ$	0.6	1	1.1	$R_{ZQ}/6$	1,2,3,4		
RTT20	$VIL(ac) \text{ to } VIH(ac)$	0.9	1	1.6	$R_{ZQ}/12$	1,2,5				
Deviation of VM w.r.t. $VDDQ/2$ , DVM				-5		+5	%	1,2,5,6		

NOTE 1. The tolerance limits are specified after calibration with stable voltage and temperature. For the behavior of the tolerance limits if temperature or voltage changes after calibration, see following section on voltage and temperature sensitivity.

NOTE 2. The tolerance limits are specified under the condition that  $VDDQ = VDD$  and that  $VSSQ = VSS$ .

NOTE 3. Pull-down and pull-up ODT resistors are recommended to be calibrated at  $0.5 \times VDDQ$ . Other calibration schemes may be used to achieve the linearity spec shown above, e.g. calibration at  $0.2 \times VDDQ$  and  $0.8 \times VDDQ$ .

NOTE 4. Not a specification requirement, but a design guide line.

NOTE 5. Measurement definition for  $RTT$ :

Apply  $VIH(ac)$  to pin under test and measure current  $I(VIH(ac))$ , then apply  $VIL(ac)$  to pin under test and measure current  $I(VIL(ac))$  respectively.

$$RTT = \frac{VIH(ac) - VIL(ac)}{I(VIH(ac)) - I(VIL(ac))}$$

NOTE 6. Measurement definition for VM and DVM:

Measure voltage (VM) at test pin (midpoint) with no load:

$$\Delta VM = \left( \frac{2 \times VM}{VDDQ} - 1 \right) \times 100$$

## ODT Temperature and Voltage sensitivity

If temperature and/or voltage after calibration, the tolerance limits widen according to the following table.

Delta T = T - T(@calibration); Delta V = VDDQ - VDDQ(@calibration); VDD = VDDQ

## ODT Sensitivity Definition

	Min.	Max.	Unit
RTT	$0.9 - dR_{TTdT} * I_{\Delta T} - dR_{TTdV} * I_{\Delta V}$	$1.6 + dR_{TTdT} * I_{\Delta T} + dR_{TTdV} * I_{\Delta V}$	RZQ/2,4,6,8,12

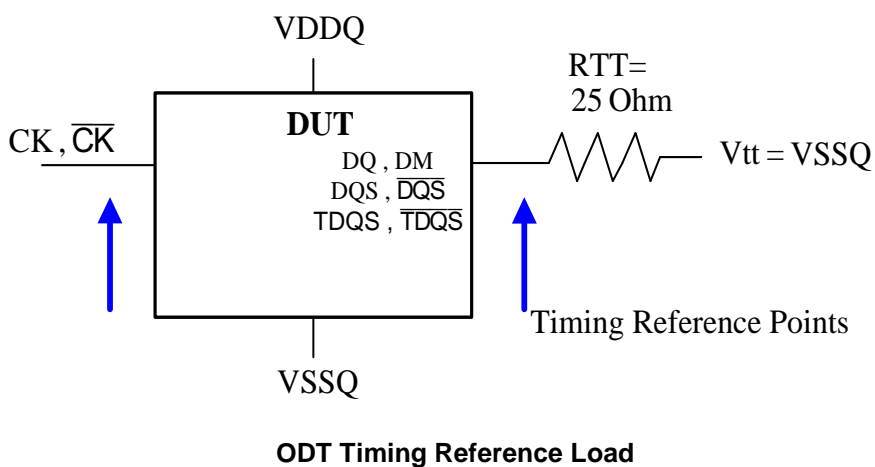
## ODT Voltage and Temperature Sensitivity

	Min.	Max.	Unit
dRTTdT	0	1.5	%/°C
dRTTdV	0	0.15	%/mV

Note: These parameters may not be subject to production test. They are verified by design and characterization.

## Test Load for ODT Timings

Different than for timing measurements, the reference load for ODT timings is defined in the following figure.



## ODT Timing Definitions

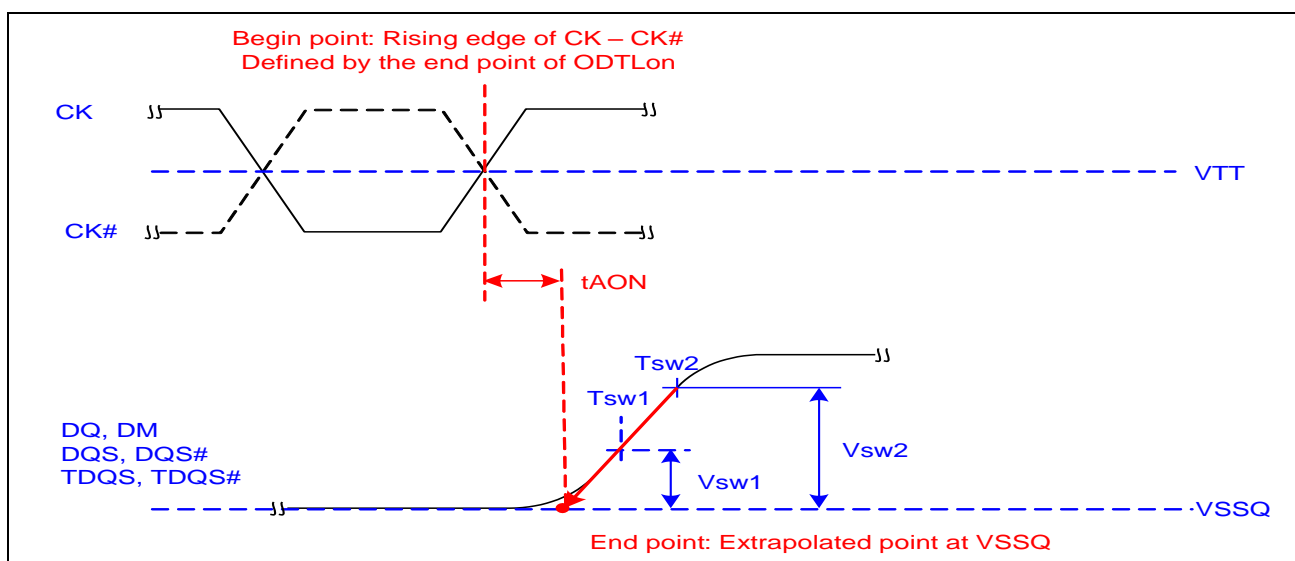
Definitions for  $t_{AON}$ ,  $t_{AONPD}$ ,  $t_{AOF}$ ,  $t_{AOFPD}$ , and  $t_{ADC}$  are provided in the following table and subsequent figures.

Symbol	Begin Point Definition	End Point Definition
$t_{AON}$	Rising edge of CK - CK defined by the end point of ODTLon	Extrapolated point at VSSQ
$t_{AONPD}$	Rising edge of CK - CK with ODT being first registered high	Extrapolated point at VSSQ
$t_{AOF}$	Rising edge of CK - CK defined by the end point of ODTLoff	End point: Extrapolated point at $VR_{TT\_Nom}$
$t_{AOFPD}$	Rising edge of CK - CK with ODT being first registered low	End point: Extrapolated point at $VR_{TT\_Nom}$
$t_{ADC}$	Rising edge of CK - CK defined by the end point of ODTLcwn, ODTLcwn4, or ODTLcwn8	End point: Extrapolated point at $VR_{TT\_Wr}$ and $VR_{TT\_Nom}$ respectively

## Reference Settings for ODT Timing Measurements

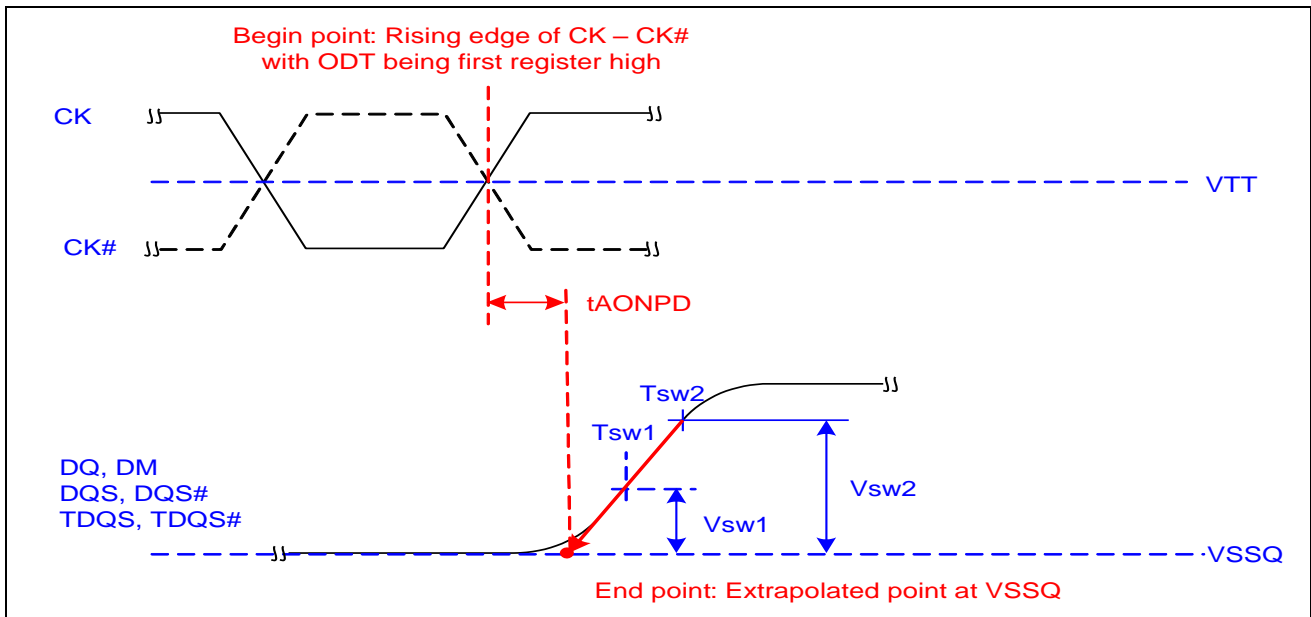
Parameter	RTT_Nom	RTT_Wr	DDR3		DDR3L	
			VSW1[V]	VSW2[V]	VSW1[V]	VSW2[V]
$t_{AON}$	RZQ/4	NA	0.05	0.10	0.05	0.10
	RZQ/12	NA	0.10	0.20	0.10	0.20
$t_{AONPD}$	RZQ/4	NA	0.05	0.10	0.05	0.10
	RZQ/12	NA	0.10	0.20	0.10	0.20
$t_{AOF}$	RZQ/4	NA	0.05	0.10	0.05	0.10
	RZQ/12	NA	0.10	0.20	0.10	0.20
$t_{AOFPD}$	RZQ/4	NA	0.05	0.10	0.05	0.10
	RZQ/12	NA	0.10	0.20	0.10	0.20
$t_{ADC}$	RZQ/12	RZQ/2	0.20	0.30	0.20	0.25

## Definition of $t_{AON}$

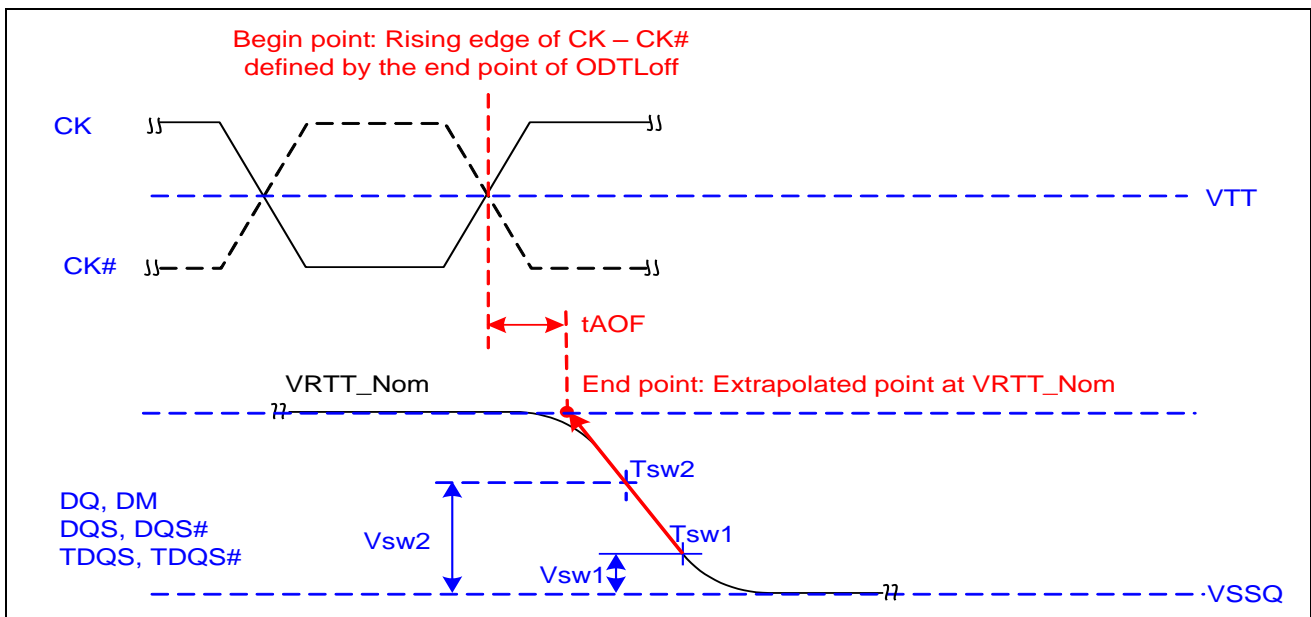




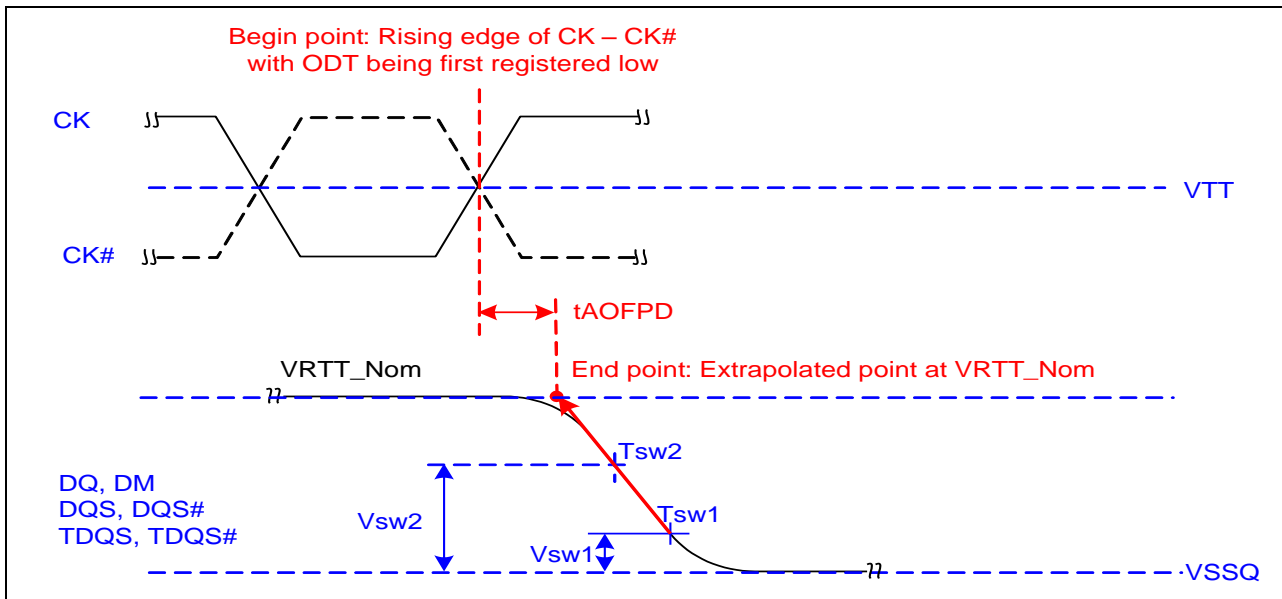
### Definition of $t_{AONPD}$



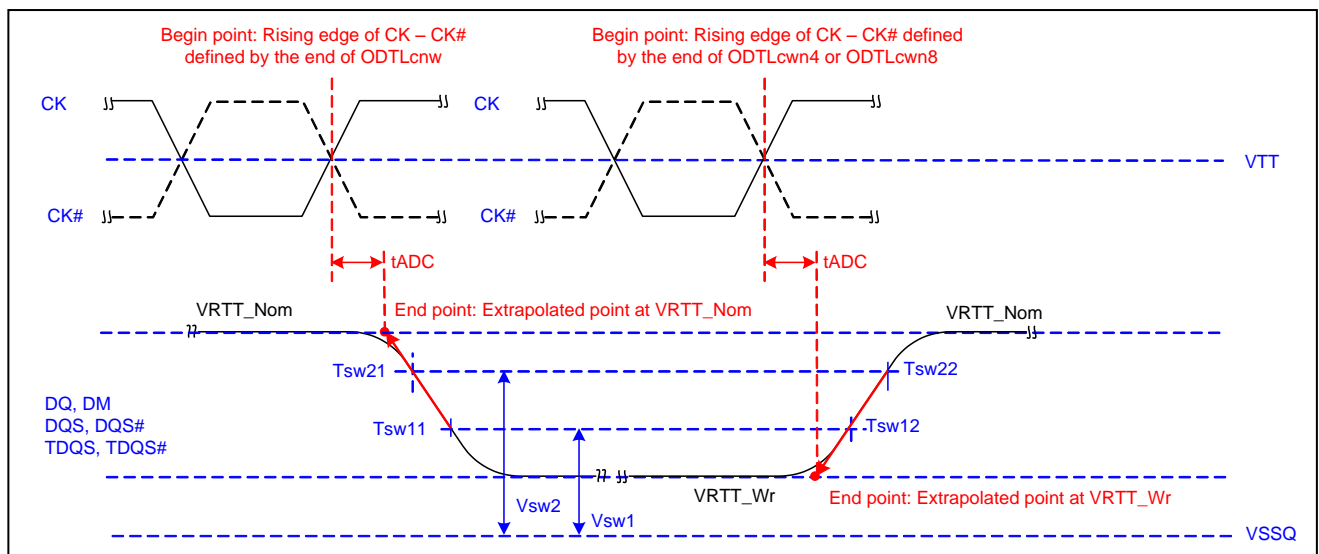
### Definition of $t_{AOF}$



### Definition of $t_{AOPFD}$



### Definition of $t_{ADC}$



**Input/Output Capacitance**

Parameter	Symbol	800		1066		1333		1600		1866		2133		Unit	Notes
		Min	Max	Min	Max	Min	Max	Min	Max	Min	Max	Min	Max		
Input/output capacitance (DQ, DM, DQS, $\overline{DQS}$ , TDQS, $\overline{TDQS}$ )	CIO (DDR3)	1.2	3.0	1.2	2.7	1.2	2.5	1.2	2.3	1.2	2.2	1.2	2.1	pF	1,2,3
	CIO (DDR3L)	-	-	1.2	2.5	1.2	2.3	1.2	2.2	1.2	2.1	-	-	pF	1,2,3
Input capacitance, CK and $\overline{CK}$	CCK	0.6	1.6	0.6	1.6	0.6	1.4	0.6	1.4	0.6	1.3	0.6	1.3	pF	2,3
Input capacitance delta, CK and $\overline{CK}$	CDCK	0	0.15	0	0.15	0	0.15	0	0.15	0	0.15	0	0.15	pF	2,3,4
Input/output capacitance delta DQS and $\overline{DQS}$	CDDQS	0	0.15	0	0.15	0	0.15	0	0.15	0	0.15	0	0.15	pF	2,3,5
Input capacitance, (CTRL, ADD, CMD input-only pins)	CI (DDR3)	0.55	1.4	0.55	1.35	0.55	1.3	0.55	1.3	0.55	1.2	0.55	1.2	pF	2,3,6
	CI (DDR3L)	-	-	0.55	1.3	0.55	1.3	0.55	1.2	0.55	1.2	-	-	pF	2,3,6
Input capacitance delta, (All CTRL input-only pins)	CDI_CTRL	-0.5	0.3	-0.5	0.3	-0.4	0.2	-0.4	0.2	-0.4	0.2	-0.4	0.2	pF	2,3,7,8
Input capacitance delta, (All ADD/CMD input-only pins)	CDI_ADD_ CMD	-0.5	0.5	-0.5	0.5	-0.4	0.4	-0.4	0.4	-0.4	0.4	-0.4	0.4	pF	2,3,9, 10
Input/output capacitance delta, DQ, DM, DQS, $\overline{DQS}$ , TDQS, $\overline{TDQS}$	CDIO	-0.5	0.3	-0.5	0.3	-0.5	0.3	-0.5	0.3	-0.5	0.3	-0.5	0.3	pF	2,3,11
Input/output capacitance of ZQ pin	CZQ	-	3	-	3	-	3	-	3	-	3	-	3	pF	2,3,12

NOTE 1. Although the DM, TDQS and  $\overline{TDQS}$  pins have different functions, the loading matches DQ and DQS

NOTE 2. This parameter is not subject to production test. It is verified by design and characterization. The capacitance is measured according to JEP147("PROCEDURE FOR MEASURING INPUT CAPACITANCE USING A VECTOR NETWORK ANALYZER(VNA)") with VDD, VDDQ, VSS, VSSQ applied and all other pins floating (except the pin under test, CKE,  $\overline{RESET}$  and ODT as necessary). VDD=VDDQ=1.5V, VBIAS=VDD/2 and ondie termination off.

NOTE 3. This parameter applies to monolithic devices only; stacked/dual-die devices are not covered here

NOTE 4. Absolute value of CCK- $\overline{CCK}$

NOTE 5. Absolute value of CIO(DQS)-CIO( $\overline{DQS}$ )

NOTE 6. CI applies to ODT,  $\overline{CS}$ , CKE, A0-A15, BA0-BA2,  $\overline{RAS}$ ,  $\overline{CAS}$ ,  $\overline{WE}$ .

NOTE 7. CDI\_CTRL applies to ODT,  $\overline{CS}$  and CKE

NOTE 8. CDI\_CTRL=CI(CTRL)-0.5\*(CI(CLK)+CI( $\overline{CLK}$ ))

NOTE 9. CDI\_ADD\_CMD applies to A0-A15, BA0-BA2,  $\overline{RAS}$ ,  $\overline{CAS}$  and  $\overline{WE}$

NOTE 10. CDI\_ADD\_CMD=CI(ADD\_CMD) - 0.5\*(CI(CLK)+CI( $\overline{CLK}$ ))

NOTE 11. CDIO=CIO(DQ,DM) - 0.5\*(CIO(DQS)+CIO( $\overline{DQS}$ ))

NOTE 12. Maximum external load capacitance on ZQ pin: 5 pF.

## DDR3L IDD Currents

Symbol	Parameter/Condition	DDR3L 1600 11-11-11		DDR3L 1866 13-13-13		Unit
		X8	X16	X8	X16	
IDD0	<b>Operating Current 0</b> One Bank Activate-> Precharge	28	32	29	32	mA
IDD1	<b>Operating Current 1</b> One Bank Activate-> Read-> Precharge	43	45	44	46	mA
IDD2P0	<b>Precharge Power-Down Current</b> Slow Exit - MR0 bit A12 = 0	10	12	11	12	mA
IDD2P1	<b>Precharge Power-Down Current</b> Fast Exit - MR0 bit A12 = 1	11	12	11	12	mA
IDD2Q	<b>Precharge Quiet Standby Current</b>	15	15	15	15	mA
IDD2N	<b>Precharge Standby Current</b>	16	17	17	17	mA
IDD2NT	<b>Precharge Standby ODT Current</b>	20	22	22	23	mA
IDD3N	<b>Active Standby Current</b>	20	22	21	23	mA
IDD3P	<b>Active Power-Down Current</b> Always Fast Exit	15	17	15	17	mA
IDD4R	<b>Operating Current Burst Read</b>	90	110	90	120	mA
IDD4W	<b>Operating Current Burst Write</b>	90	120	90	130	mA
IDD5B	<b>Burst Refresh Current</b>	152	156	152	156	mA
IDD6TC <sup>1</sup> (RS-DIB)	<b>Self-Refresh Current</b> Room Temperature Range	3.7	3.7	3.7	3.7	mA
IDD6 <sup>2</sup>	<b>Self-Refresh Current</b> Normal	15	15	15	15	mA
IDD6ET <sup>3</sup>	<b>Self-Refresh Current</b> Extended	23	23	23	23	mA
IDD7	<b>All Bank Interleave Read Current</b>	130	145	146	155	mA
IDD8	<b>Reset Low Current</b>	12	14	13	14	mA

NOTE 1 IDD6TC (RS-DIB):  $T_C \leq$  Room Temperature; SRT is disabled, ASR is enabled. Value is maximum.

NOTE 2 IDD6: SRT is 'Normal', ASR is disabled. Value is maximum.

- Commercial Grade = 0°C~85°C
- Quasi Industrial Grade (-T) = -40°C~85°C
- Industrial Grade (-I) = -40°C~85°C

NOTE 3 IDD6ET: SRT is 'Extended', ASR is disabled. Value is maximum.

- Commercial Grade = 0°C~95°C
- Quasi Industrial Grade (-T) = -40°C~95°C
- Industrial Grade (-I) = -40°C~95°C

NOTE 4 IDD may will derating when above 95°C .

## DDR3 IDD Currents

IDD	Parameter/Condition	DDR3 1600		DDR3 1866		DDR3 2133		Unit
		11-11-11		13-13-13		14-14-14		
		X8	X16	X8	X16	X8	X16	
IDD0	<b>Operating Current 0</b> One Bank Activate -> Precharge	28	32	29	32	30	32	mA
IDD1	<b>Operating Current 1</b> One Bank Activate-> Read-> Precharge	43	45	44	46	45	47	mA
IDD2P0(SLOW)	<b>Precharge Power-Down Current</b> Slow Exit - MR0 bit A12 = 0	10	12	11	12	12	12	mA
IDD2P1(FAST)	<b>Precharge Power-Down Current</b> Fast Exit - MR0 bit A12 = 1	11	12	11	12	11	12	mA
IDD2Q	<b>Precharge Quiet Standby Current</b>	15	15	15	15	15	15	mA
IDD2N	<b>Precharge Standby Current</b>	16	17	17	17	18	17	mA
IDD2NT	<b>Precharge Standby ODT Current</b>	26	22	28	23	30	25	mA
IDD3N	<b>Active Standby Current</b>	20	22	21	23	22	25	mA
IDD3P	<b>Active Power-Down Current</b> Always Fast Exit	15	17	15	17	15	17	mA
IDD4R	<b>Operating Current Burst Read</b>	90	110	90	120	100	130	mA
IDD4W	<b>Operating Current Burst Write</b>	90	120	90	130	100	140	mA
IDD5B	<b>Burst Refresh Current</b>	152	156	152	156	152	156	mA
IDD6 <sup>1</sup>	<b>Self-Refresh Current</b> Normal	15	15	15	15	15	15	mA
IDD6ET <sup>2</sup>	<b>Self-Refresh Current</b> Extended	23	23	23	23	23	23	mA
IDD7	<b>All Bank Interleave Read Current</b>	130	145	146	155	150	165	mA
IDD8	<b>Reset Low Current</b>	12	14	13	14	14	14	mA

NOTE 1 IDD6: SRT is 'Normal', ASR is disabled. Value is maximum.

- Commercial Grade = 0°C~85°C
- Quasi Industrial Grade (-T) = -40°C~85°C
- Industrial Grade (-I) = -40°C~85°C

NOTE 2 IDD6ET: SRT is 'Extended', ASR is disabled. Value is maximum.

- Commercial Grade = 0°C~95°C
- Quasi Industrial Grade (-T) = -40°C~95°C
- Industrial Grade (-I) = -40°C~95°C

NOTE 3 IDD may will derating when above 95°C

**IDD Measurement Conditions**

Symbol	Parameter/Condition
IDD0	<p><b>Operating One Bank Active-Precharge Current</b></p> <p><b>CKE:</b> High; <b>External clock:</b> On;</p> <p><b>tCK, nRC, nRAS, CL:</b> see the table of Timings used for IDD and IDDQ;</p> <p><b>BL:</b> 8(1); <b>AL:</b> 0;</p> <p><b><math>\overline{CS}</math>:</b> High between ACT and PRE;</p> <p><b>Command, Address, Bank Address Inputs:</b> partially toggling;</p> <p><b>Data IO:</b> MID-LEVEL;</p> <p><b>DM:</b> stable at 0;</p> <p><b>Bank Activity:</b> Cycling with one bank active at a time: 0,0,1,1,2,2,...;</p> <p><b>Output Buffer and RTT:</b> Enabled in Mode Registers(2);</p> <p><b>ODT Signal:</b> stable at 0;</p>
IDD1	<p><b>Operating One Bank Active-Read-Precharge Current</b></p> <p><b>CKE:</b> High; <b>External clock:</b> On;</p> <p><b>tCK, nRC, nRAS, nRCD, CL:</b> see see the table of Timings used for IDD and IDDQ;</p> <p><b>BL:</b> 8(1,7); <b>AL:</b> 0;</p> <p><b><math>\overline{CS}</math>:</b> High between ACT, RD and PRE;</p> <p><b>Command, Address, Bank Address Inputs, Data IO:</b> partially toggling;</p> <p><b>Bank Activity:</b> Cycling with one bank active at a time: 0,0,1,1,2,2,...;</p> <p><b>Output Buffer and RTT:</b> Enabled in Mode Registers(2);</p> <p><b>ODT Signal:</b> stable at 0;</p>
IDD2N	<p><b>Precharge Standby Current</b></p> <p><b>CKE:</b> High; <b>External clock:</b> On;</p> <p><b>tCK, CL:</b> see the table of Timings used for IDD and IDDQ;</p> <p><b>BL:</b> 8(1); <b>AL:</b> 0; <b><math>\overline{CS}</math>:</b> stable at 1;</p> <p><b>Command, Address, Bank Address Inputs:</b> partially toggling;</p> <p><b>Data IO:</b> MID-LEVEL;</p> <p><b>DM:</b> stable at 0;</p> <p><b>Bank Activity:</b> all banks closed;</p> <p><b>Output Buffer and RTT:</b> Enabled in Mode Registers(2);</p> <p><b>ODT Signal:</b> stable at 0;</p>
IDD2P(0)	<p><b>Precharge Power-Down Current Slow Exit</b></p> <p><b>CKE:</b> Low; <b>External clock:</b> On;</p> <p><b>tCK, CL:</b> see the table of Timings used for IDD and IDDQ;</p> <p><b>BL:</b> 8(1); <b>AL:</b> 0;</p> <p><b><math>\overline{CS}</math>:</b> stable at 1;</p> <p><b>Command, Address, Bank Address Inputs:</b> stable at 0;</p>

	<p><b>Data IO:</b> MID-LEVEL;</p> <p><b>DM:</b> stable at 0;</p> <p><b>Bank Activity:</b> all banks closed;</p> <p><b>Output Buffer and RTT:</b> Enabled in Mode Registers(2);</p> <p><b>ODT Signal:</b> stable at 0;</p> <p><b>Precharge Power Down Mode:</b> Slow Exit(3)</p>
IDD2P(1)	<p><b>Precharge Power-Down Current Fast Exit</b></p> <p><b>CKE:</b> Low; <b>External clock:</b> On;</p> <p><b>tCK, CL:</b> see the table of Timings used for IDD and IDDQ;</p> <p><b>BL:</b> 8(1); <b>AL:</b> 0;</p> <p><b><math>\overline{CS}</math>:</b> stable at 1;</p> <p><b>Command, Address, Bank Address Inputs:</b> stable at 0;</p> <p><b>Data IO:</b> MID-LEVEL;</p> <p><b>DM:</b> stable at 0;</p> <p><b>Bank Activity:</b> all banks closed;</p> <p><b>Output Buffer and RTT:</b> Enabled in Mode Registers(2);</p> <p><b>ODT Signal:</b> stable at 0;</p> <p><b>Precharge Power Down Mode:</b> Fast Exit(3)</p>
IDD2Q	<p><b>Precharge Quiet Standby Current</b></p> <p><b>CKE:</b> High; <b>External clock:</b> On;</p> <p><b>tCK, CL:</b> see the table of Timings used for IDD and IDDQ;</p> <p><b>BL:</b> 8(1); <b>AL:</b> 0;</p> <p><b><math>\overline{CS}</math>:</b> stable at 1;</p> <p><b>Command, Address, Bank Address Inputs:</b> stable at 0;</p> <p><b>Data IO:</b> MID-LEVEL;</p> <p><b>DM:</b> stable at 0;</p> <p><b>Bank Activity:</b> all banks closed;</p> <p><b>Output Buffer and RTT:</b> Enabled in Mode Registers(2);</p> <p><b>ODT Signal:</b> stable at 0</p>
IDD3N	<p><b>Active Standby Current</b></p> <p><b>CKE:</b> High; <b>External clock:</b> On;</p> <p><b>tCK, CL:</b> see the table of Timings used for IDD and IDDQ;</p> <p><b>BL:</b> 8(1); <b>AL:</b> 0;</p> <p><b><math>\overline{CS}</math>:</b> stable at 1;</p> <p><b>Command, Address, Bank Address Inputs:</b> partially toggling;</p> <p><b>Data IO:</b> MID-LEVEL;</p> <p><b>DM:</b> stable at 0;</p> <p><b>Bank Activity:</b> all banks open;</p>

	<p><b>Output Buffer and RTT:</b> Enabled in Mode Registers(2);</p> <p><b>ODT Signal:</b> stable at 0;</p>
IDD3P	<p><b>Active Power-Down Current</b></p> <p><b>CKE:</b> Low; <b>External clock:</b> On;</p> <p><b>tCK, CL:</b> see the table of Timings used for IDD and IDDQ;</p> <p><b>BL:</b> 8(1); <b>AL:</b> 0;</p> <p><b><math>\overline{CS}</math>:</b> stable at 1;</p> <p><b>Command, Address, Bank Address Inputs:</b> stable at 0;</p> <p><b>Data IO:</b> MID-LEVEL;</p> <p><b>DM:</b> stable at 0;</p> <p><b>Bank Activity:</b> all banks open;</p> <p><b>Output Buffer and RTT:</b> Enabled in Mode Registers(2);</p> <p><b>ODT Signal:</b> stable at 0</p>
IDD4R	<p><b>Operating Burst Read Current</b></p> <p><b>CKE:</b> High; <b>External clock:</b> On;</p> <p><b>tCK, CL:</b> see the table of Timings used for IDD and IDDQ;</p> <p><b>BL:</b> 8(1,7); <b>AL:</b> 0;</p> <p><b><math>\overline{CS}</math>:</b> High between RD;</p> <p><b>Command, Address, Bank Address Inputs:</b> partially toggling;</p> <p><b>Data IO:</b> seamless read data burst with different data between one burst and the next one;</p> <p><b>DM:</b> stable at 0;</p> <p><b>Bank Activity:</b> all banks open, RD commands cycling through banks: 0,0,1,1,2,2,...;</p> <p><b>Output Buffer and RTT:</b> Enabled in Mode Registers(2);</p> <p><b>ODT Signal:</b> stable at 0;</p>
IDD4W	<p><b>Operating Burst Write Current</b></p> <p><b>CKE:</b> High; <b>External clock:</b> On;</p> <p><b>tCK, CL:</b> see the table of Timings used for IDD and IDDQ;</p> <p><b>BL:</b> 8(1); <b>AL:</b> 0;</p> <p><b><math>\overline{CS}</math>:</b> High between WR;</p> <p><b>Command, Address, Bank Address Inputs:</b> partially toggling;</p> <p><b>Data IO:</b> seamless write data burst with different data between one burst and the next one ;</p> <p><b>DM:</b> stable at 0;</p> <p><b>Bank Activity:</b> all banks open, WR commands cycling through banks: 0,0,1,1,2,2,...;</p> <p><b>Output Buffer and RTT:</b> Enabled in Mode Registers(2);</p> <p><b>ODT Signal:</b> stable at HIGH;</p>
IDD5B	<p><b>Burst Refresh Current</b></p> <p><b>CKE:</b> High; <b>External clock:</b> On;</p>



	<p>t<b>CK</b>, <b>CL</b>, n<b>RFC</b>: see the table of Timings used for IDD and IDDQ;</p> <p><b>BL</b>: 8(1); <b>AL</b>: 0;</p> <p><b>CS</b>: High between REF;</p> <p><b>Command, Address, Bank Address Inputs</b>: partially toggling;</p> <p><b>Data IO</b>: MID-LEVEL;</p> <p><b>DM</b>:stable at 0;</p> <p><b>Bank Activity</b>: REF command every n<b>RFC</b>;</p> <p><b>Output Buffer and RTT</b>: Enabled in Mode Registers(2);</p> <p><b>ODT Signal</b>: stable at 0;</p>
IDD6	<p><b>Self Refresh Current: Normal Temperature Range</b></p> <p><i>T</i><b>CASE</b>: 0 - 85°C;</p> <p><b>Auto Self-Refresh (ASR)</b>: Disabled(4);</p> <p><b>Self-Refresh Temperature Range (SRT)</b>:Normal(5);</p> <p><b>CKE</b>: Low; <b>External clock</b>: Off;</p> <p><b>CK</b> and <b>CK</b>: LOW; <b>CL</b>: see the table of Timings used for IDD and IDDQ;</p> <p><b>BL</b>: 8(1);<b>AL</b>: 0;</p> <p><b>CS, Command, Address, Bank Address, Data IO</b>: MID-LEVEL;</p> <p><b>DM</b>:stable at 0;</p> <p><b>Bank Activity</b>:Self-Refresh operation;</p> <p><b>Output Buffer and RTT</b>: Enabled in Mode Registers(2);</p> <p><b>ODT Signal</b>: MID-LEVEL</p>
IDD6ET	<p><b>Self-Refresh Current: Extended Temperature Range (optional)(6)</b></p> <p><i>T</i><b>CASE</b>: 0 - 95°C;</p> <p><b>Auto Self-Refresh (ASR)</b>: Disabled(4);</p> <p><b>Self-Refresh Temperature Range (SRT)</b>:Extended(5);</p> <p><b>CKE</b>: Low; <b>External clock</b>: Off; <b>CK</b> and <b>CK</b>: LOW; <b>CL</b>: see the table of Timings used for IDD and IDDQ;</p> <p><b>BL</b>: 8(1);<b>AL</b>: 0;</p> <p><b>CS, Command, Address, Bank Address, Data IO</b>: MID-LEVEL;</p> <p><b>DM</b>:stable at 0;</p> <p><b>Bank Activity</b>:Extended Temperature Self-Refresh operation;</p> <p><b>Output Buffer and RTT</b>: Enabled in Mode Registers(2);</p> <p><b>ODT Signal</b>: MID-LEVEL</p>
IDD6TC	<p><b>Auto Self-Refresh Current (optional)(6)</b></p> <p><i>T</i><b>CASE</b>: 0 - 95°C;</p> <p><b>Auto Self-Refresh (ASR)</b>: Enabled(4);</p> <p><b>Self-Refresh Temperature Range (SRT)</b>:Normal(5);</p> <p><b>CKE</b>: Low; <b>External clock</b>: Off; <b>CK</b> and <b>CK</b>: LOW; <b>CL</b>: see the table of Timings used for IDD and IDDQ;</p> <p><b>BL</b>: 8(1);<b>AL</b>: 0;</p>

	<p><b><math>\overline{CS}</math>, Command, Address, Bank Address, Data IO:</b> MID-LEVEL;</p> <p><b>DM:</b> stable at 0;</p> <p><b>Bank Activity:</b> Auto Self-Refresh operation;</p> <p><b>Output Buffer and RTT:</b> Enabled in Mode Registers(2);</p> <p><b>ODT Signal:</b> MIDDLELEVEL</p>
IDD7	<p><b>Operating Bank Interleave Read Current</b></p> <p><b>CKE:</b> High; <b>External clock:</b> On;</p> <p><b>tCK, nRC, nRAS, nRCD, nRRD, nFAW, CL:</b> see the table of Timings used for IDD and IDDQ;</p> <p><b>BL:</b> 8(1,7); <b>AL:</b> CL-1;</p> <p><b><math>\overline{CS}</math>:</b> High between ACT and RDA;</p> <p><b>Command, Address, Bank Address Inputs:</b> partially toggling;</p> <p><b>Data IO:</b> read data bursts with different data between one burst and the next one;</p> <p><b>DM:</b> stable at 0;</p> <p><b>Bank Activity:</b> two times interleaved cycling through banks (0, 1, ...7) with different addressing;</p> <p><b>Output Buffer and RTT:</b> Enabled in Mode Registers(2);</p> <p><b>ODT Signal:</b> stable at 0;</p>
IDD8	<p><b>RESET Low Current</b></p> <p><b>RESET:</b> LOW; <b>External clock:</b> Off;</p> <p><b>CK and <math>\overline{CK}</math>:</b> LOW; <b>CKE:</b> FLOATING;</p> <p><b><math>\overline{CS}</math>, Command, Address, Bank Address, Data IO:</b> FLOATING;</p> <p><b>ODT Signal:</b> FLOATING</p> <p>RESET Low current reading is valid once power is stable and RESET has been LOW for at least 1ms.</p>
<p>NOTE 1. Burst Length: BL8 fixed by MRS: set MR0 A[1,0]=00B</p> <p>NOTE 2. Output Buffer Enable: set MR1 A[12] = 0B; set MR1 A[5,1] = 01B; RTT_Nom enable: set MR1 A[9,6,2] = 011B; RTT_Wr enable: set MR2 A[10,9] = 10B</p> <p>NOTE 3. Pecharge Power Down Mode: set MR0 A12=0B for Slow Exit or MR0 A12=1B for Fast Exit</p> <p>NOTE 4. Auto Self-Refresh (ASR): set MR2 A6 = 0B to disable or 1B to enable feature</p> <p>NOTE 5. Self-Refresh Temperature Range (SRT): set MR2 A7=0B for normal or 1B for extended temperature range</p> <p>NOTE 6. Refer to DRAM supplier data sheet and/or DIMM SPD to determine if optional features or requirements are supported by DDR3 SDRAM device</p> <p>NOTE 7. Read Burst Type: Nibble Sequential, set MR0 A[3] = 0B</p>	

**IDDO Measurement-Loop Pattern**

CK, CK#	CKE	Sub-Loop	Cycle Number	Command	CS#	RAS#	CAS#	WE#	ODT	BA[2:0]	A[15:11]	A[10]	A[9:7]	A[6:3]	A[2:0]	Data <sup>2</sup>			
toggling	Static High	0	0	ACT	0	0	1	1	0	0	00	0	0	0	0	-			
			1, 2	D, D	1	0	0	0	0	0	0	00	0	0	0	0	-		
			3, 4	D#, D#	1	1	1	1	0	0	0	00	0	0	0	0	-		
			...	repeat pattern 1...4 until nRAS - 1, truncate if necessary															
			nRAS	PRE	0	0	1	0	0	0	0	00	0	0	0	0	0	-	
			...	repeat pattern 1...4 until nRC - 1, truncate if necessary															
			1*nRC + 0	ACT	0	0	1	1	0	0	0	00	0	0	F	0	0	-	
			1*nRC + 1, 2	D, D	1	0	0	0	0	0	0	0	00	0	0	F	0	-	
			1*nRC + 3, 4	D#, D#	1	1	1	1	0	0	0	0	00	0	0	F	0	-	
			...	repeat pattern nRC + 1, ..., 4 until 1*nRC + nRAS - 1, truncate if necessary															
			1*nRC + nRAS	PRE	0	0	1	0	0	0	0	0	00	0	0	F	0	-	
			...	repeat nRC + 1, ..., 4 until 2*nRC - 1, truncate if necessary															
			1	2*nRC	repeat Sub-Loop 0, use BA[2:0] = 1 instead														
			2	4*nRC	repeat Sub-Loop 0, use BA[2:0] = 2 instead														
		3	6*nRC	repeat Sub-Loop 0, use BA[2:0] = 3 instead															
		4	8*nRC	repeat Sub-Loop 0, use BA[2:0] = 4 instead															
		5	10*nRC	repeat Sub-Loop 0, use BA[2:0] = 5 instead															
6	12*nRC	repeat Sub-Loop 0, use BA[2:0] = 6 instead																	
7	14*nRC	repeat Sub-Loop 0, use BA[2:0] = 7 instead																	

NOTE:

1. DM must be driven LOW all the time. DQS, DQS# are MID-LEVEL.
2. DQ signals are MID-LEVEL.

**IDD1 Measurement-Loop Pattern**

CK, CK#	CKE	Sub-Loop	Cycle Number	Command	CS#	RAS#	CAS#	WE#	ODT	BA[2:0]	A[15:11]	A[10]	A[9:7]	A[6:3]	A[2:0]	Data <sup>2</sup>		
toggling	Static High	0	0	ACT	0	0	1	1	0	0	00	0	0	0	0	-		
			1, 2	D, D	1	0	0	0	0	0	0	00	0	0	0	0	-	
			3,4	D#, D#	1	1	1	1	0	0	0	00	0	0	0	0	-	
			...	repeat pattern 1...4 until nRCD - 1, truncate if necessary														
			nRCD	RD	0	1	0	1	0	0	0	00	0	0	0	0	0	00000000
			...	repeat pattern 1...4 until nRAS - 1, truncate if necessary														
			nRAS	PRE	0	0	1	0	0	0	0	00	0	0	0	0	0	-
			...	repeat pattern 1...4 until nRC - 1, truncate if necessary														
			1*nRC + 0	ACT	0	0	1	1	0	0	0	00	0	0	F	0	0	-
			1*nRC + 1, 2	D, D	1	0	0	0	0	0	0	0	00	0	0	F	0	-
			1*nRC + 3, 4	D#, D#	1	1	1	1	0	0	0	00	0	0	F	0	-	
			...	repeat pattern nRC + 1, ..., 4 until nRC + nRCD - 1, truncate if necessary														
			1*nRC + nRCD	RD	0	1	0	1	0	0	0	00	0	0	F	0	0	00110011
			...	repeat pattern nRC + 1, ..., 4 until nRC + nRAS - 1, truncate if necessary														
			1*nRC + nRAS	PRE	0	0	1	0	0	0	0	00	0	0	F	0	0	-
			...	repeat pattern nRC + 1, ..., 4 until 2 * nRC - 1, truncate if necessary														
			1	2*nRC	repeat Sub-Loop 0, use BA[2:0] = 1 instead													
		2	4*nRC	repeat Sub-Loop 0, use BA[2:0] = 2 instead														
		3	6*nRC	repeat Sub-Loop 0, use BA[2:0] = 3 instead														
		4	8*nRC	repeat Sub-Loop 0, use BA[2:0] = 4 instead														
		5	10*nRC	repeat Sub-Loop 0, use BA[2:0] = 5 instead														
6	12*nRC	repeat Sub-Loop 0, use BA[2:0] = 6 instead																
7	14*nRC	repeat Sub-Loop 0, use BA[2:0] = 7 instead																

**NOTE:**

- DM must be driven LOW all the time. DQS, DQS# are used according to RD Commands, otherwise MID-LEVEL.
- Burst Sequence driven on each DQ signal by Read Command. Outside burst operation, DQ signals are MID-LEVEL.

**IDD2N and IDD3N Measurement-Loop Pattern**

CK, CK#	CKE	Sub-Loop	Cycle Number	Command	CS#	RAS#	CAS#	WE#	ODT	BA[2:0]	A[15:11]	A[10]	A[9:7]	A[6:3]	A[2:0]	Data <sup>2</sup>	
toggling	Static High	0	0	D	1	0	0	0	0	0	0	0	0	0	0	-	
		1	D	1	0	0	0	0	0	0	0	0	0	0	0	-	
		2	D#	1	1	1	1	0	0	0	0	0	0	F	0	-	
		3	D#	1	1	1	1	0	0	0	0	0	0	F	0	-	
		1	4-7	repeat Sub-Loop 0, use BA[2:0] = 1 instead													
		2	8-11	repeat Sub-Loop 0, use BA[2:0] = 2 instead													
		3	12-15	repeat Sub-Loop 0, use BA[2:0] = 3 instead													
		4	16-19	repeat Sub-Loop 0, use BA[2:0] = 4 instead													
		5	20-23	repeat Sub-Loop 0, use BA[2:0] = 5 instead													
		6	24-27	repeat Sub-Loop 0, use BA[2:0] = 6 instead													
7	28-31	repeat Sub-Loop 0, use BA[2:0] = 7 instead															

**NOTE:**

1.DM must be driven LOW all the time. DQS, DQS# are MID-LEVEL.

2.DQ signals are MID-LEVEL.

**IDD4R and IDDQ4R Measurement-Loop Pattern**

CK, CK#	CKE	Sub-Loop	Cycle Number	Command	CS#	RAS#	CAS#	WE#	ODT	BA[2:0]	A[15:11]	A[10]	A[9:7]	A[6:3]	A[2:0]	Data <sup>2</sup>	
toggling	Static High	0	0	RD	0	1	0	1	0	0	00	0	0	0	0	00000000	
			1	D	1	0	0	0	0	0	0	00	0	0	0	0	-
			2, 3	D#,D#	1	1	1	1	1	0	0	00	0	0	0	0	-
			4	RD	0	1	0	1	0	0	0	00	0	0	F	0	00110011
			5	D	1	0	0	0	0	0	0	00	0	0	F	0	-
			6, 7	D#,D#	1	1	1	1	1	0	0	00	0	0	F	0	-
			1	8-15	repeat Sub-Loop 0, but BA[2:0] = 1												
		2	16-23	repeat Sub-Loop 0, but BA[2:0] = 2													
		3	24-31	repeat Sub-Loop 0, but BA[2:0] = 3													
		4	32-39	repeat Sub-Loop 0, but BA[2:0] = 4													
		5	40-47	repeat Sub-Loop 0, but BA[2:0] = 5													
		6	48-55	repeat Sub-Loop 0, but BA[2:0] = 6													
		7	56-63	repeat Sub-Loop 0, but BA[2:0] = 7													

**NOTE:**

- 1.DM must be driven LOW all the time. DQS, DQS# are used according to RD Commands, otherwise MID-LEVEL.
- 2.Burst Sequence driven on each DQ signal by Read Command. Outside burst operation, DQ signals are MID-LEVEL.

**IDD4W Measurement-Loop Pattern**

CK, CK#	CKE	Sub-Loop	Cycle Number	Command	CS#	RAS#	CAS#	WE#	ODT	BA[2:0]	A[15:11]	A[10]	A[9:7]	A[6:3]	A[2:0]	Data <sup>2</sup>	
toggling	Static High	0	0	WR	0	1	0	0	1	0	00	0	0	0	0	00000000	
			1	D	1	0	0	0	1	0	00	0	0	0	0	-	
			2, 3	D#,D#	1	1	1	1	1	0	00	0	0	0	0	-	
			4	WR	0	1	0	0	1	0	00	0	0	F	0	00110011	
			5	D	1	0	0	0	1	0	00	0	0	F	0	-	
			6, 7	D#,D#	1	1	1	1	1	0	00	0	0	F	0	-	
			1	8-15	repeat Sub-Loop 0, but BA[2:0] = 1												
		2	16-23	repeat Sub-Loop 0, but BA[2:0] = 2													
		3	24-31	repeat Sub-Loop 0, but BA[2:0] = 3													
		4	32-39	repeat Sub-Loop 0, but BA[2:0] = 4													
		5	40-47	repeat Sub-Loop 0, but BA[2:0] = 5													
		6	48-55	repeat Sub-Loop 0, but BA[2:0] = 6													
		7	56-63	repeat Sub-Loop 0, but BA[2:0] = 7													

**NOTE:**

- 1.DM must be driven LOW all the time. DQS, DQS# are used according to WR Commands, otherwise MID-LEVEL.
- 2.Burst Sequence driven on each DQ signal by Write Command. Outside burst operation, DQ signals are MID-LEVEL.

**IDD5B Measurement-Loop Pattern**

CK, CK#	CKE	Sub-Loop	Cycle Number	Command	CS#	RAS#	CAS#	WE#	ODT	BA[2:0]	A[15:11]	A[10]	A[9:7]	A[6:3]	A[2:0]	Data <sup>2</sup>	
toggling	Static High	0	0	REF	0	0	0	1	0	0	0	0	0	0	0	-	
		1	1, 2	D, D	1	0	0	0	0	0	0	00	0	0	0	0	-
			3, 4	D#, D#	1	1	1	1	0	0	0	00	0	0	F	0	-
			5...8	repeat cycles 1...4, but BA[2:0] = 1													
			9...12	repeat cycles 1...4, but BA[2:0] = 2													
			13...16	repeat cycles 1...4, but BA[2:0] = 3													
			17...20	repeat cycles 1...4, but BA[2:0] = 4													
			21...24	repeat cycles 1...4, but BA[2:0] = 5													
			25...28	repeat cycles 1...4, but BA[2:0] = 6													
			29...32	repeat cycles 1...4, but BA[2:0] = 7													
		2	33 ... nRFC - 1	repeat Sub-Loop 1, until nRFC - 1. Truncate, if necessary.													

**NOTE:**

1.DM must be driven Low all the time. DQS, DQS# are MID-LEVEL.

2.DQ signals are MID-LEVEL.

### IDD7 Measurement-Loop Pattern

ATTENTION: Sub-Loops 10-19 have inverse A[6:3] Pattern and Data Pattern than Sub-Loops 0-9

CK, CK#	CKE	Sub-Loop	Cycle Number	Command	CS#	RAS#	CAS#	WE#	ODT	BA[2:0]	A[15:11]	A[10]	A[9:7]	A[6:3]	A[2:0]	Data <sup>2</sup>		
toggling	Static High	0	0	ACT	0	0	1	1	0	0	00	0	0	0	0	-		
			1	RDA	0	1	0	1	0	0	00	1	0	0	0	00000000		
			2	D	1	0	0	0	0	0	0	00	0	0	0	0	-	
		... repeat above D Command until nRRD - 1																
		1	nRRD	ACT	0	0	1	1	0	0	1	00	0	0	F	0	-	
			nRRD + 1	RDA	0	1	0	1	0	0	1	00	1	0	F	0	00110011	
			nRRD + 2	D	1	0	0	0	0	0	1	00	0	0	F	0	-	
			... repeat above D Command until 2 * nRRD - 1															
		2 * nRRD repeat Sub-Loop 0, but BA[2:0] = 2																
		3 * nRRD repeat Sub-Loop 1, but BA[2:0] = 3																
		4	4 * nRRD	D	1	0	0	0	0	0	3	00	0	0	F	0	-	
				Assert and repeat above D Command until nFAW - 1, if necessary														
		5 nFAW repeat Sub-Loop 0, but BA[2:0] = 4																
		6 nFAW+nRRD repeat Sub-Loop 1, but BA[2:0] = 5																
		7 nFAW+2*nRRD repeat Sub-Loop 0, but BA[2:0] = 6																
		8 nFAW+3*nRRD repeat Sub-Loop 1, but BA[2:0] = 7																
		9	nFAW+4*nRRD	D	1	0	0	0	0	0	7	00	0	0	F	0	-	
				Assert and repeat above D Command until 2 * nFAW - 1, if necessary														
		10	2*nFAW+0	ACT	0	0	1	1	0	0	0	00	0	0	F	0	-	
				RDA	0	1	0	1	0	0	0	00	1	0	F	0	00110011	
				D	1	0	0	0	0	0	0	00	0	0	F	0	-	
				Repeat above D Command until 2 * nFAW + nRRD - 1														
		11	2*nFAW+nRRD	ACT	0	0	1	1	0	0	1	00	0	0	0	0	-	
				RDA	0	1	0	1	0	0	1	00	1	0	0	0	00000000	
				D	1	0	0	0	0	0	1	00	0	0	0	0	-	
		repeat above D Command until 2 * nFAW + 2 * nRRD - 1																
		12 2*nFAW+2*nRRD repeat Sub-Loop 10, but BA[2:0] = 2																
		13 2*nFAW+3*nRRD repeat Sub-Loop 11, but BA[2:0] = 3																
		14	2*nFAW+4 * nRRD	D	1	0	0	0	0	0	3	00	0	0	0	0	-	
Assert and repeat above D Command until 3 * nFAW - 1, if necessary																		
15 3*nFAW repeat Sub-Loop 10, but BA[2:0] = 4																		
16 3*nFAW+nRRD repeat Sub-Loop 11, but BA[2:0] = 5																		
17 3*nFAW+2*nRRD repeat Sub-Loop 10, but BA[2:0] = 6																		
18 3*nFAW+3*nRRD repeat Sub-Loop 11, but BA[2:0] = 7																		
19	3*nFAW+4*nRRD	D	1	0	0	0	0	0	7	00	0	0	0	0	-			
		Assert and repeat above D Command until 4 * nFAW - 1, if necessary																

NOTE:

- 1.DM must be driven LOW all the time. DQS, DQS# are used according to RD Commands, otherwise MID-LEVEL
- 2.Burst Sequence driven on each DQ signal by Read Command. Outside burst operation, DQ signals are MID-LEVEL.



## Fundamental AC Specifications – Operating Frequency

### DDR3-2133

Speed Bins		DDR3-2133 14-14-14		Unit	Note	
Parameter		Min	Max			
tCK (Avg)	CL5	CWL5	Reserved		ns	1,2,3,4,10
		CWL6/7/8/9/10	Reserved		ns	4
	CL6	CWL5	2.5	3.3	ns	1,2,3,10
		CWL6	Reserved		ns	1,2,3,4,10
		CWL7/8/9/10	Reserved		ns	4
	CL7	CWL5	Reserved		ns	4
		CWL6	1.875	< 2.5	ns	1,2,3,10
		CWL7	Reserved		ns	1,2,3,4,10
		CWL8/9/10	Reserved		ns	4
	CL8	CWL5	Reserved		ns	4
		CWL6	1.875	< 2.5	ns	1,2,3,10
		CWL7	Reserved		ns	1,2,3,4,10
		CWL8/9/10	Reserved		ns	4
	CL9	CWL5/6	Reserved		ns	4
		CWL7	1.5	< 1.875	ns	1,2,3,10
		CWL8	Reserved		ns	1,2,3,4,10
		CWL9/10	Reserved		ns	4
	CL10	CWL5/6	Reserved		ns	4
		CWL7	1.5	< 1.875	ns	1,2,3,10
		CWL8	Reserved		ns	1,2,3,4,10
CWL9		Reserved		ns	1,2,3,4,10	
CWL10		Reserved		ns	4	
CL11	CWL5/6/7	Reserved		ns	4	
	CWL8	1.25	< 1.5	ns	1,2,3,10	
	CWL9	Reserved		ns	1,2,3,4,10	
	CWL10	Reserved		ns	1,2,3,4	
tCK (Avg)	CL13	CWL5/6/7/8	Reserved		ns	4
		CWL9	1.07	< 1.25	ns	1,2,3,10
		CWL10	Reserved		ns	1,2,3,4
	CL14	CWL5/6/7/8/9	Reserved		ns	4
CWL10		0.938	< 1.07	ns	1,2,3	
<b>Supported CL</b>		5,6,7,8,9,10,11,12,13,14		<b>nCK</b>	15	
<b>Supported CWL</b>		5,6,7,8,9,10		<b>nCK</b>		

## Fundamental AC Specifications – Operating Frequency

### DDR3-1866 and DDR3L-1866

Speed Bins		DDR3(L)-1866 13-13-13		Unit	Note	
Parameter		Min	Max			
tCK (Avg)	CL6	CWL5	2.5	3.3	ns	1,2,3,9
		CWL6	Reserved		ns	1,2,3,4,9
		CWL7/8/9	Reserved		ns	4
	CL7	CWL5	Reserved		ns	4
		CWL6	1.875	< 2.5	ns	1,2,3,4,9
		CWL7/8/9	Reserved		ns	4
	CL8	CWL5	Reserved		ns	4
		CWL6	1.875	< 2.5	ns	1,2,3,9
		CWL7	Reserved		ns	1,2,3,4,9
		CWL8/9	Reserved		ns	4
	CL9	CWL5/6	Reserved		ns	4
		CWL7	1.5	< 1.875	ns	1,2,3,4,9
		CWL8	Reserved		ns	1,2,3,4,9
		CWL9	Reserved		ns	4
	CL10	CWL5/6	Reserved		ns	4
		CWL7	1.5	< 1.875	ns	1,2,3,9
		CWL8	Reserved		ns	1,2,3,4,9
	CL11	CWL5/6/7	Reserved		ns	4
		CWL8	1.25	< 1.5	ns	1,2,3,4,9
		CWL9	Reserved		ns	4
CL13	CWL5/6/7/8	Reserved		ns	4	
	CWL9	1.07	< 1.25	ns	1,2,3	
<b>Supported CL</b>		6,7,8,9,10,11,13		nCK	15	
<b>Supported CWL</b>		5, 6, 7, 8, 9		nCK		

## Fundamental AC Specifications – Operating Frequency

### DDR3-1600 and DDR3L-1600

Speed Bins		DDR3(L)-1600 11-11-11		Unit	Note	
Parameter		Min	Max			
tCK (Avg)	CL5	CWL5	3.0	3.3	ns	1,2,3,4,8,12,13
		CWL6/7/8	Reserved		ns	4
	CL6	CWL5	2.5	3.3	ns	1,2,3,8
		CWL6	Reserved		ns	1,2,3,4,8
		CWL7/8	Reserved		ns	4
	CL7	CWL5	Reserved		ns	4
		CWL6	1.875	< 2.5	ns	1,2,3,4,8
		CWL7	Reserved		ns	1,2,3,4,8
		CWL8	Reserved		ns	4
	CL8	CWL5	Reserved		ns	4
		CWL6	1.875	< 2.5	ns	1,2,3,8
		CWL7	Reserved		ns	1,2,3,4,8
		CWL8	Reserved		ns	1,2,3,4
	CL9	CWL5/6	Reserved		ns	4
		CWL7	1.5	<1.875	ns	1,2,3,4,8
		CWL8	Reserved		ns	1,2,3,4
	CL10	CWL5/6	Reserved		ns	4
		CWL7	1.5	< 1.875	ns	1,2,3,8
		CWL8	Reserved		ns	1,2,3,4
	CL11	CWL5/6/7	Reserved		ns	4
CWL8		1.25	<1.5	ns	1,2,3	
<b>Supported CL</b>		5,6, 7, 8, 9, 10, 11		<b>nCK</b>	15	
<b>Supported CWL</b>		5, 6, 7, 8		<b>nCK</b>		

## Fundamental AC Specifications Notes

- NOTE 1. The CL setting and CWL setting result in tCK(AVG).MIN and tCK(AVG).MAX requirements. When making a selection of tCK(AVG), both need to be fulfilled: Requirements from CL setting as well as requirements from CWL setting.
- NOTE 2. tCK(AVG).MIN limits: Since CAS Latency is not purely analog - data and strobe output are synchronized by the DLL - all possible intermediate frequencies may not be guaranteed. An application should use the next smaller JEDEC standard tCK(AVG) value (3.0, 2.5, 1.875, 1.5, 1.25, 1.07, or 0.938 ns) when calculating CL [nCK] = tAA [ns] / tCK(AVG) [ns], rounding up to the next 'Supported CL', where tCK(AVG) = 3.0 ns should only be used for CL = 5 calculation.
- NOTE 3. tCK(AVG).MAX limits: Calculate tCK(AVG) = tAA.MAX / CL SELECTED and round the resulting tCK(AVG) down to the next valid speed bin (i.e. 3.3ns or 2.5ns or 1.875 ns or 1.5 ns or 1.25 ns or 1.07 ns or 0.938 ns). This result is tCK(AVG).MAX corresponding to CL SELECTED.
- NOTE 4. 'Reserved' settings are not allowed. User must program a different value.
- NOTE 5. 'Optional' settings allow certain devices in the industry to support this setting, however, it is not a mandatory feature. Refer to supplier's data sheet and/or the DIMM SPD information if and how this setting is supported.
- NOTE 6. Any DDR3-1066 speed bin also supports functional operation at lower frequencies as shown in the table which are not subject to Production Tests but has verified.
- NOTE 7. Any DDR3-1333 speed bin also supports functional operation at lower frequencies as shown in the table which are not subject to Production Tests but has verified.
- NOTE 8. Any DDR3-1600 speed bin also supports functional operation at lower frequencies as shown in the table which are not subject to Production Tests but has verified.
- NOTE 9. Any DDR3-1866 speed bin also supports functional operation at lower frequencies as shown in the table which are not subject to Production Tests but has verified.
- NOTE 10. Any DDR3-2133 speed bin also supports functional operation at lower frequencies as shown in the table which are not subject to Production Tests but has verified.
- NOTE 11. For devices supporting optional down binning to CL=7 and CL=9, tAA/tRCD/tRPmin must be 13.125 ns. SPD settings must be programmed to match. For example, DDR3-1333(9-9-9) devices supporting down binning to DDR3-1066(7-7-7) should program 13.125 ns in SPD bytes for tAAmin (Byte 16), tRCDmin (Byte 18), and tRPmin (Byte 20). DDR3-1600(11-11-11) devices supporting down binning to DDR3-1333(9-9-9) or DDR3-1066(7-7-7) should program 13.125 ns in SPD bytes for tAAmin (Byte16), tRCDmin (Byte 18), and tRPmin (Byte 20). Once tRP (Byte 20) is programmed to 13.125ns, tRCmin (Byte 21,23) also should be programmed accordingly. For example, 49.125ns (tRASmin + tRPmin = 36 ns + 13.125 ns) for DDR3-1333(9-9-9) and 48.125ns (tRASmin + tRPmin = 35 ns + 13.125 ns) for DDR3-1600(11-11-11).
- NOTE 12. DDR3 800 AC timing apply if DRAM operates at lower than 800 MT/s data rate.
- NOTE 13. For CL5 support, refer to DIMM SPD information. DRAM is required to support CL5. CL5 is not mandatory in SPD coding.
- NOTE 14. For devices supporting optional down binning to CL=11, CL=9 and CL=7, tAA/tRCD/tRPmin must be 13.125ns. SPD setting must be programmed to match. For example, DDR3-1866(13-13-13) devices supporting down binning to DDR3-1600(11-11-11) or DDR3-1333(9-9-9) or 1066(7-7-7) should program 13.125ns in SPD bytes for tAAmin(byte16), tRCDmin(Byte18) and tRPmin (byte20). Once tRP (Byte 20) is programmed to 13.125ns, tRCmin (Byte 21,23) also should be programmed accordingly. For example, 47.125ns (tRASmin + tRPmin = 34 ns+ 13.125 ns).
- NOTE 15. Supporting CL setting herewith is a reference base on JEDEC's. Precise CL setting needs to follow where defined on speed compatible table in section "Operating frequency", exceptional setting please confirm with NTC.



## Electrical Characteristics & AC Timing

### Timing Parameters for DDR3(L)-1066, and DDR3(L)-1333

Parameter	Symbol	DR3(L)-1066		DDR3(L)-1333		Unit
		Min.	Max.	Min.	Max.	
<b>Clock Timing</b>						
Minimum Clock Cycle Time (DLL off mode)	tCK (DLL_off)	8	-	8	-	ns
Average Clock Period	tCK(avg)	Refer to "Fundamental AC Specifications"				ps
Average high pulse width	tCH(avg)	0.47	0.53	0.47	0.53	tCK(avg)
Average low pulse width	tCL(avg)	0.47	0.53	0.47	0.53	tCK(avg)
Absolute Clock Period	tCK(abs)	Min.: tCK(avg)min + tJIT(per)min Max.: tCK(avg)max + tJIT(per)max				ps
Absolute clock HIGH pulse width	tCH(abs)	0.43	-	0.43	-	tCK(avg)
Absolute clock LOW pulse width	tCL(abs)	0.43	-	0.43	-	tCK(avg)
Clock Period Jitter	JIT(per)	-90	90	-80	80	ps
Clock Period Jitter during DLL locking period	JIT(per, lck)	-80	80	-70	70	ps
Cycle to Cycle Period Jitter	tJIT(cc)	180		160		ps
Cycle to Cycle Period Jitter during DLL locking period	tJIT(cc, lck)	160		140		ps
Duty Cycle Jitter	tJIT(duty)	-	-	-	-	ps
Cumulative error across n = 2, 14 . . . 49, 50 cycles	tERR(nper)	tERR(nper) min = (1 + 0.68ln(n)) * tJIT(per)min tERR(nper) max = (1 + 0.68ln(n)) * tJIT(per)max				ps
<b>Data Timing</b>						
DQS, $\overline{DQS}$ to DQ skew, per group, per access	tDQSQ	-	150	-	125	ps
DQ output hold time from DQS, $\overline{DQS}$	tQH	0.38	-	0.38	-	tCK(avg)
DQ low-impedance time from CK, $\overline{CK}$	tLZ(DQ)	-600	300	-500	250	ps
DQ high impedance time from CK, $\overline{CK}$	tHZ(DQ)	-	300	-	250	ps
Data setup time to DQS, $\overline{DQS}$ referenced to Vih(ac) / Vil(ac) levels	tDS(base) DDR3-AC175	25	-	-	-	ps
	tDS(base) DDR3-AC150	75	-	30	-	ps
	tDS(base) DDR3L-AC160	40	-	-	-	ps
	tDS(base) DDR3L-AC135	90	-	45	-	ps
Data hold time from DQS, $\overline{DQS}$ referenced to Vih(dc) / Vil(dc) levels	tDH(base) DDR3-DC100	100	-	65	-	ps
	tDH(base) DDR3L-DC90	110	-	75	-	ps
DQ and DM Input pulse width for each input	tDIPW	490	-	400	-	ps
<b>Data Strobe Timing</b>						
DQS, $\overline{DQS}$ differential READ Preamble	tRPRE	0.9	Note 19	0.9	Note 19	tCK(avg)
DQS, $\overline{DQS}$ differential READ Postamble	tRPST	0.3	Note 11	0.3	Note 11	tCK(avg)
DQS, $\overline{DQS}$ differential output high time	tQSH	0.38	-	0.4	-	tCK(avg)
DQS, $\overline{DQS}$ differential output low time	tQSL	0.38	-	0.4	-	tCK(avg)
DQS, $\overline{DQS}$ differential WRITE Preamble	tWPRE	0.9	-	0.9	-	tCK(avg)
DQS, $\overline{DQS}$ differential WRITE Postamble	tWPST	0.3	-	0.3	-	tCK(avg)
DQS, $\overline{DQS}$ rising edge output access time from rising CK, $\overline{CK}$	tDQSCK	-300	300	-255	255	ps
DQS and $\overline{DQS}$ low-impedance time (Referenced from RL - 1)	tLZ(DQS)	-600	300	-500	250	ps
DQS and $\overline{DQS}$ high-impedance time (Referenced from RL + BL/2)	tHZ(DQS)	-	300	-	250	ps
DQS, $\overline{DQS}$ differential input low pulse width	tDQSL	0.45	0.55	0.45	0.55	tCK(avg)
DQS, $\overline{DQS}$ differential input high pulse width	tDQSH	0.45	0.55	0.45	0.55	tCK(avg)
DQS, $\overline{DQS}$ rising edge to CK, $\overline{CK}$ rising edge	tDQSS	-0.25	0.25	-0.25	0.25	tCK(avg)
DQS, $\overline{DQS}$ falling edge setup time to CK, $\overline{CK}$ rising edge	tDSS	0.2	-	0.2	-	tCK(avg)
DQS, $\overline{DQS}$ falling edge hold time from CK, $\overline{CK}$ rising edge	tDSH	0.2	-	0.2	-	tCK(avg)
<b>Command and Address Timing</b>						

DLL locking time	tDLLK	512	-	512	-	nCK	
Internal READ Command to PRECHARGE Command delay	tRTP	tRTPmin.: max(4tCK, 7.5ns) tRTPmax.: -					
Delay from start of internal write transaction to internal read command	tWTR	tWTRmin.: max(4tCK, 7.5ns) tWTRmax.: -					
WRITE recovery time	tWR	15	-	15	-	ns	
Mode Register Set command cycle time	tMRD	4	-	4	-	nCK	
Mode Register Set command update delay	tMOD	tMODmin.: max(12tCK, 15ns) tMODmax.: -					
ACT to internal read or write delay time	tRCD	Refer to "Fundamental AC Specifications"					
PRE command period	tRP						
ACT to ACT or REF command period	tRC						
ACTIVE to PRECHARGE command period	tRAS						
CAS to CAS command delay	tCCD	4	-	4	-	nCK	
Auto precharge write recovery + precharge time	tDAL(MIN)	WR + roundup(tRP / tCK(avg))					nCK
Multi-Purpose Register Recovery Time	tMPRR	1	-	1	-	nCK	
ACTIVE to ACTIVE command period (1KB page size)	tRRD	Max (4tCK,7.5ns)	-	Max (4tCK,6ns)	-		
ACTIVE to ACTIVE command period (2KB page size)	tRRD	Max (4tCK,10ns)	-	Max (4tCK,7.5ns)	-		
Four activate window (1KB page size)	tFAW	37.5	-	30	-	ns	
Four activate window (2KB page size)	tFAW	50	-	45	-	ns	
Command and Address setup time to CK, CK referenced to Vih(ac) / Vil(ac) levels	tIS(BASE) DDR3-AC175	125	-	65	-	ps	
	tIS(BASE) DDR3-AC150	275	-	190	-	ps	
	tIS(BASE) DDR3L-AC160	140	-	80	-	ps	
	tIS(BASE) DDR3L-AC135	290	-	205	-	ps	
Command and Address hold time from CK, CK referenced to Vih(dc) / Vil(dc) levels	tIH(BASE) DDR3-DC100	200	-	140	-	ps	
	tIH(BASE) DDR3L-DC90	210	-	150	-	ps	
Control and Address Input pulse width for each input	tIPW	0.75	-	0.75	-	tCK(avg)	
<b>Calibration Timing</b>							
Power-up and RESET calibration time	tZQINIT	tZQINITmin.: max(512tCK, 640ns) tZQINITmax.: -					
Normal operation Full calibration time	tZQOPER	tZQOPERmin.: max(256tCK, 320ns) tZQOPERmax.: -					
Normal operation Short calibration time	tZQCS	tZQCSmin.: max(64 tCK, 80ns) tZQCSmax.: -					
<b>Reset Timing</b>							
Exit Reset from CKE HIGH to a valid command	tXPR	tXPRmin.: max(5 tCK, tRFC(min) + 10ns) tXPRmax.: -					
<b>Self Refresh Timings</b>							
Exit Self Refresh to commands not requiring a locked DLL	tXS	tXSmin.: max(5 tCK, tRFC (min) + 10ns) tXSmax.: -					
Exit Self Refresh to commands requiring a locked DLL	tXSDLL	tXSDLLmin.: tDLLK(min) tXSDLLmax.: -					nCK
Minimum CKE low width for Self Refresh entry to exit timing	tCKESR	tCKESRmin.: tCKE(min) + 1 tCK tCKESRmax.: -					
Valid Clock Requirement after Self Refresh Entry (SRE) or Power-Down Entry (PDE)	tCKSRE	tCKSREmin.: max(5 tCK, 10 ns) tCKSREmax.: -					
Valid Clock Requirement before Self Refresh Exit (SRX) or Power-Down Exit (PDX) or Reset Exit	tCKSRX	tCKSRXmin.: max(5 tCK, 10 ns) tCKSRXmax.: -					
<b>Power Down Timings</b>							
Exit Power Down with DLL on to any valid command; Exit Precharge Power Down with DLL frozen to commands not requiring a locked DLL	tXP	Max (3tCK,7.5ns)	-	Max (3tCK,6ns)	-		

CKE minimum pulse width	tCKE	Max (3tCK,5.625ns)	-	Max (3tCK,5.625ns)	-	
Exit Precharge Power Down with DLL frozen to commands requiring a locked DLL	tXPDLL	tXPDLLmin.: max(10tCK, 24ns) tXPDLLmax.: -				
Command pass disable delay	tCPDED	tCPDEDmin.: 1 tCPDEDmax.: -				nCK
Power Down Entry to Exit Timing	tPD	tPDmin.: tCKE(min) tPDmax.: 9*tREFI				
Timing of ACT command to Power Down entry	tACTPDEN	tACTPDENmin.: 1 tACTPDENmax.: -				nCK
Timing of PRE or PREA command to Power Down entry	tPRPDEN	tPRPDENmin.: 1 tPRPDENmax.: -				nCK
Timing of RD/RDA command to Power Down entry	tRDPDEN	tRDPDENmin.: RL+4+1 tRDPDENmax.: -				nCK
Timing of WR command to Power Down entry (BL8OTF, BL8MRS, BC4OTF)	tWRPDEN	tWRPDENmin.: WL + 4 + (tWR /tCK(avg)) tWRPDENmax.: -				nCK
Timing of WRA command to Power Down entry (BL8OTF, BL8MRS, BC4OTF)	tWRAPDEN	tWRAPDENmin.: WL+4+WR+1 tWRAPDENmax.: -				nCK
Timing of WR command to Power Down entry (BC4MRS)	tWRPDEN	tWRPDENmin.: WL + 2 + (tWR /tCK(avg)) tWRPDENmax.: -				nCK
Timing of WRA command to Power Down entry (BC4MRS)	tWRAPDEN	tWRAPDENmin.: WL + 2 +WR + 1 tWRAPDENmax.: -				nCK
Timing of REF command to Power Down entry	tREFPDEN	tREFPDENmin.: 1 tREFPDENmax.: -				nCK
Timing of MRS command to Power Down entry	tMRSPDEN	tMRSPDENmin.: tMOD(min) tMRSPDENmax.: -				
<b>ODT Timings</b>						
ODT turn on Latency	ODTLon	WL-2=CWL+AL-2				nCK
ODT turn off Latency	ODTLoff	WL-2=CWL+AL-2				nCK
ODT high time without write command or with write command and BC4	ODTH4	ODTH4min.: 4 ODTH4max.: -				nCK
ODT high time with Write command and BL8	ODTH8	ODTH8min.: 6 ODTH8max.: -				nCK
Asynchronous RTT turn-on delay (Power-Down with DLL frozen)	tAONPD	2	8.5	2	8.5	ns
Asynchronous RTT turn-off delay (Power-Down with DLL frozen)	tAOFPD	2	8.5	2	8.5	ns
RTT turn-on	tAON	-300	300	-250	250	ps
RTT_Nom and RTT_WR turn-off time from ODTLoff reference	tAOF	0.3	0.7	0.3	0.7	tCK(avg)
RTT dynamic change skew	tADC	0.3	0.7	0.3	0.7	tCK(avg)
<b>Write Leveling Timings</b>						
First DQS/DQS rising edge after write leveling mode is programmed	tWLMRD	40	-	40	-	nCK
DQS/DQS delay after write leveling mode is programmed	tWLDQSEN	25	-	25	-	nCK
Write leveling setup time from rising CK, CK crossing to rising DQS, DQS crossing	tWLS	245	-	195	-	ps
Write leveling hold time from rising DQS, DQS crossing to rising CK, CK crossing	tWLH	245	-	195	-	ps
Write leveling output delay	tWLO	0	9	0	9	ns
Write leveling output error	tWLOE	0	2	0	2	ns

Timing Parameters for DDR3(L)-1600, DDR3(L)-1866 and DDR3-2133

Parameter	Symbol	DDR3(L)-1600		DDR3(L)-1866		DDR3-2133		Unit	
		Min.	Max.	Min.	Max.	Min.	Max.		
<b>Clock Timing</b>									
Minimum Clock Cycle Time (DLL off mode)	tCK (DLL_off)	8	-	8	-	8	-	ns	
Average Clock Period	tCK(avg)	Refer to "Fundamental AC Specifications"							
Average high pulse width	tCH(avg)	0.47	0.53	0.47	0.53	0.47	0.53	tCK(avg)	
Average low pulse width	tCL(avg)	0.47	0.53	0.47	0.53	0.47	0.53	tCK(avg)	
Absolute Clock Period	tCK(abs)	Min.: tCK(avg)min + tJIT(per)min Max.: tCK(avg)max + tJIT(per)max							
Absolute clock HIGH pulse width	tCH(abs)	0.43	-	0.43	-	0.43	-	tCK(avg)	
Absolute clock LOW pulse width	tCL(abs)	0.43	-	0.43	-	0.43	-	tCK(avg)	
Clock Period Jitter	JIT(per)	-70	70	-60	60	-50	50	ps	
Clock Period Jitter during DLL locking period	JIT(per, lck)	-60	60	-50	50	-40	40	ps	
Cycle to Cycle Period Jitter	tJIT(cc)	140		120		100			
Cycle to Cycle Period Jitter during DLL locking period	JIT(cc, lck)	120		100		80			
Duty Cycle Jitter	tJIT(duty)	-	-	-	-	-	-	ps	
Cumulative error across n = 2, 14 . . . 49, 50 cycles	tERR(nper)	tERR(nper) min = (1 + 0.68ln(n)) * tJIT(per)min tERR(nper) max = (1 + 0.68ln(n)) * tJIT(per)max							ps
<b>Data Timing</b>									
DQS, $\overline{DQS}$ to DQ skew, per group, per access	tDQSQ	-	100	-	85	-	75	ps	
DQ output hold time from DQS, $\overline{DQS}$	tQH	0.38	-	0.38	-	0.38	-	tCK(avg)	
DQ low-impedance time from CK, $\overline{CK}$	tLZ(DQ)	-450	225	-390	195	-360	180	ps	
DQ high impedance time from CK, $\overline{CK}$	tHZ(DQ)	-	225	-	195	-	180	ps	
Data setup time to DQS, $\overline{DQS}$ referenced to Vih(ac) / Vil(ac) levels	tDS(base) DDR3-1600(AC 175) DDR3-1866/2133(AC150)	-	-	-	-	-	-	ps	
	tDS(base) DDR3-1600(AC 150) DDR3-1866/2133(AC135)	10	-	68	-	53	-	ps	
	tDS(base) DDR3L-1600(AC135),SR=1V/ns DDR3L-1866(AC130),SR=2V/ns	25	-	70	-	-	-	ps	
Data hold time from DQS, $\overline{DQS}$ referenced to Vih(dc) / Vil(dc) levels	tDH(base) DC100	45	-	-	-	-	-	ps	
	tDH(base) DC90 DDR3L-1600(SR=1V/ns) DDR3L-1866(SR=2V/ns)	55	-	75	-	-	-	ps	
	tDIPW	360	-	320	-	280	-	ps	
<b>Data Strobe Timing</b>									
DQS, $\overline{DQS}$ differential READ Preamble	tRPRE	0.9	Note 19	0.9	Note 19	0.9	Note 19	tCK(avg)	
DQS, $\overline{DQS}$ differential READ Postamble	tRPST	0.3	Note 11	0.3	Note 11	0.3	Note 11	tCK(avg)	
DQS, $\overline{DQS}$ differential output high time	tQSH	0.4	-	0.4	-	0.4	-	tCK(avg)	
DQS, $\overline{DQS}$ differential output low time	tQSL	0.4	-	0.4	-	0.4	-	tCK(avg)	
DQS, $\overline{DQS}$ differential WRITE Preamble	tWPRE	0.9	-	0.9	-	0.9	-	tCK(avg)	
DQS, $\overline{DQS}$ differential WRITE Postamble	tWPST	0.3	-	0.3	-	0.3	-	tCK(avg)	
DQS, $\overline{DQS}$ rising edge output access time from rising CK, $\overline{CK}$	tDQSCK	-225	225	-195	195	-180	180	ps	
DQS and $\overline{DQS}$ low-impedance time (Referenced from RL - 1)	tLZ(DQS)	-450	225	-390	195	-360	180	ps	
DQS and $\overline{DQS}$ high-impedance time (Referenced from RL + BL/2)	tHZ(DQS)	-	225	-	195	-	180	ps	



**DDR3-4Gb E-Die**  
**NT5CB(C)512M8EQ/NT5CB(C)256M16ER**

DQS, $\overline{\text{DQS}}$ differential input low pulse width	tDQSL	0.45	0.55	0.45	0.55	0.45	0.55	tCK(avg)	
DQS, $\overline{\text{DQS}}$ differential input high pulse width	tDQSH	0.45	0.55	0.45	0.55	0.45	0.55	tCK(avg)	
DQS, $\overline{\text{DQS}}$ rising edge to CK, $\overline{\text{CK}}$ rising edge	tDQSS	-0.27	0.27	-0.27	0.27	-0.27	0.27	tCK(avg)	
DQS, $\overline{\text{DQS}}$ falling edge setup time to CK, $\overline{\text{CK}}$ rising edge	tDSS	0.18	-	0.18	-	0.18	-	tCK(avg)	
DQS, $\overline{\text{DQS}}$ falling edge hold time from CK, $\overline{\text{CK}}$ rising edge	tDSH	0.18	-	0.18	-	0.18	-	tCK(avg)	
<b>Command and Address Timing</b>									
DLL locking time	tDLLK	512	-	512	-	512	-	nCK	
Internal READ Command to PRECHARGE Command delay	tRTP	tRTPmin.: max(4tCK, 7.5ns) tRTPmax.: -							
Delay from start of internal write transaction to internal read command	tWTR	tWTRmin.: max(4tCK, 7.5ns) tWTRmax.: -							
WRITE recovery time	tWR	15	-	15	-	15	-	ns	
Mode Register Set command cycle time	tMRD	4	-	4	-	4	-	nCK	
Mode Register Set command update delay	tMOD	tMODmin.: max(12tCK, 15ns) tMODmax.:							
ACT to internal read or write delay time	tRCD	Refer to "Fundamental AC Specifications"							
PRE command period	tRP								
ACT to ACT or REF command period	tRC								
ACTIVE to PRECHARGE command period	tRAS								
$\overline{\text{CAS}}$ to $\overline{\text{CAS}}$ command delay	tCCD	4	-	4	-	4	-	nCK	
Auto precharge write recovery + precharge time	tDAL(MIN)	WR + roundup(tRP / tCK(avg))							nCK
Multi-Purpose Register Recovery Time	tMPRR	1	-	1	-	1	-	nCK	
ACTIVE to ACTIVE command period (1KB page size)	tRRD	max(4tCK, 6ns)	-	max(4tCK, 5ns)	-	max(4tCK, 5ns)	-		
ACTIVE to ACTIVE command period (2KB page size)	tRRD	max(4tCK, 7.5ns)	-	max(4tCK, 6ns)	-	max(4tCK, 6ns)	-		
Four activate window (1KB page size)	tFAW	30	-	27	-	25	-	ns	
Four activate window (2KB page size)	tFAW	40	-	35	-	35	-	ns	
Command and Address setup time to CK, CK referenced to Vih(ac) / Vil(ac) levels	tIS(BASE) DDR3-1600(AC175)	45	-	-	-	-	-	ps	
	tIS(BASE) DDR3-1600(AC150)	170	-	150	-	135	-	ps	
	tIS(BASE) DDR3-1866/2133(AC125)	60	-	-	-	-	-	ps	
	tIS(BASE) DDR3L(AC160)	185	-	65	-	-	-	ps	
	tIS(BASE) DDR3L(AC135)	-	-	150	-	-	-	ps	
Command and Address hold time from CK, CK referenced to Vih(dc) / Vil(dc) levels	tIH(BASE) DDR3 DC100	120	-	100	-	95	-	ps	
	tIH(BASE) DDR3L DC90	130	-	110	-	-	-	ps	
Control and Address Input pulse width for each input	tIPW	0.75	-	0.75	-	0.75	-	tCK(avg)	
<b>Calibration Timing</b>									
Power-up and RESET calibration time	tZQINIT	tZQINITmin.: max(512tCK, 640ns) tZQINITmax.: -							
Normal operation Full calibration time	tZQOPER	tZQOPERmin.: max(256tCK, 320ns) tZQOPERmax.: -							
Normal operation Short calibration time	tZQCS	tZQCSmin.: max(64 tCK, 80ns) tZQCSmax.: -							

<b>Reset Timing</b>									
Exit Reset from CKE HIGH to a valid command	tXPR	tXPRmin.: max(5 tCK, tRFC(min) + 10ns) tXPRmax.: -							
<b>Self Refresh Timings</b>									
Exit Self Refresh to commands not requiring a locked DLL	tXS	tXSmin.: max(5 tCK, tRFC (min) + 10ns) tXSmax.: -							
Exit Self Refresh to commands requiring a locked DLL	tXSDLL	tXSDLLmin.: tDLLK(min) tXSDLLmax.: -							nCK
Minimum CKE low width for Self Refresh entry to exit timing	tCKESR	tCKESRmin.: tCKE(min) + 1 tCK tCKESRmax.: -							
Valid Clock Requirement after Self Refresh Entry (SRE) or Power-Down Entry (PDE)	tCKSRE	tCKSREmin.: max(5 tCK, 10 ns) tCKSREmax.: -							
Valid Clock Requirement before Self Refresh Exit (SRX) or Power-Down Exit (PDX) or Reset Exit	tCKSRX	tCKSRXmin.: max(5 tCK, 10 ns) tCKSRXmax.: -							
<b>Power Down Timings</b>									
Exit Power Down with DLL on to any valid command; Exit Precharge Power Down with DLL frozen to commands not requiring a locked DLL	tXP	max(3tCK, 6ns)	-	max(3tCK, 6ns)	-	max(3tCK, 6ns)	-		
CKE minimum pulse width	tCKE	max(3tCK, 5ns)	-	max(3tCK, 5ns)	-	max(3tCK, 5ns)	-		
Exit Precharge Power Down with DLL frozen to commands requiring a locked DLL	tXPDLL	tXPDLLmin.: max(10tCK, 24ns) tXPDLLmax.: -							
Command pass disable delay	tCPDED	tCPDEDmin.: 1 tCPDEDmax.: -	tCPDEDmin.: 2 tCPDEDmax.: -					nCK	
Power Down Entry to Exit Timing	tPD	tPDmin.: tCKE(min) tPDmax.: 9*tREFI							
Timing of ACT command to Power Down entry	tACTPDEN	tACTPDENmin.: 1 tACTPDENmax.: -							nCK
Timing of PRE or PREA command to Power Down entry	tPRPDEN	tPRPDENmin.: 1 tPRPDENmax.: -							nCK
Timing of RD/RDA command to Power Down entry	tRDPDEN	tRDPDENmin.: RL+4+1 tRDPDENmax.: -							nCK
Timing of WR command to Power Down entry (BL8OTF, BL8MRS, BC4OTF)	tWRPDEN	tWRPDENmin.: WL + 4 + (tWR /tCK(avg)) tWRPDENmax.: -							nCK
Timing of WRA command to Power Down entry (BL8OTF, BL8MRS, BC4OTF)	tWRAPDEN	tWRAPDENmin.: WL+4+WR+1 tWRAPDENmax.: -							nCK
Timing of WR command to Power Down entry (BC4MRS)	tWRPDEN	tWRPDENmin.: WL + 2 + (tWR /tCK(avg)) tWRPDENmax.: -							nCK
Timing of WRA command to Power Down entry (BC4MRS)	tWRAPDEN	tWRAPDENmin.: WL + 2 +WR + 1 tWRAPDENmax.: -							nCK
Timing of REF command to Power Down entry	tREFPDEN	tREFPDENmin.: 1 tREFPDENmax.: -							nCK
Timing of MRS command to Power Down entry	tMRSPDEN	tMRSPDENmin.: tMOD(min) tMRSPDENmax.: -							
<b>ODT Timings</b>									
ODT turn on Latency	ODTLon	WL-2=CWL+AL-2							nCK
ODT turn off Latency	ODTLoft	WL-2=CWL+AL-2							nCK
ODT high time without write command or with write command and BC4	ODTH4	ODTH4min.: 4 ODTH4max.: -							nCK
ODT high time with Write command and BL8	ODTH8	ODTH8min.: 6 ODTH8max.: -							nCK
Asynchronous RTT turn-on delay (Power-Down with DLL frozen)	tAONPD	2	8.5	2	8.5	2	8.5	ns	
Asynchronous RTT turn-off delay (Power-Down with DLL frozen)	tAOFDP	2	8.5	2	8.5	2	8.5	ns	
RTT turn-on	tAON	-225	225	-195	195	-180	180	ps	
RTT_Nom and RTT_WR turn-off time from ODTLoft reference	tAOF	0.3	0.7	0.3	0.7	0.3	0.7	tCK(avg)	
RTT dynamic change skew	tADC	0.3	0.7	0.3	0.7	0.3	0.7	tCK(avg)	

Write Leveling Timings								
First DQS/ $\overline{DQS}$ rising edge after write leveling mode is programmed	tWLMRD	40	-	40	-	40	-	nCK
DQS/ $\overline{DQS}$ delay after write leveling mode is programmed	tWLDQSEN	25	-	25	-	25	-	nCK
Write leveling setup time from rising CK, $\overline{CK}$ crossing to rising DQS, $\overline{DQS}$ crossing	tWLS	165	-	140	-	125	-	ps
Write leveling hold time from rising DQS, $\overline{DQS}$ crossing to rising CK, $\overline{CK}$ crossing	tWLH	165	-	140	-	125	-	ps
Write leveling output delay	tWLO	0	7.5	0	7.5	0	7.5	ns
Write leveling output error	tWLOE	0	2	0	2	0	2	ns

## Jitter Notes

### Note 1

Unit “tCK(avg)” represents the actual tCK(avg) of the input clock under operation. Unit “nCK” represents one clock cycle of the input clock, counting the actual clock edges. ex) tMRD=4 [nCK] means; if one Mode Register Set command is registered at Tm, another Mode Register Set command may be registered at Tm+4, even if (Tm+4-Tm) is 4 x tCK(avg) + tERR (4per), min.

### Note 2

These parameters are measured from a command/address signal (CKE,  $\overline{CS}$ ,  $\overline{RAS}$ ,  $\overline{CAS}$ ,  $\overline{WE}$ , ODT, BA0, A0, A1, etc) transition edge to its respective clock signal (CK/ $\overline{CK}$ ) crossing. The spec values are not affected by the amount of clock jitter applied (i.e. tJIT(per), tJIT(cc), etc.), as the setup and hold are relative to the clock signal crossing that latches the command/address. That is, these parameters should be met whether clock jitter is present or not.

### Note 3

These parameters are measured from a data strobe signal (DQS(L/U),  $\overline{DQS(L/U)}$ ) crossing to its respective clock signal (CK,  $\overline{CK}$ ) crossing. The spec values are not affected by the amount of clock jitter applied (i.e. tJIT(per), tJIT(cc), etc), as these are relative to the clock signal crossing. That is, these parameters should be met whether clock jitter is present or not.

### Note 4

These parameters are measured from a data signal (DM(L/U), DQ(L/U)0, DQ(L/U)1, etc.) transition edge to its respective data strobe signal (DQS(L/U),  $\overline{DQS(L/U)}$ ) crossing.

### Note 5

For these parameters, the DDR3(L) SDRAM device supports tnPARAM [nCK] = RU{Tparam[ns] / tCK(avg)[ns]}, which is in clock cycles, assuming all input clock jitter specifications are satisfied.

### Note 6

When the device is operated with input clock jitter, this parameter needs to be derated by the actual tERR (mper), act of the input clock, where 2 <= m <=12. (Output derating is relative to the SDRAM input clock.)

### Note 7

When the device is operated with input clock jitter, this parameter needs to be derated by the actual tJIT(per),act of the input clock. (Output deratings are relative to the SDRAM input clock.)

## Timing Parameter Notes

1. Actual value dependent upon measurement level definitions which are TBD.
2. Commands requiring a locked DLL are: READ ( and RAP) are synchronous ODT commands.
3. The max values are system dependent.
4. WR as programmed in mode register.
5. Value must be rounded-up to next higher integer value.
6. There is no maximum cycle time limit besides the need to satisfy the refresh interval,  $t_{REFI}$ .
7. For definition of RTT-on time  $t_{AON}$  See "Timing Parameters".
8. For definition of RTT-off time  $t_{AOF}$  See "Timing Parameters".
9.  $t_{WR}$  is defined in ns, for calculation of  $t_{WRPDEN}$  it is necessary to round up  $t_{WR}/t_{CK}$  to the next integer.
10. WR in clock cycles are programmed in MR0.
11. The maximum read postamble is bounded by  $t_{DQSCK}(\min)$  plus  $t_{QSH}(\min)$  on the left side and  $t_{HZ}(DQS)\max$  on the right side.
12. Output timing deratings are relative to the SDRAM input clock. When the device is operated with input clock jitter, this parameter needs to be derated by TBD.
13. Value is only valid for RON34.
14. Single ended signal parameter.
15.  $t_{REFI}$  depends on  $T_{OPER}$ .
16.  $t_{IS}(\text{base})$  and  $t_{IH}(\text{base})$  values are for 1V/ns CMD/ADD single-ended slew rate and 2V/ns CK,  $\overline{CK}$  differential slew rate. Note for DQ and DM signals,  $V_{REF}(DC)=V_{refDQ}(DC)$ . For input only pins except RESET,  $V_{ref}(DC)=V_{refCA}(DC)$ .
17.  $t_{DS}(\text{base})$  and  $t_{DH}(\text{base})$  values are for 1V/ns DQ single-ended slew rate and 2V/ns DQS,  $\overline{DQS}$  differential slew rate. Note for DQ and DM signals,  $V_{REF}(DC)=V_{refDQ}(DC)$ . For input only pins except RESET,  $V_{ref}(DC)=V_{refCA}(DC)$ .
18. Start of internal write transaction is defined as follows:
  - For BL8 (fixed by MRS and on-the-fly): Rising clock edge 4 clock cycles after WL.
  - For BC4 (on-the-fly): Rising clock edge 4 clock cycles after WL.
  - For BC4 (fixed by MRS): Rising clock edge 2 clock cycles after WL.
19. The maximum read preamble is bound by  $t_{LZ}(DQS)\min$  on the left side and  $t_{DQSCK}(\max)$  on the right side.
20. CKE is allowed to be registered low while operations such as row activation, precharge, autoprecharge or refresh are in progress, but power-down IDD spec will not be applied until finishing those operations.
21. Although CKE is allowed to be registered LOW after a REFRESH command once  $t_{REFPDEN}(\min)$  is satisfied, there are cases where additional time such as  $t_{XPDLL}(\min)$  is also required.
22. Defined between end of MPR read burst and MRS which reloads MPR or disables MPR function.
23. One ZQCS command can effectively correct a minimum of 0.5% (ZQCorrection) of RON and RTT impedance error within 64

nCK for all speed bins assuming the maximum sensitivities specified in the “Output Driver Voltage and Temperature Sensitivity” and “ODT Voltage and Temperature Sensitivity” tables. The appropriate interval between ZQCS commands can be determined from these tables and other application-specific parameters.

One method for calculating the interval between ZQCS commands, given the temperature (Tdriftrate) and voltage (Vdriftrate) drift rates that the SDRAM is subject to in the application, is illustrated. The interval could be defined by the following formula:  $ZQCorrection / [(TSens \times Tdriftrate) + (VSens \times Vdriftrate)]$  where  $TSens = \max(dRTTdT, dRONdTM)$  and  $VSens = \max(dRTTdV, dRONdVM)$  define the SDRAM temperature and voltage sensitivities.

For example, if  $TSens = 1.5\%/^{\circ}C$ ,  $VSens = 0.15\%/mV$ ,  $Tdriftrate = 1\ ^{\circ}C/sec$  and  $Vdriftrate = 15mV/sec$ , then the interval between ZQCS commands is calculated as  $0.5 / [(1.5 \times 1) + (0.15 \times 15)] = 0.133 \sim 128ms$

24. n = from 13 cycles to 50 cycles. This row defines 38 parameters.
25.  $t_{CH(abs)}$  is the absolute instantaneous clock high pulse width, as measured from one rising edge to the following falling edge.
26.  $t_{CL(abs)}$  is the absolute instantaneous clock low pulse width, as measured from one falling edge to the following rising edge.
27. The  $t_{IS(base)}$  AC150 specifications are adjusted from the  $t_{IS(base)}$  specification by adding an additional 100ps of derating to accommodate for the lower alternate threshold of 150mV and another 25ps to account for the earlier reference point  $[(175mV - 150mV) / 1V/ns]$ .

## Address / Command Setup, Hold, and Derating

For all input signals the total tIS (setup time) and tIH (hold time) required is calculated by adding the data sheet tIS(base) and tIH(base) and tIH(base) value to the delta tIS and delta tIH derating value respectively.

Example: tIS (total setup time) = tIS(base) + delta tIS

Setup (tIS) nominal slew rate for a rising signal is defined as the slew rate between the last crossing of Vref(dc) and the first crossing of VIH(ac)min. Setup (tIS) nominal slew rate for a falling signal is defined as the slew rate between the last crossing of Vref(dc) and the first crossing of VIL(ac)max. If the actual signal is always earlier than the nominal slew rate line between shaded 'Vref(dc) to ac region', use nominal slew rate for derating value. If the actual signal is later than the nominal slew rate line anywhere between shaded 'Vref(dc) to ac region', the slew rate of the tangent line to the actual signal from the ac level to dc level is used for derating value.

Hold (tIH) nominal slew rate for a rising signal is defined as the slew rate between the last crossing of VIL(dc)max and the first crossing of Vref(dc). Hold (tIH) nominal slew rate for a falling signal is defined as the slew rate between the last crossing of VIH(dc)min and the first crossing of Vref(dc). If the actual signal is always later than the nominal slew rate line between shaded 'dc to Vref(dc) region', use nominal slew rate for derating value. If the actual signal is earlier than the nominal slew rate line anywhere between shaded 'dc to Vref(dc) region', the slew rate of a tangent line to the actual signal from the dc level to Vref(dc) level is used for derating value. For a valid transition the input signal has to remain above/below VIH/IL(ac) for some time tVAC. Although for slow slew rates the total setup time might be negative (i.e. a valid input signal will not have reached VIH/IL(ac) at the time of the rising clock transition) a valid input signal is still required to complete the transition and reach VIH/IL(ac).

## ADD/CMD Setup and Hold Base-Values for 1V/ns

Grade	Symbol	Reference	800	1066	1333	1600	1866	2133	Unit	Notes
DDR3	tIS(base) AC175	VIH/L(ac)	200	125	65	45	-	-	ps	1
	tIS(base) AC150	VIH/L(ac)	350	275	190	170	-	-	ps	1
	tIS(base) AC135	VIH/L(ac)	-	-	-	-	65	60	ps	1
	tIS(base) AC125	VIH/L(ac)	-	-	-	-	150	135	ps	1
	tIH(base) DC100	VIH/L(dc)	275	200	140	120	100	95	ps	1
DDR3L	tIS(base) AC160	VIH/L(ac)	-	140	80	60	-	-	ps	1
	tIS(base) AC135	VIH/L(ac)	-	290	205	185	65	-	ps	1,2
	tIS(base) AC125	VIH/L(ac)	-	-	-	-	150	-	ps	1,3
	tIH(base) DC90	VIH/L(ac)	-	210	150	130	110	-	ps	1

NOTE 1 (AC/DC referenced for 1 V/ns Address/Command slew rate and 2 V/ns differential CK-CK̄ slew rate)

NOTE 2 The tIS(base) AC135 specifications are adjusted from the tIS(base) AC160 specification by adding an additional 125 ps for DDR3L-1066 or 100 ps for DDR3L-1333/1600 of derating to accommodate for the lower alternate threshold of 135 mV and another 25 ps to account for the earlier reference point [(160 mV - 135 mV) / 1 V/ns].

NOTE 3 The tIS(base) AC125 specifications are adjusted from the tIS(base) AC135 specification by adding an additional 75 ps for DDR3L-1866 of derating to accommodate for the lower alternate threshold of 135 mV and another 10 ps to account for the earlier reference point [(135 mV - 125 mV) / 1 V/ns].

**Derating values DDR3L-1066/1333/1600 tIS/tIH - AC/DC based AC160 Threshold**

DDR3L AC160 Threshold -> VIH(AC)=VREF(DC)+160 mV, VIL(AC)=VREF(DC)-160 mV																	
		CK, $\overline{CK}$ Differential Slew Rate															
		4.0 V/ns		3.0 V/ns		2.0 V/ns		1.8 V/ns		1.6 V/ns		1.4 V/ns		1.2 V/ns		1.0 V/ns	
		$\Delta t_{IS}$	$\Delta t_{IH}$	$\Delta t_{IS}$	$\Delta t_{IH}$	$\Delta t_{IS}$	$\Delta t_{IH}$	$\Delta t_{IS}$	$\Delta t_{IH}$	$\Delta t_{IS}$	$\Delta t_{IH}$	$\Delta t_{IS}$	$\Delta t_{IH}$	$\Delta t_{IS}$	$\Delta t_{IH}$	$\Delta t_{IS}$	$\Delta t_{IH}$
CMD/ADD Slew rate V/ns	2	80	45	80	45	80	45	88	53	96	61	104	69	112	79	120	95
	1.5	53	30	53	30	53	30	61	38	69	46	77	54	85	64	93	80
	1	0	0	0	0	0	0	8	8	16	16	24	24	32	34	40	50
	0.9	-1	-3	-1	-3	-1	-3	7	5	15	13	23	21	31	31	39	47
	0.8	-3	-8	-3	-8	-3	-8	5	1	13	9	21	17	29	27	37	43
	0.7	-5	-13	-5	-13	-5	-13	3	-5	11	3	19	11	27	21	35	37
	0.6	-8	-20	-8	-20	-8	-20	0	-12	8	-4	16	4	24	14	32	30
	0.5	-20	-30	-20	-30	-20	-30	-12	-22	-4	-14	4	-6	12	4	20	20
	0.4	-40	-45	-40	-45	-40	-45	-32	-37	-24	-29	-16	-21	-8	-11	0	5

**Derating values DDR3L-1066/1333/1600 tIS/tIH - AC/DC based AC135 Threshold**

DDR3L Alternate AC135 Threshold -> VIH(AC)=VREF(DC)+135 mV, VIL(AC)=VREF(DC)-135 mV																	
		CK, $\overline{CK}$ Differential Slew Rate															
		4.0 V/ns		3.0 V/ns		2.0 V/ns		1.8 V/ns		1.6 V/ns		1.4 V/ns		1.2 V/ns		1.0 V/ns	
		$\Delta t_{IS}$	$\Delta t_{IH}$	$\Delta t_{IS}$	$\Delta t_{IH}$	$\Delta t_{IS}$	$\Delta t_{IH}$	$\Delta t_{IS}$	$\Delta t_{IH}$	$\Delta t_{IS}$	$\Delta t_{IH}$	$\Delta t_{IS}$	$\Delta t_{IH}$	$\Delta t_{IS}$	$\Delta t_{IH}$	$\Delta t_{IS}$	$\Delta t_{IH}$
CMD/ADD Slew rate V/ns	2	68	45	68	45	68	45	76	53	84	61	92	69	100	79	108	95
	1.5	45	30	45	30	45	30	53	38	61	46	69	54	77	64	85	80
	1	0	0	0	0	0	0	8	8	16	16	24	24	32	34	40	50
	0.9	2	-3	2	-3	2	-3	10	5	18	13	26	21	34	31	42	47
	0.8	3	-8	3	-8	3	-8	11	1	19	9	27	17	35	27	43	43
	0.7	6	-13	6	-13	6	-13	14	-5	22	3	30	11	38	21	46	37
	0.6	9	-20	9	-20	9	-20	17	-12	25	-4	33	4	41	14	49	30
	0.5	5	-30	5	-30	5	-30	13	-22	21	-14	29	-6	37	4	45	20
	0.4	-3	-45	-3	-45	-3	-45	6	-37	14	-29	22	-21	30	-11	38	5

Derating values DDR3L-1866 tIS/tIH - AC/DC based AC125 Threshold

DDR3L Alternate AC125 Threshold -> VIH(AC)=VREF(DC)+125 mV, VIL(AC)=VREF(DC)-125 mV																	
		CK, $\overline{CK}$ Differential Slew Rate															
		4.0 V/ns		3.0 V/ns		2.0 V/ns		1.8 V/ns		1.6 V/ns		1.4 V/ns		1.2 V/ns		1.0 V/ns	
		$\Delta t_{IS}$	$\Delta t_{IH}$	$\Delta t_{IS}$	$\Delta t_{IH}$	$\Delta t_{IS}$	$\Delta t_{IH}$	$\Delta t_{IS}$	$\Delta t_{IH}$	$\Delta t_{IS}$	$\Delta t_{IH}$	$\Delta t_{IS}$	$\Delta t_{IH}$	$\Delta t_{IS}$	$\Delta t_{IH}$	$\Delta t_{IS}$	$\Delta t_{IH}$
CMD/ADD Slew rate V/ns	2	63	45	63	45	63	45	71	53	79	61	87	69	95	79	103	95
	1.5	42	30	42	30	42	30	50	38	58	46	66	54	74	64	82	80
	1	0	0	0	0	0	0	8	8	16	16	24	24	32	34	40	50
	0.9	3	-3	3	-3	3	-3	11	5	19	13	27	21	35	31	43	47
	0.8	6	-8	6	-8	6	-8	14	1	22	9	30	17	38	27	46	43
	0.7	10	-13	10	-13	10	-13	18	-5	26	3	34	11	42	21	50	37
	0.6	16	-20	16	-20	16	-20	24	-12	32	4	40	-4	48	14	56	30
	0.5	15	-30	15	-30	15	-30	23	-22	31	-14	39	-6	47	4	55	20
	0.4	13	-45	13	-45	13	-45	21	-37	29	-29	37	-21	45	-11	53	5

Derating values DDR3-800/1066/1333/1600 tIS/tIH - AC/DC based AC175 Threshold

DDR3 AC175 Threshold -> VIH(ac)=VREF(dc)+175mV, VIL(ac)=VREF(dc)-175mV																	
		CK, $\overline{CK}$ Differential Slew Rate															
		4.0 V/ns		3.0 V/ns		2.0 V/ns		1.8 V/ns		1.6 V/ns		1.4 V/ns		1.2 V/ns		1.0 V/ns	
		$\Delta t_{IS}$	$\Delta t_{IH}$	$\Delta t_{IS}$	$\Delta t_{IH}$	$\Delta t_{IS}$	$\Delta t_{IH}$	$\Delta t_{IS}$	$\Delta t_{IH}$	$\Delta t_{IS}$	$\Delta t_{IH}$	$\Delta t_{IS}$	$\Delta t_{IH}$	$\Delta t_{IS}$	$\Delta t_{IH}$	$\Delta t_{IS}$	$\Delta t_{IH}$
CMD/ADD Slew rate V/ns	2	88	50	88	50	88	50	96	58	104	66	112	74	120	84	128	100
	1.5	59	34	59	34	59	34	67	42	75	50	83	58	91	68	99	84
	1	0	0	0	0	0	0	8	8	16	16	24	24	32	34	40	50
	0.9	-2	-4	-2	-4	-2	-4	6	4	14	12	22	20	30	30	38	46
	0.8	-6	-10	-6	-10	-6	-10	2	-2	10	6	18	14	26	24	34	40
	0.7	-11	-16	-11	-16	-11	-16	-3	-8	5	0	13	8	21	18	29	34
	0.6	-17	-26	-17	-26	-17	-26	-9	-18	-1	-10	7	-2	15	8	23	24
	0.5	-35	-40	-35	-40	-35	-40	-27	-32	-19	-24	-11	-16	-2	-6	5	10
	0.4	-62	-60	-62	-60	-62	-60	-54	-52	-46	-44	-38	-36	-30	-26	-22	-10



**Derating values DDR3-800/1066/1333/1600 tIS/tIH - AC/DC based AC150 Threshold**

DDR3 Alternate AC150 Threshold -> $V_{IH}(ac)=V_{REF}(dc)+150mV$ , $V_{IL}(ac)=V_{REF}(dc)-150mV$																	
		CK, $\overline{CK}$ Differential Slew Rate															
		4.0 V/ns		3.0 V/ns		2.0 V/ns		1.8 V/ns		1.6 V/ns		1.4 V/ns		1.2 V/ns		1.0 V/ns	
		$\Delta t_{IS}$	$\Delta t_{IH}$	$\Delta t_{IS}$	$\Delta t_{IH}$	$\Delta t_{IS}$	$\Delta t_{IH}$	$\Delta t_{IS}$	$\Delta t_{IH}$	$\Delta t_{IS}$	$\Delta t_{IH}$	$\Delta t_{IS}$	$\Delta t_{IH}$	$\Delta t_{IS}$	$\Delta t_{IH}$	$\Delta t_{IS}$	$\Delta t_{IH}$
CMD/ADD Slew rate V/ns	2	75	50	75	50	75	50	83	58	91	66	99	74	107	84	115	100
	1.5	50	34	50	34	50	34	58	42	66	50	74	58	82	68	90	84
	1	0	0	0	0	0	0	8	8	16	16	24	24	32	34	40	50
	0.9	0	-4	0	-4	0	-4	8	4	16	12	24	20	32	30	40	46
	0.8	0	-10	0	-10	0	-10	8	-2	16	6	24	14	32	24	40	40
	0.7	0	-16	0	-16	0	-16	8	-8	16	0	24	8	32	18	40	34
	0.6	-1	-26	-1	-26	-1	-26	7	-18	15	-10	23	-2	31	8	39	24
	0.5	-10	-40	-10	-40	-10	-40	-2	-32	6	-24	14	-16	22	-6	30	10
0.4	-25	-60	-25	-60	-25	-60	-17	-52	-9	-44	-1	-36	7	-26	15	-10	

**Derating values DDR3-1866 tIS/tIH - AC/DC based AC135 Threshold**

DDR3 Alternate AC135 Threshold -> $V_{IH}(ac)=V_{REF}(dc)+135mV$ , $V_{IL}(ac)=V_{REF}(dc)-135mV$																	
		CK, $\overline{CK}$ Differential Slew Rate															
		4.0 V/ns		3.0 V/ns		2.0 V/ns		1.8 V/ns		1.6 V/ns		1.4 V/ns		1.2 V/ns		1.0 V/ns	
		$\Delta t_{IS}$	$\Delta t_{IH}$	$\Delta t_{IS}$	$\Delta t_{IH}$	$\Delta t_{IS}$	$\Delta t_{IH}$	$\Delta t_{IS}$	$\Delta t_{IH}$	$\Delta t_{IS}$	$\Delta t_{IH}$	$\Delta t_{IS}$	$\Delta t_{IH}$	$\Delta t_{IS}$	$\Delta t_{IH}$	$\Delta t_{IS}$	$\Delta t_{IH}$
CMD/ADD Slew rate V/ns	2	68	50	68	50	68	50	76	58	84	66	92	74	100	84	108	100
	1.5	45	34	45	34	45	34	53	42	61	50	69	58	77	68	85	84
	1	0	0	0	0	0	0	8	8	16	16	24	24	32	34	40	50
	0.9	2	-4	2	-4	2	-4	10	4	18	12	26	20	34	30	42	46
	0.8	3	-10	3	-10	3	-10	11	-2	19	6	27	14	35	24	43	40
	0.7	6	-16	6	-16	6	-16	14	-8	22	0	30	8	38	18	46	34
	0.6	9	-26	9	-26	9	-26	17	-18	25	-10	33	-2	41	8	49	24
	0.5	5	-40	5	-40	5	-40	13	-32	21	-24	29	-16	37	-6	45	10
0.4	-3	-60	-3	-60	-3	-60	6	-52	14	-44	22	-36	30	-26	38	-10	

**Derating values DDR3-1866 tIS/tIH - AC/DC based AC125 Threshold**

DDR3 Alternate AC125 Threshold -> VIH(ac)=VREF(dc)+125mV, VIL(ac)=VREF(dc)-125mV																	
		CK, $\overline{CK}$ Differential Slew Rate															
		4.0 V/ns		3.0 V/ns		2.0 V/ns		1.8 V/ns		1.6 V/ns		1.4 V/ns		1.2 V/ns		1.0 V/ns	
		$\Delta t_{IS}$	$\Delta t_{IH}$	$\Delta t_{IS}$	$\Delta t_{IH}$	$\Delta t_{IS}$	$\Delta t_{IH}$	$\Delta t_{IS}$	$\Delta t_{IH}$	$\Delta t_{IS}$	$\Delta t_{IH}$	$\Delta t_{IS}$	$\Delta t_{IH}$	$\Delta t_{IS}$	$\Delta t_{IH}$	$\Delta t_{IS}$	$\Delta t_{IH}$
CMD/ADD Slew rate V/ns	2	63	50	63	50	63	50	71	58	79	66	87	74	95	84	103	100
	1.5	42	34	42	34	42	34	50	42	58	50	66	58	74	68	82	84
	1	0	0	0	0	0	0	8	8	16	16	24	24	32	34	40	50
	0.9	4	-4	4	-4	4	-4	12	4	20	12	28	20	36	30	44	46
	0.8	6	-10	6	-10	6	-10	14	-2	22	6	30	14	38	24	46	40
	0.7	11	-16	11	-16	11	-16	19	-8	27	0	35	8	43	18	51	34
	0.6	16	-26	16	-26	16	-26	24	-18	32	-10	40	-2	48	8	56	24
	0.5	15	-40	15	-40	15	-40	23	-32	31	-24	39	-16	47	-6	55	10
	0.4	13	-60	13	-60	13	-60	21	-52	29	-44	37	-36	45	-26	53	-10

**Required time  $t_{VAC}$  above  $V_{IH}(AC)$  {below  $V_{IL}(AC)$ } for ADD/CMD transition**

Slew Rate [V/ns]	DDR3				DDR3L				Unit
	800/1066/1333/1600		1866/2133		1066/1333/1600		1866		
	175mV [ps]	150mV[ps]	135mV [ps]	125mV [ps]	160 mV [ps]	135 mV [ps]	135 mV [ps]	125 mV [ps]	
<b>&gt; 2.0</b>	75	175	168	173	200	213	200	205	ps
<b>2.0</b>	57	170	168	173	200	213	200	205	ps
<b>1.5</b>	50	167	145	152	173	190	178	184	ps
<b>1.0</b>	38	130	100	110	120	145	133	143	ps
<b>0.9</b>	34	113	85	96	102	130	118	129	ps
<b>0.8</b>	29	93	66	79	80	111	99	111	ps
<b>0.7</b>	22	66	42	56	51	87	75	89	ps
<b>0.6</b>	note	30	10	27	13	55	43	59	ps
<b>0.5</b>	note	note	note	note	Note	10	Note	18	ps
<b>&lt;0.5</b>	note	note	note	note	Note	10	Note	18	ps

NOTE Rising input signal shall become equal to or greater than  $V_{IH}(ac)$  level and falling input signal shall become equal to or less than  $V_{IL}(ac)$  level.

## Data Setup, Hold, and Slew Rate De-rating

For all input signals the total tDS (setup time) and tDH (hold time) required is calculated by adding the data sheet tDS(base) and tDH(base) value to the delta tDS and delta tDH derating value respectively.

Example: tDS (total setup time) = tDS(base) + delta tDS

Setup (tDS) nominal slew rate for a rising signal is defined as the slew rate between the last crossing of Vref(dc) and the first crossing of VIH(ac)min. Setup (tDS) nominal slew rate for a falling signal is defined as the slew rate between the last crossing of Vref(dc) and the first crossing of VIL(ac)max. If the actual signal is always earlier than the nominal slew rate line between shaded 'Vref(dc) to ac region', use nominal slew rate for derating value. If the actual signal is later than the nominal slew rate line anywhere between shaded 'Vref(dc) to ac region', the slew rate of the tangent line to the actual signal from the ac level to dc level is used for derating value.

Hold (tDH) nominal slew rate for a rising signal is defined as the slew rate between the last crossing of VIL(dc)max and the first crossing of Vref(dc). Hold (tDH) nominal slew rate for a falling signal is defined as the slew rate between the last crossing of VIH(dc)min and the first crossing of Vref(dc). If the actual signal is always later than the nominal slew rate line between shaded 'dc level to Vref(dc) region', use nominal slew rate for derating value. If the actual signal is earlier than the nominal slew rate line anywhere between shaded 'dc to Vref(dc) region', the slew rate of a tangent line to the actual signal from the dc level to Vref(dc) level is used for derating value.

For a valid transition the input signal has to remain above/below VIH/IL(ac) for some time tVAC.

Although for slow slew rates the total setup time might be negative (i.e. a valid input signal will not have reached VIH/IL(ac) at the time of the rising clock transition) a valid input signal is still required to complete the transition and reach VIH/IL(ac).

For slew rates in between the values listed in the following tables, the derating values may be obtained by linear interpolation. These values are typically not subject to production test. They are verified by design and characterization.

### Derating values DDR3L-1066 tDS/tDH - AC/DC based AC160 Threshold

DDR3L AC160 Threshold -> VIH(AC)=VREF(DC)+160mV, VIL(AC)=VREF(DC)-160mV																		
		DQS, $\overline{DQS}$ Differential Slew Rate																
		4.0 V/ns		3.0 V/ns		2.0 V/ns		1.8 V/ns		1.6 V/ns		1.4 V/ns		1.2 V/ns		1.0 V/ns		
		$\Delta t_{DS}$	$\Delta t_{DH}$	$\Delta t_{DS}$	$\Delta t_{DH}$	$\Delta t_{DS}$	$\Delta t_{DH}$	$\Delta t_{DS}$	$\Delta t_{DH}$	$\Delta t_{DS}$	$\Delta t_{DH}$	$\Delta t_{DS}$	$\Delta t_{DH}$	$\Delta t_{DS}$	$\Delta t_{DH}$	$\Delta t_{DS}$	$\Delta t_{DH}$	
DQ Slew rate V/ns	2	80	45	80	45	80	45	-	-	-	-	-	-	-	-	-	-	
	1.5	53	30	53	30	53	30	61	38	-	-	-	-	-	-	-	-	
	1	0	0	0	0	0	0	8	8	16	16	-	-	-	-	-	-	
	0.9	-	-	-1	-3	-1	-3	7	5	15	13	23	21	-	-	-	-	
	0.8	-	-	-	-	-3	-8	5	1	13	9	21	17	29	27	-	-	
	0.7	-	-	-	-	-	-	3	-5	11	3	19	11	27	21	35	37	
	0.6	-	-	-	-	-	-	-	-	8	-4	16	4	24	14	32	30	
	0.5	-	-	-	-	-	-	-	-	-	-	-	4	-6	12	4	20	20
	0.4	-	-	-	-	-	-	-	-	-	-	-	-	-	-8	-11	0	5

NOTE1: Cell contents shaded in gray are defined as 'not supported'.



Derating values DDR3L- 1066/1333/1600 tDS/tDH - AC/DC based AC135/ Threshold

**DDR3L Alternate AC135 Threshold -> VIH(AC)=VREF(DC)+135mV, VIL(AC)=VREF(DC)-135mV**

		DQS, $\overline{DQS}$ Differential Slew Rate															
		4.0 V/ns		3.0 V/ns		2.0 V/ns		1.8 V/ns		1.6 V/ns		1.4 V/ns		1.2 V/ns		1.0 V/ns	
		$\Delta t_{DS}$	$\Delta t_{DH}$	$\Delta t_{DS}$	$\Delta t_{DH}$	$\Delta t_{DS}$	$\Delta t_{DH}$	$\Delta t_{DS}$	$\Delta t_{DH}$	$\Delta t_{DS}$	$\Delta t_{DH}$	$\Delta t_{DS}$	$\Delta t_{DH}$	$\Delta t_{DS}$	$\Delta t_{DH}$	$\Delta t_{DS}$	$\Delta t_{DH}$
DQ Slew rate V/ns	2	68	45	68	45	68	45	-	-	-	-	-	-	-	-	-	-
	1.5	45	30	45	30	45	30	53	38	-	-	-	-	-	-	-	-
	1	0	0	0	0	0	0	8	8	16	16	-	-	-	-	-	-
	0.9	-	-	2	-3	2	-3	10	5	18	13	26	21	-	-	-	-
	0.8	-	-	-	-	3	-8	11	1	19	9	27	17	35	27	-	-
	0.7	-	-	-	-	-	-	14	-5	22	3	30	11	38	21	46	37
	0.6	-	-	-	-	-	-	-	-	25	-4	33	4	41	14	49	30
	0.5	-	-	-	-	-	-	-	-	-	-	29	-6	37	4	45	20
	0.4	-	-	-	-	-	-	-	-	-	-	-	-	30	-11	38	5

NOTE1: Cell contents shaded in gray are defined as 'not supported'.

Derating values DDR3L- 1866 tDS/tDH - AC/DC based AC130 Threshold

**DDR3L Alternate AC130 Threshold -> VIH(AC)=VREF(DC)+130mV, VIL(AC)=VREF(DC)-130mV**

		DQS, $\overline{DQS}$ Differential Slew Rate																							
		8.0 V/ns		7.0 V/ns		6.0 V/ns		5.0 V/ns		4.0 V/ns		3.0 V/ns		2.0 V/ns		1.8 V/ns		1.6 V/ns		1.4 V/ns		1.2 V/ns		1.0 V/ns	
		$\Delta t_{DS}$	$\Delta t_{DH}$	$\Delta t_{DS}$	$\Delta t_{DH}$	$\Delta t_{DS}$	$\Delta t_{DH}$	$\Delta t_{DS}$	$\Delta t_{DH}$	$\Delta t_{DS}$	$\Delta t_{DH}$	$\Delta t_{DS}$	$\Delta t_{DH}$	$\Delta t_{DS}$	$\Delta t_{DH}$	$\Delta t_{DS}$	$\Delta t_{DH}$	$\Delta t_{DS}$	$\Delta t_{DH}$	$\Delta t_{DS}$	$\Delta t_{DH}$	$\Delta t_{DS}$	$\Delta t_{DH}$	$\Delta t_{DS}$	$\Delta t_{DH}$
DQ Slew rate V/ns	4	33	23	33	23	33	23	-	-	-	-	-	-	-	-	-	-	-	-	-	-	-	-	-	
	3.5	28	19	28	19	28	19	28	19	-	-	-	-	-	-	-	-	-	-	-	-	-	-	-	
	3	22	15	22	15	22	15	22	15	22	15	-	-	-	-	-	-	-	-	-	-	-	-	-	
	2.5	-	-	13	9	13	9	13	9	13	9	13	9	-	-	-	-	-	-	-	-	-	-	-	
	2	-	-	-	-	0	0	0	0	0	0	0	0	0	0	-	-	-	-	-	-	-	-	-	
	1.5	-	-	-	-	-	-	-22	-15	-22	-15	-22	-15	-22	-15	-14	-7	-	-	-	-	-	-	-	
	1	-	-	-	-	-	-	-	-	-65	-45	-65	-45	-65	-45	-57	-37	-49	-29	-	-	-	-	-	
	0.9	-	-	-	-	-	-	-	-	-	-	-62	-48	-62	-48	-54	-40	-46	-32	-38	-24	-	-	-	
	0.8	-	-	-	-	-	-	-	-	-	-	-	-	-61	-53	-53	-45	-45	-37	-37	-29	-29	-19	-	
	0.7	-	-	-	-	-	-	-	-	-	-	-	-	-	-	-49	-50	-41	-42	-33	-34	-25	-24	-17	
	0.6	-	-	-	-	-	-	-	-	-	-	-	-	-	-	-	-	-37	-49	-29	-41	-21	-31	-13	
0.5	-	-	-	-	-	-	-	-	-	-	-	-	-	-	-	-	-	-	-31	-51	-23	-41	-15		
0.4	-	-	-	-	-	-	-	-	-	-	-	-	-	-	-	-	-	-	-	-	-28	-56	-20		

NOTE1: Cell contents shaded in gray are defined as 'not supported'.

**Derating values DDR3- 800/1066 tDS/tDH - AC/DC based AC175 Threshold**

DDR3 AC175 Threshold																	
		DQS, $\overline{DQS}$ Differential Slew Rate															
		4.0 V/ns		3.0 V/ns		2.0 V/ns		1.8 V/ns		1.6 V/ns		1.4 V/ns		1.2 V/ns		1.0 V/ns	
		$\Delta tDS$	$\Delta tDH$	$\Delta tDS$	$\Delta tDH$	$\Delta tDS$	$\Delta tDH$	$\Delta tDS$	$\Delta tDH$	$\Delta tDS$	$\Delta tDH$	$\Delta tDS$	$\Delta tDH$	$\Delta tDS$	$\Delta tDH$	$\Delta tDS$	$\Delta tDH$
DQ Slew rate V/ns	2	88	50	88	50	88	50	-	-	-	-	-	-	-	-	-	-
	1.5	59	34	59	34	59	34	67	42	-	-	-	-	-	-	-	-
	1	0	0	0	0	0	0	8	8	16	16	-	-	-	-	-	-
	0.9	-	-	-2	-4	-2	-4	6	4	14	12	22	20	-	-	-	-
	0.8	-	-	-	-	-6	-10	2	-2	10	6	18	14	26	24	-	-
	0.7	-	-	-	-	-	-	-3	-8	5	0	13	8	21	18	29	34
	0.6	-	-	-	-	-	-	-	-	-1	-10	7	-2	15	8	23	24
	0.5	-	-	-	-	-	-	-	-	-	-	-11	-16	-2	-6	5	10
	0.4	-	-	-	-	-	-	-	-	-	-	-	-	-30	-26	-22	-10

NOTE1: Cell contents shaded in gray are defined as 'not supported'.

**Derating values DDR3- 800/1066/1333/1600 tDS/tDH - AC/DC based AC150 Threshold**

DDR3 AC150 Threshold																	
		DQS, $\overline{DQS}$ Differential Slew Rate															
		4.0 V/ns		3.0 V/ns		2.0 V/ns		1.8 V/ns		1.6 V/ns		1.4 V/ns		1.2 V/ns		1.0 V/ns	
		$\Delta tDS$	$\Delta tDH$	$\Delta tDS$	$\Delta tDH$	$\Delta tDS$	$\Delta tDH$	$\Delta tDS$	$\Delta tDH$	$\Delta tDS$	$\Delta tDH$	$\Delta tDS$	$\Delta tDH$	$\Delta tDS$	$\Delta tDH$	$\Delta tDS$	$\Delta tDH$
DQ Slew rate V/ns	2	75	50	75	50	75	50	-	-	-	-	-	-	-	-	-	-
	1.5	50	34	50	34	50	34	58	42	-	-	-	-	-	-	-	-
	1	0	0	0	0	0	0	8	8	16	16	-	-	-	-	-	-
	0.9	-	-	0	-4	0	-4	8	4	16	12	24	20	-	-	-	-
	0.8	-	-	-	-	0	-10	8	-2	16	6	24	14	32	24	-	-
	0.7	-	-	-	-	-	-	8	-8	16	0	24	8	32	18	40	34
	0.6	-	-	-	-	-	-	-	-	15	-10	23	-2	31	8	39	24
	0.5	-	-	-	-	-	-	-	-	-	-	14	-16	22	-6	30	10
	0.4	-	-	-	-	-	-	-	-	-	-	-	-	7	-26	15	-10

NOTE1: Cell contents shaded in gray are defined as 'not supported'.

**Derating values DDR3- 1866 tDS/tDH - AC/DC based AC135 Threshold**

DDR3																									
Alternate AC135 Threshold -> $V_{IH}(ac)=V_{REF}(dc)+135mV$ , $V_{IL}(ac)=V_{REF}(dc)-135mV$																									
Alternate DC100 Threshold -> $V_{IH}(dc)=V_{REF}(dc)+100mV$ , $V_{IL}(dc)=V_{REF}(dc)-100mV$																									
		DQS, $\overline{DQS}$ Differential Slew Rate																							
		8.0 V/ns		7.0 V/ns		6.0 V/ns		5.0 V/ns		4.0 V/ns		3.0 V/ns		2.0 V/ns		1.8 V/ns		1.6 V/ns		1.4 V/ns		1.2 V/ns		1.0 V/ns	
		$\Delta t_{DS}$	$\Delta t_{DH}$	$\Delta t_{DS}$	$\Delta t_{DH}$	$\Delta t_{DS}$	$\Delta t_{DH}$	$\Delta t_{DS}$	$\Delta t_{DH}$	$\Delta t_{DS}$	$\Delta t_{DH}$	$\Delta t_{DS}$	$\Delta t_{DH}$	$\Delta t_{DS}$	$\Delta t_{DH}$	$\Delta t_{DS}$	$\Delta t_{DH}$	$\Delta t_{DS}$	$\Delta t_{DH}$	$\Delta t_{DS}$	$\Delta t_{DH}$	$\Delta t_{DS}$	$\Delta t_{DH}$	$\Delta t_{DS}$	$\Delta t_{DH}$
DQ Slew rate V/ns	4	34	25	34	25	34	25	-	-	-	-	-	-	-	-	-	-	-	-	-	-	-	-	-	
	3.5	29	21	29	21	29	21	29	21	-	-	-	-	-	-	-	-	-	-	-	-	-	-	-	
	3	23	17	23	17	23	17	23	17	23	17	-	-	-	-	-	-	-	-	-	-	-	-	-	
	2.5	-	-	14	10	14	10	14	10	14	10	14	10	-	-	-	-	-	-	-	-	-	-	-	
	2	-	-	-	-	0	0	0	0	0	0	0	0	0	0	0	-	-	-	-	-	-	-	-	
	1.5	-	-	-	-	-	-	-23	-17	-23	-17	-23	-17	-23	-17	-15	-9	-	-	-	-	-	-	-	
	1	-	-	-	-	-	-	-	-	-68	-50	-68	-50	-68	-50	-60	-42	-52	-34	-	-	-	-	-	
	0.9	-	-	-	-	-	-	-	-	-	-66	-54	-66	-54	-58	-46	-50	-38	-42	-30	-	-	-	-	
	0.8	-	-	-	-	-	-	-	-	-	-	-	-	-64	-60	-56	-52	-48	-44	-40	-36	-32	-26	-	
	0.7	-	-	-	-	-	-	-	-	-	-	-	-	-	-	-53	-59	-45	-51	-37	-43	-29	-33	-21	
0.6	-	-	-	-	-	-	-	-	-	-	-	-	-	-	-	-	-43	-61	-35	-53	-27	-43	-19		
0.5	-	-	-	-	-	-	-	-	-	-	-	-	-	-	-	-	-	-	-39	-66	-31	-56	-23		
0.4	-	-	-	-	-	-	-	-	-	-	-	-	-	-	-	-	-	-	-	-	-38	-76	-30		

NOTE1: Cell contents shaded in gray are defined as 'not supported'.

**Derating values DDR3- 800/1066/1333/1600 tDS/tDH - AC/DC based AC135 Threshold**

DDR3																	
Alternate AC135 Threshold -> $V_{IH}(ac)=V_{REF}(dc)+135mV$ , $V_{IL}(ac)=V_{REF}(dc)-135mV$																	
Alternate DC100 Threshold -> $V_{IH}(dc)=V_{REF}(dc)+100mV$ , $V_{IL}(dc)=V_{REF}(dc)-100mV$																	
		DQS, $\overline{DQS}$ Differential Slew Rate															
		4.0 V/ns		3.0 V/ns		2.0 V/ns		1.8 V/ns		1.6 V/ns		1.4 V/ns		1.2 V/ns		1.0 V/ns	
		$\Delta t_{DS}$	$\Delta t_{DH}$	$\Delta t_{DS}$	$\Delta t_{DH}$	$\Delta t_{DS}$	$\Delta t_{DH}$	$\Delta t_{DS}$	$\Delta t_{DH}$	$\Delta t_{DS}$	$\Delta t_{DH}$	$\Delta t_{DS}$	$\Delta t_{DH}$	$\Delta t_{DS}$	$\Delta t_{DH}$	$\Delta t_{DS}$	$\Delta t_{DH}$
DQ Slew rate V/ns	2	68	50	68	50	68	50	-	-	-	-	-	-	-	-	-	-
	1.5	45	34	45	34	45	34	53	42	-	-	-	-	-	-	-	-
	1	0	0	0	0	0	0	8	8	16	16	-	-	-	-	-	-
	0.9	-	-	2	-4	2	-4	10	4	18	12	26	20	-	-	-	-
	0.8	-	-	-	-	3	-10	11	-2	19	6	27	14	35	24	-	-
	0.7	-	-	-	-	-	-	14	-8	22	0	30	8	38	18	46	34
	0.6	-	-	-	-	-	-	-	-	25	-10	33	-2	41	8	49	24
	0.5	-	-	-	-	-	-	-	-	-	-	29	-16	37	-6	45	10
0.4	-	-	-	-	-	-	-	-	-	-	-	-	30	-26	38	-10	

NOTE1: Cell contents shaded in gray are defined as 'not supported'.

**Required time  $t_{VAC}$  above  $V_{IH}(AC)$  {below  $V_{IL}(AC)$ } for DQ transition**

Slew Rate [V/ns]	DDR3					DDR3L			Unit
	800/1066	800/1066/ 1333/1600	800/1066/ 1333/1600	1866	2133	1066	1066/1333 /1600	1866	
	175mV [ps]	150mV[ps]	135mV [ps]	135mV [ps]	135 mV [ps]	160 mV [ps]	135 mV [ps]	130 mV [ps]	
<b>&gt; 2.0</b>	75	105	113	93	73	165	113	95	ps
<b>2.0</b>	57	105	113	93	73	165	113	95	ps
<b>1.5</b>	50	80	90	70	50	138	90	73	ps
<b>1.0</b>	38	30	45	25	5	85	45	30	ps
<b>0.9</b>	34	13	30	Note	Note	67	30	16	ps
<b>0.8</b>	29	Note	11	Note	Note	45	11	Note	ps
<b>0.7</b>	Note	Note	Note	-	-	16	Note	-	ps
<b>0.6</b>	Note	Note	Note	-	-	Note	Note	-	ps
<b>0.5</b>	Note	Note	Note	-	-	Note	Note	-	ps
<b>&lt;0.5</b>	Note	Note	Note	-	-	Note	Note	-	ps

NOTE Rising input signal shall become equal to or greater than  $V_{IH}(ac)$  level and falling input signal shall become equal to or less than  $V_{IL}(ac)$  level.





### Revision History

Version	Page	Modified	Description	Released
1.2	All		Official Release	01/2018



<http://www.nanya.com/>